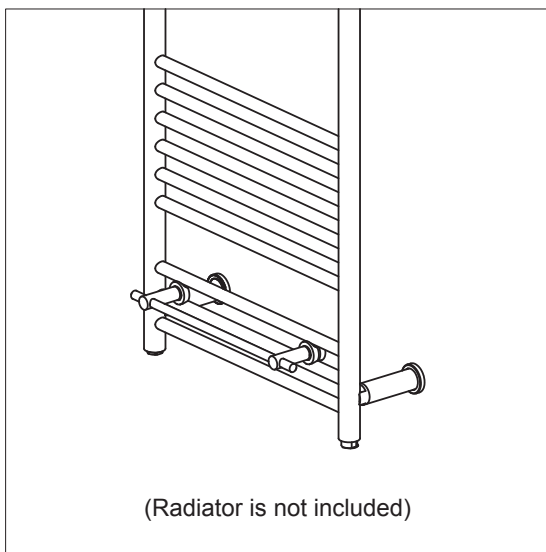


## Radiator Towel Rack Instructions

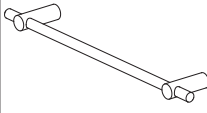

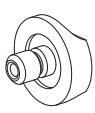
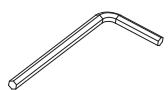
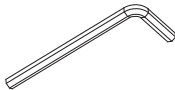


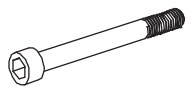


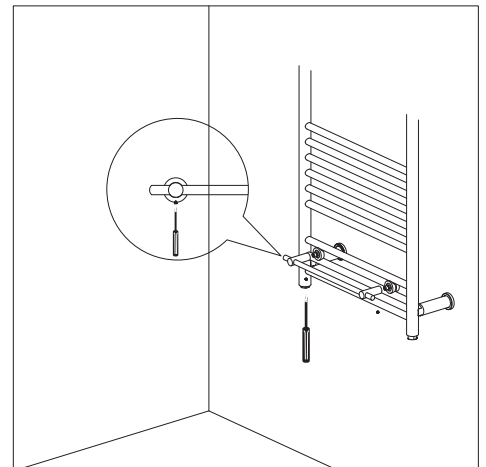
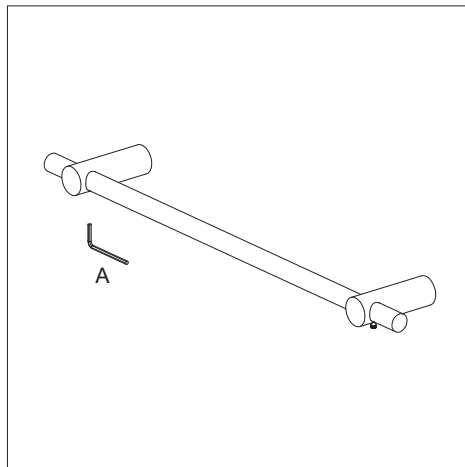
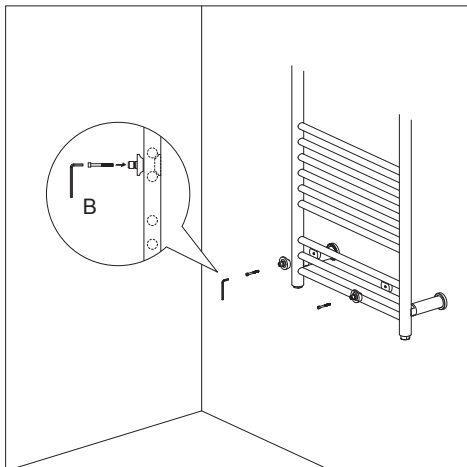
Thank you for purchasing our product. For the safety and the best result of using this product, please read this instruction carefully before installation.

### Completion Diagram



### Accessories

 X1	 X2	 X2	A (SH2.5)  X1
B (SH4)  X1	 X2	 X2	 X2



1. Select the desired two bars on the radiator to fix the towel holder. Put the Back Brackets on the back of the radiator bar and feed the bolt through the front bracket. Then use the Allen Key B to tighten the bolt to secure the bracket.

2. Use the Allan Key A to loosen the screws underneath the Towel Rack holder. Adjust the width of the two holders to align with the width of the towel holder.

3. Place the two holders of the Towel Rack over the two brackets. Use the Allan Key A to tighten the screws on both of the holder and bracket side to secure.



**Caution:** This Radiator Towel Rack is for towels and light items only. The maximum holding weight is 5kg on each rack.