



MAXFREE

T2 USER'S GUIDE



Pay attention to the switching sequence of the screen

1. Please install the included display driver provided. Briefly turning off your anti-virus software to allow the installation may be required.
2. Ensure that all connected cables are secure and not loose before usage.
3. The required sustained power for this product is 10W. Please confirm that the laptops USB-C or USB-A port can sustain 10W (5V/2A).

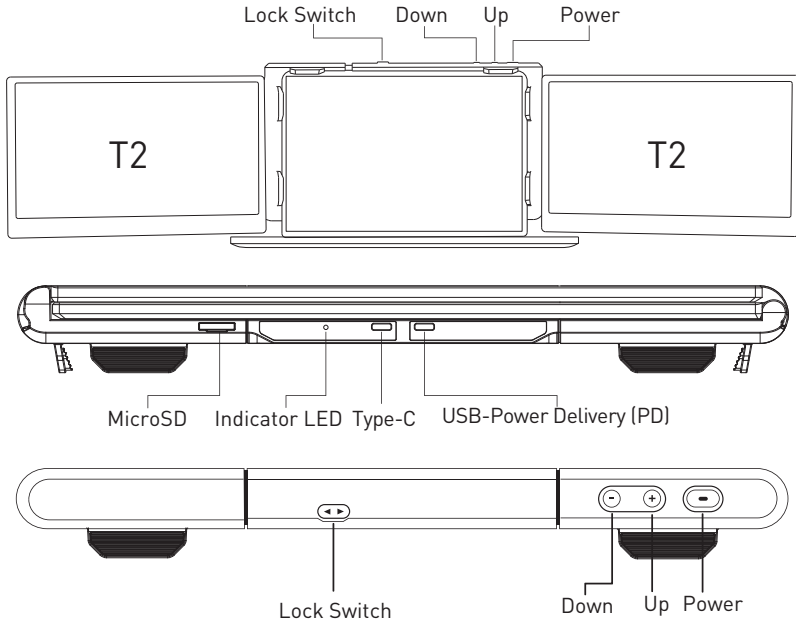
Windows

Mac

Contents

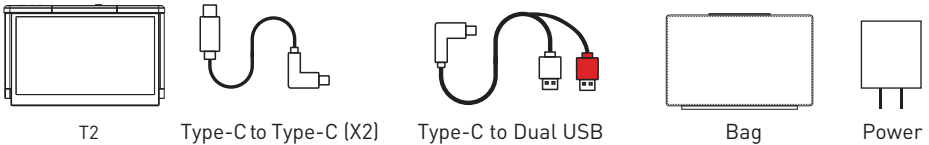
Product Contents	1
Installation and Storage	
1. Unfolding Sequence	2
2. Releasing the Holding Clamp	2
3. Using the Kickstand	3
4. Connecting the T2	3
5. Driver Installation for Laptops	4
6. Driver Installation for Mobile Phones	5
7. Disassemble the T2	5
8. Cable Connection Methods if Additional Power is Required	6
Display Settings for Win10/MacOS	
1. Windows 10 Display Settings and Configuration	7
2. MacOS Display Settings and Configuration	8
3. MacOS Monterey Display Settings and Configuration	9
OSD Settings	
1. Button Operation Guide	10
2. Transportation, Storage and Use Requirements	11
Question & Answer	12

Product Contents



Note: The indicator LED turns red when the device is powered on, and turns blue when the device receives a signal.

Product Accessories



T2

Type-C to Type-C (X2)

Type-C to Dual USB

Bag

Power

Specifications

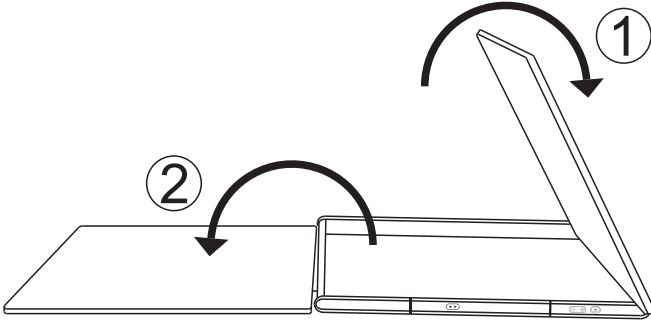
Weight:	3.7 lbs	Contrast Ratio:	1000:1
Aspect Ratio:	16:9	Screen Size:	13.3"
Size:	13.4" x 8.4" x 1.6"	Type-C Input:	5-20V /3.5A MAX
Refresh Rate:	60Hz	Type-C Output:	5-20V /3A MAX
Resolution:	1920x1080p	I/O Ports:	Type-C + microSD

Carefully check package contents, if anything is missing or damaged, please contact Maxfree customer service for support: support@maxfree.com

Installation and Storage

1. Unfolding Sequence

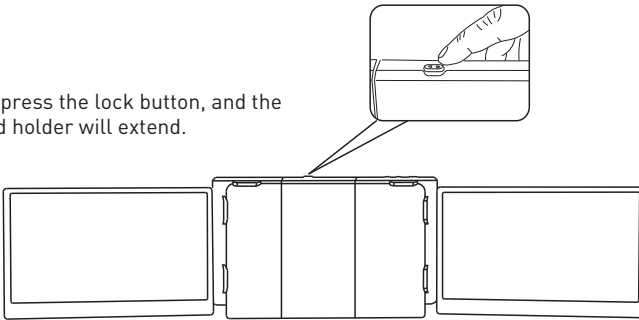
Take it out of the package, find the end with the "+" and "-" signs facing us, with the screen facing up, first slowly open the right screen, and then slowly open the left screen (note: the order should not be confused, otherwise the screen will be damaged)



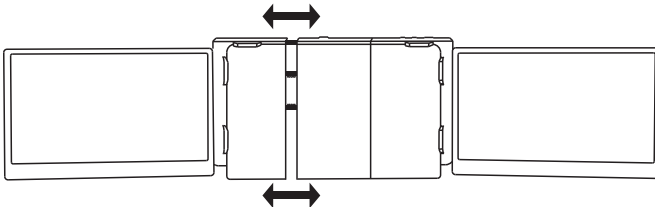
2. Releasing the Holding Clamp

Press the Lock Switch button (two small triangular icons), the T2 screen will pop up directly, and then adjust T2 to a suitable size.

Note: Lightly press the lock button, and the spring-loaded holder will extend.

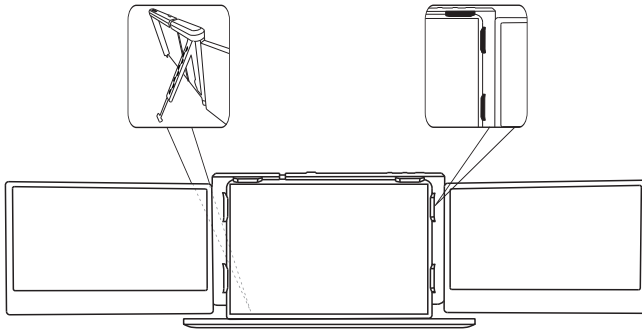


Note: Make sure the fit is tight to prevent the product from wobbling and/or falling off.



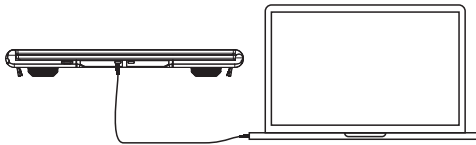
3. Using the Kickstand

Adjust the support bracket on the back of the product to the desired length



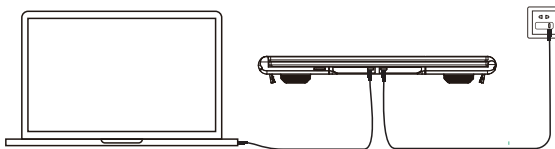
4. Connecting the T2

Connect the T2 and the laptops, check whether the laptops has a Type-C interface; whether the laptops can provide 5V/2A power

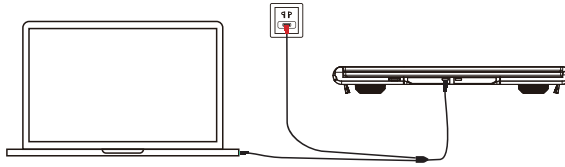


If your laptop has a Type-C port

Option 1: If your laptop's Type-C output port can provide more than 5V/2A power, just connect the T2 with your laptop directly with a Type-C cable.

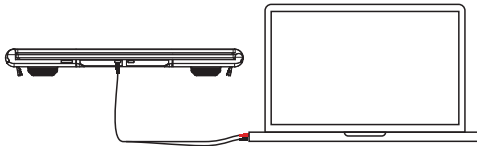


Option 2: If your laptop's Type-C output port cannot provide more than 5V/2A power, or the monitor has no signal/signal instability after connecting. Then you need to use two Type-C cables, one to connect T2 and the laptop, and the other to connect an external power supply(Over 5V/2A) and the PD port of T2.



If your laptop does not have a Type-C port

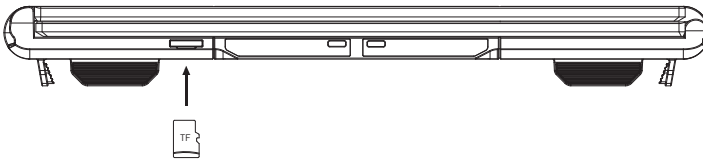
Option 3: There is a cable in the package: Type-C to USB*2. Connect the laptop to the T2's Type-C port via the black USB port. If your laptop's USB port cannot output more than 5V/2A power, then use the red USB port connects to an external power supply with more than 5V/2A power(Adapter).



If your laptop does not have a Type-C port

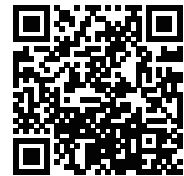
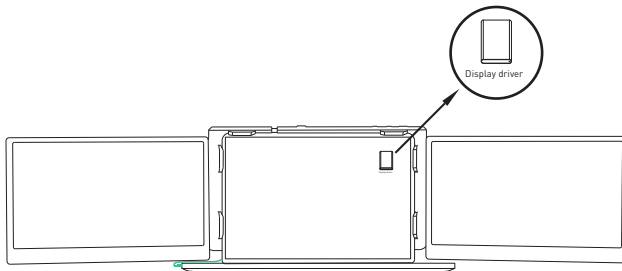
Option 4: There is a cable in the package: Type-C to USB*2. Connect the laptop to the T2's Type-C port via the black USB port. If your laptop's USB port can output more than 5V/2A power, then use the red USB port connects to your laptop's USB port.

5. Driver Installation for Laptops



(When receiving the goods: the microSD card has been placed on the T2)

Note: When connected, your laptop will automatically install the necessary drivers. Manual installation is required to run the SMIOUSBdisplaysW.exe file located in the SD-Display drive. For MacOS Systems, install the appropriate InstantView.exe driver and follow the on-screen instructions.

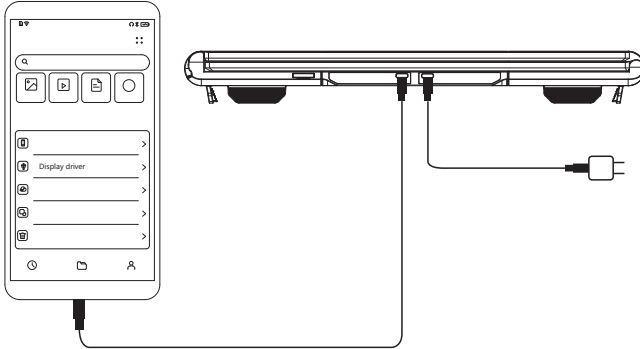


Windows Driver Installation



Apple Driver Installation

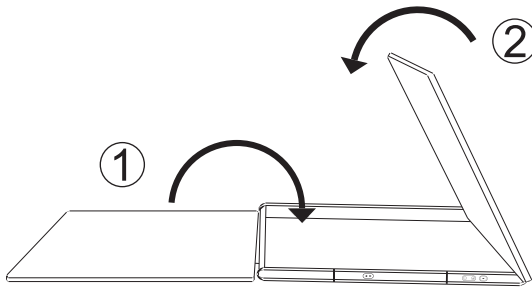
6. Driver Installation on for Mobile Phones



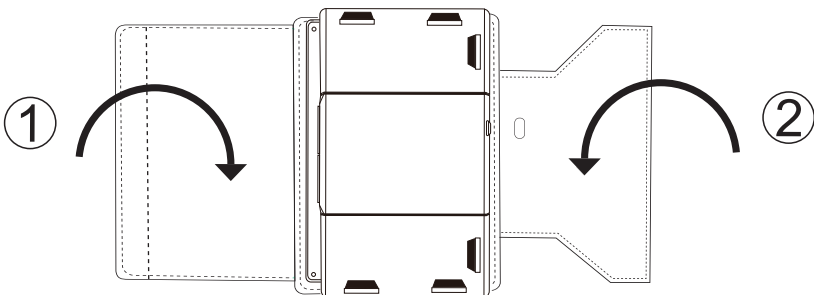
Note: Open the mobile phone file management app and install the device driver accordingly. Please note that not all mobile phones will support external display USB tethering.

7. Disassemble the T2

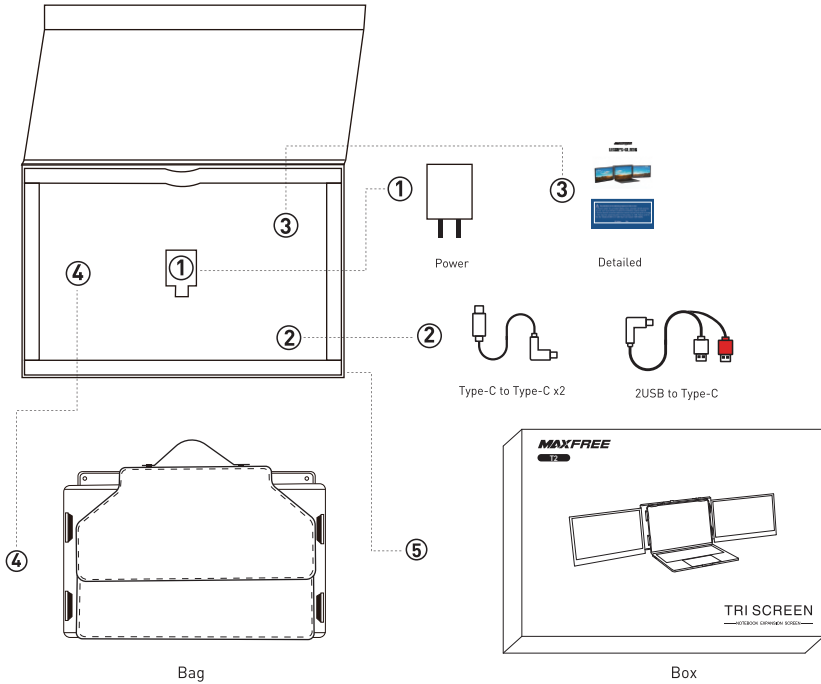
After use, remove all the connecting wires, find the end with the "+" and "-" signs facing us, and the screen is facing up, first close the left screen, and then close the right screen (note: the order should not be confused, otherwise will cause screen damage)



Find the protective cover in the original packaging, place the screen face down and align the two triangular buttons with the corresponding ports on the cover.

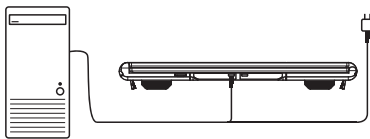


Finally, put the T2 screen up in the packing box, and put all the connecting wires on the bottom.

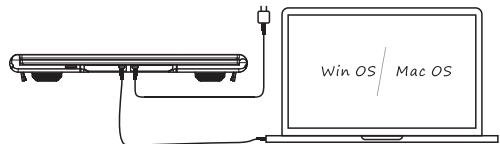


8. Cable Connection Methods if Additional Power is Required

Note: An external power source is required if your laptops or device does not support output of $\geq 10W$.



Desktop computer connection mode
(external power)



Laptop connection mode
(external power)

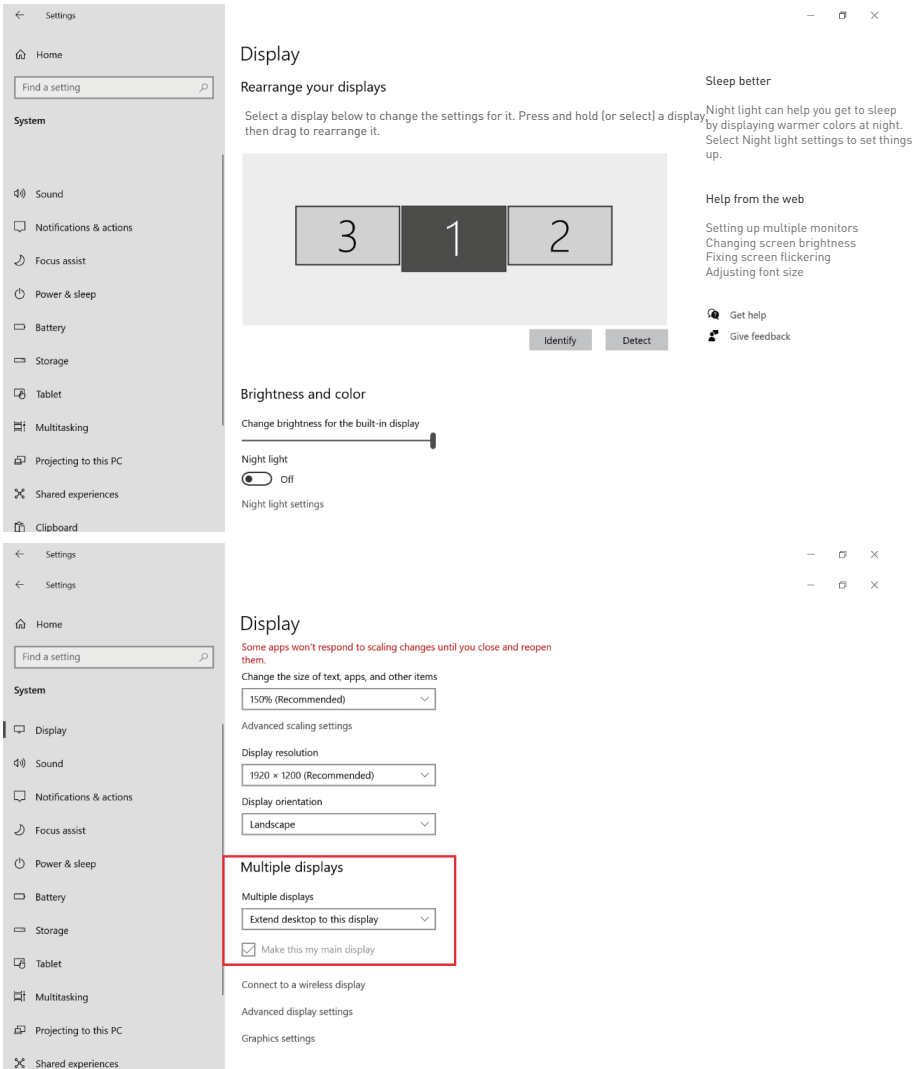


Mobile phone connection mode
(external power)

Display Settings for Windows 10/MacOS

1. Windows 10 Display Settings and Configuration

1. Right-click a blank area of the desktop. In the pop-up dialog box, select “Display Settings”. to open the dialog settings box as shown:



2. User can customize the numbering and order of the three screens from the settings page above. Scrolling down toward the bottom of the page will also allow the user to further configure the displays to either extend the desktop interface or duplicate the main screen.

Display Settings for Windows 10/MacOS

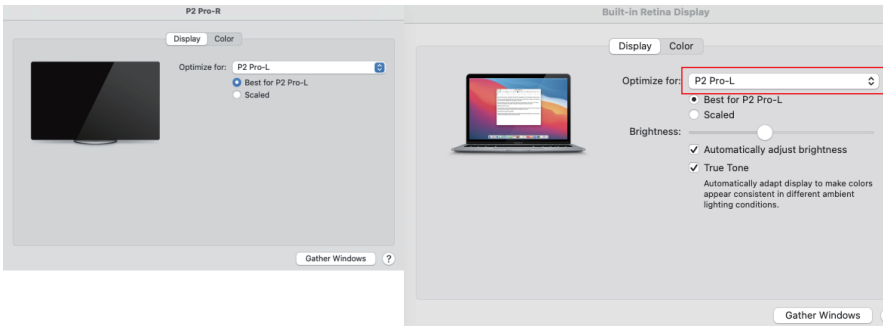
2. MacOS Display Settings and Configuration

2.1 Video output switching settings on the MAC laptops

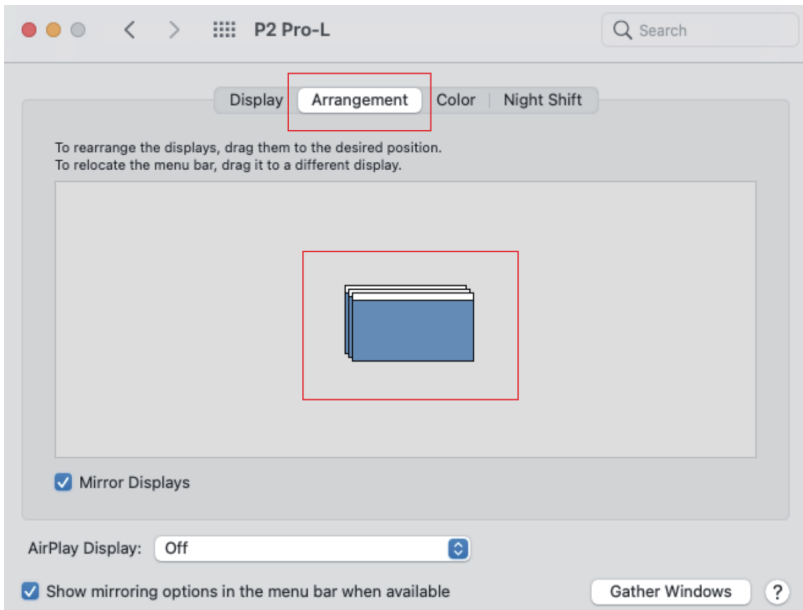
2.2 Click the laptops "Settings" icon



2.3 Select "Display" in the pop-up dialog box and a display box as shown in the figure will pop up. The user can set the display Output.



2.4 Click "Arrangement" in the monitor setting menu and a display box as shown in the figure will pop up, where the user can set the Arrangement/Mirror of the extended screen



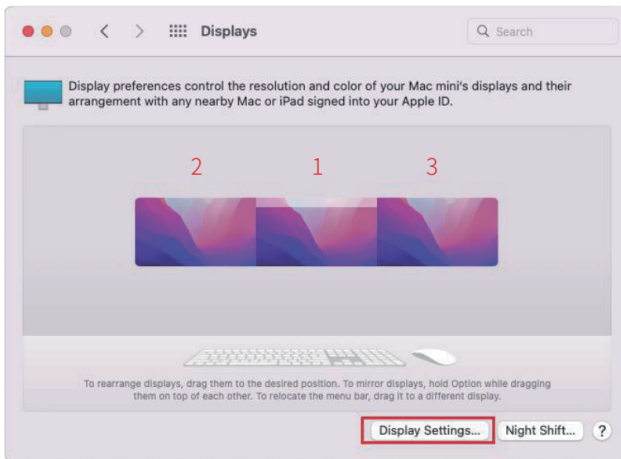
Display Settings for Windows 10/MacOS

3. MacOS Monterey Display Settings and Configuration

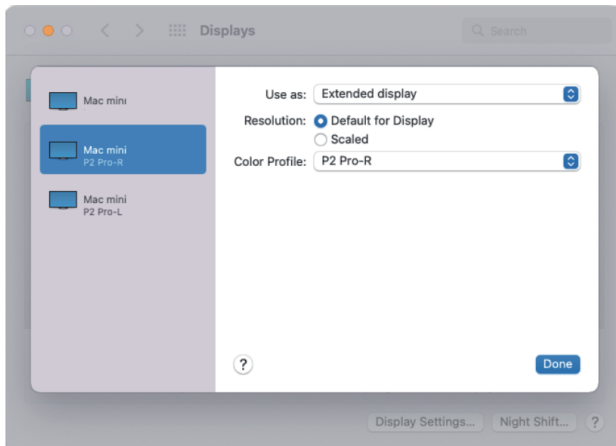
3.1 Enter the "System Preferences" menu



3.2 Select "Displays" in the dialog box and a pop-up box as shown in the figure below will show. The user can now configure their displays to their liking.



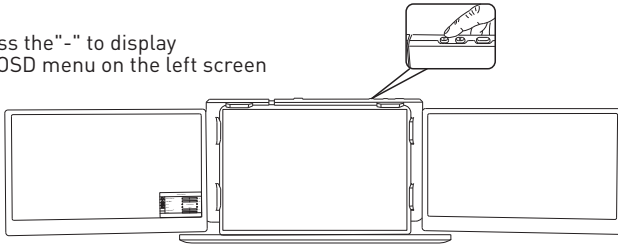
3.3 In this menu, the user can adjust the orientation of the device by clicking and dragging the windows to their desired positions. Clicking 'Display Settings' will then take you to further options.



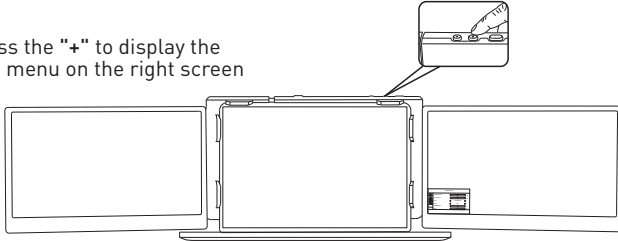
OSD Settings

1.Button Operation Guide

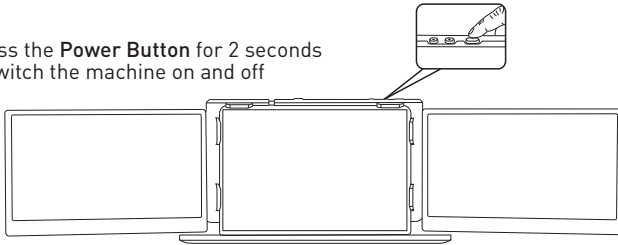
Note: Press the "-" to display the OSD menu on the left screen



Note: Press the "+" to display the OSD menu on the right screen



Note: Press the **Power Button** for 2 seconds to switch the machine on and off



Button	Operation	Functions
Power Button	1. Pressing the POWER button for a short while during the shutdown state	The screen logo displays after 3 seconds, and then the signal appears after 5 seconds
	2. Pressing the POWER button while in the OSD menu	"OK" means to confirm the command
	3. Press and hold the POWER button for 2 seconds while in the OSD menu.	"BACK" means return command
"+"	1. Short press when the OSD menu is not displayed	The OSD menu will popup on the right screen
	2. Short press while in an OSD sub-menu	Navigate the selected setting or increase a value
	3. Press and hold while the OSD menu is active	Quickly navigate or increase values
	4. Shortpress while the OSD menu is active	Navigate "UP"
"-"	1. Short press when the OSD menu is not displayed	The OSD menu will popup on the left screen
	2. Short press while in an OSD sub-menu	Navigate the selected setting or decrease a value
	3. Press and hold while the OSD menu is active	Quickly navigate or decrease values
	4. Short press while the OSD menu is active	Navigate "DOWN"

2. Transportation, Storage and Use Requirements

To ensure the long-term use of this product and prevent accidental occurrences such as an electric shock, fire, etc., please read all usage requirements and operating procedures before using this product and comply with the following requirements:

1. Please use the original power charger.
2. Remove the protective film on the surface of the screens before use.
3. The power input required by this product is 5V-20V +/-2V, and it required sustained operating power is $\geq 10W$. (If the power supply provided by the laptops is not within this range, please use an external power supply.)
4. Avoid excessive humidity and dust build-up to avoid any sort of failure, causing circuit corrosion.
5. Do not squeeze or apply exceeding force to the surface of the screens.
6. Avoid using sharp objects on the screen surface.
7. This product is suitable for general commercial and household use in an optimal temperature environment between -20°C and 60°C .
8. Disconnect any power cables when the device is not in use.
9. The maximum folding angle of the T2 is 207 degrees. When at the maximum angle, the screen should not be further bent or squeezed to avoid damage.

Question & Answer

1. Is this product plug and play?

A: It requires the installation of driver software.

2. Is this product compatible with my laptop?

A: After installing the driver, it can be connected to Windows/Mac OS systems with 13-16.5 inch laptops, as well as Android tablets or smartphones.

3. The display shows "No Signal" when connected, and the computer does not recognize it. What can I do?

A: Please follow these steps to troubleshoot the issue:

1. Verify the driver installation to ensure it is correctly installed.
2. Ensure that the data cable is connected to the TYPE-C interface of the product, not the PD interface.
3. Connect an external power supply with a rating of 5V/2A for enough power delivery.

4. The display lacks the necessary software and cannot be used. How can I download it?

A: The driver files are included on the TF card that comes with the product.

Or contact support@maxfree.com via email or visit the Maxfree official website to download.

5. Is the screen brightness sufficient? Can it be adjusted according to my needs?

A: The screen has a maximum brightness of 220cd/m². When the product is not connected to an external adapter via the PD interface, the brightness can be adjusted to 30%.

When connected to an external adapter via the PD interface, the brightness can be adjusted to 100%.

6. Can I adjust the screen resolution of this product to meet my needs?

A: The product supports a resolution of 1920*1080 on MAC OS and 1920*1080 or 1366*768 on Windows systems.

7. Are there any specific settings or adapter requirements?

A: The product comes with a standard 5V/3A adapter.

8. Are there alternative connection options available apart from Type-C for the T2 device?

A: The alternative connection option available for the T2 device is to use a Type-C to Dual USB data cable for connectivity, but HDMI connection is not supported.

9. Where can I find the appropriate driver for this display?

A: The corresponding driver file can be found on the TF card provided with the T2. Make sure the data cable is correctly connected to the product. If the TF card cannot be recognized, please connect an external power supply to the product's PD interface.

10. Is the monitor powered by USB or an external power source?

A: The display can be powered either by the laptop (requires a power supply of more than 5V/2A) or directly by an external power source.

11. Can the monitor's brightness and contrast be adjusted?

A: Yes, it has upgraded adjustable features such as brightness and contrast for a more comfortable viewing experience.

12. Can I change the settings to scroll left for the left screen extension and right for the right screen extension?

A: In our user manual, on page 7, there are instructions on how to change the order of the monitor extensions. Please follow the steps to set up.

13. Does skipping antivirus software disabling impact MaxFree device installation and connection to the laptop?

A: Skipping the step of disabling the antivirus software may affect the installation and connection of the MaxFree device to the laptop. You need usually to proceed by allowing the installation to proceed or adding an exception to the antivirus software.



MAXFREE

— www.maxfree.com —

— www.maxfreeofficial.com —

The manufacturer reserves the right to make changes to the product
and update this manual at any time.

Any question, please contact: support@maxfree.com