

Lissa

designed by Medaarch



WEIGHT

22 kg

BOX VOLUME

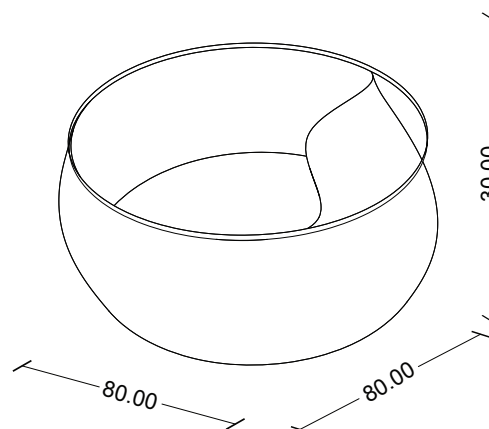
0,25 m³

AVAILABLE FOR*

INDOOR
OUTDOOR

DIMENSIONS

cm



Maintenance: Our products are made of polylactic acid with the addition of natural dye. For normal cleaning of the plastic surfaces, use a soft scrub brush (no metallic) to remove dirt particles between the lines and then wash with a micro fiber cloth (or other lint-free cloth) and water. If heavier cleaning is required, use a mild soap along with the cloth and water.

Do not use solvents or abrasive cleaners. After cleaning, rinse with warm water and dry with a soft cloth.

*Only light colors are available for outdoor products.

Products left outside or with constant thermal differences could undergo deformations. Always protect products from atmospheric agents.

Prolonged exposure to sunlight may cause discoloration.