

TECHNICAL SPECIFICATIONS

Model:	LS-ARC
Dimensions:	
Length:	4.5 in. (11.43 cm)
Width:	3.3 in. (8.38 cm)
Height:	3.3 in. (8.38 cm)
Color Temperature:	5500 K
Lamp:	60 Volts, 24 watts
Lamp Life:	500 hours
Replacement Lamp:	AL-1824
Intensity:	4000 fc (43,000 lux) (max intensity measure - 12" distance from Quality Aspirators headlight)
Dimming System:	Manual shutter

WARNINGS AND PRECAUTIONS

- DO NOT switch LS-ARC Light Source on / off in rapid succession. Doing so will dramatically reduce lamp life. Allow lamp to cool down for 10 to 15 seconds between each use.
- To prevent temporary blinding and contact with heated parts always plug fiber bundle into LS-ARC before turning on.
- Always avoid direct viewing of the light.
- The LS-ARC uses a custom lamp, always have a spare lamp available for replacement. USE CAUTION - LAMP MAY BE HOT. Allow lamp to cool before replacing.



P.O. Box 382120 • Duncanville, Texas 75138

1-800-858-2121

(972) 298-2669 • Fax (972) 298-6592

Email: support@qualityaspirators.com • Web: www.QualityAspirators.com



LS-ARC Light Source



Operating Manual

LS-ARC Light Source

Quality Aspirators' LS-ARC is based upon the use of a low wattage metal halide arc lamp. The LS-ARC offers up to 5 times the light output per watt when compared to halogen sources.

Brilliant White Light: Unlike many halogen based light sources, the LS-ARC delivers an intense amount of white light with a color temperature exceeding 5400K thus providing true daylight illumination for improved color rendering and color balance.

Long Life / Cost Effective: The lamp used in the LS-ARC has significantly longer life than comparable halogen lamps. Depending on power up / power down cycles the lamp will last up to 12 times longer than many halogen lamps operating at full power.

Small Footprint: The LS-ARC's footprint of only 3.3 inches by 4.5 inches and height of only 3.3 inches, allows for convenient placement or mounting of the source almost anywhere.

LS-ARC SYSTEM OPERATION

1. Plug the power supply into a grounded receptacle. The power switch should be in the OFF position (O).
2. Plug fiberoptic cable into light port.
3. Turn the power switch ON (position I). The lamp will take 10 - 15 seconds to complete the warm-up cycle.
4. Set intensity to desired level.
5. Turn unit OFF when not in use.

NOTE: Do not restart the LS-ARC Light Source immediately after shutting it off - it may fail to light. If this occurs, turn the power off and wait 10 - 15 seconds before turning the unit back on.

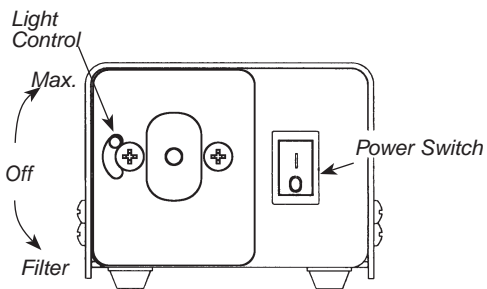


Figure 1. Front View

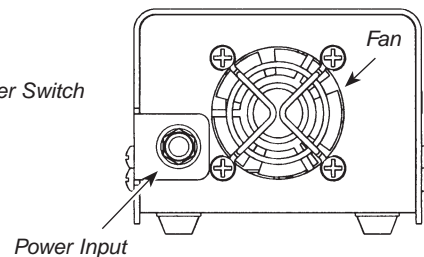


Figure 2. Back View

LAMP REPLACEMENT



CAUTION: LAMP MAY BE HOT

Allow lamp to cool before replacing.

To Replace the Lamp

1. Turn the LS-ARC Light Source off and unplug the power cord from both the wall outlet and the rear of the unit.
2. Remove 2 screws from either side of the LS-ARC Light Source and remove the cover to expose the lamp (see Figure 3).
3. Disconnect the lamp connector and remove the lamp by pulling it back and up against the retaining spring (see Figure 4).
4. Replace with Quality Aspirators replacement lamp AL-1824 only. DO NOT touch the lamp itself, or the interior reflective surface of the lamp. Skin oils on the lamp will cause premature lamp failure. Hold lamp by the outside of the reflector or the connector only. Remove any grease or fingerprints with a clean Q-tip moistened with alcohol. Do not leave any lint on the lamp.
5. Reconnect the lamp to the connector and insert lamp so that the alignment pin is properly seated in the lamp bracket.
6. Replace the cover and secure with 2 screws on either side. Reconnect the power supply.

Remove screws and lift cover.

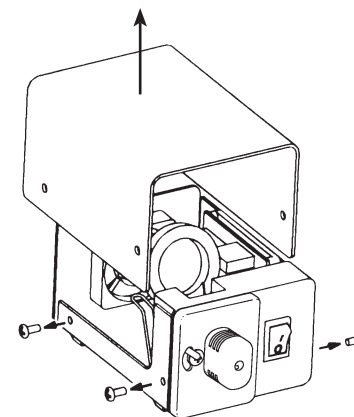


Figure 3. Cover Removal

Pull lamp back and up.

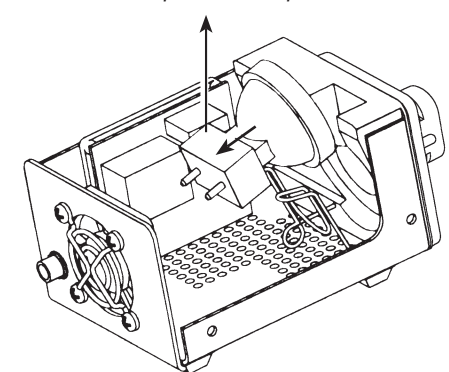


Figure 4. Lamp Removal