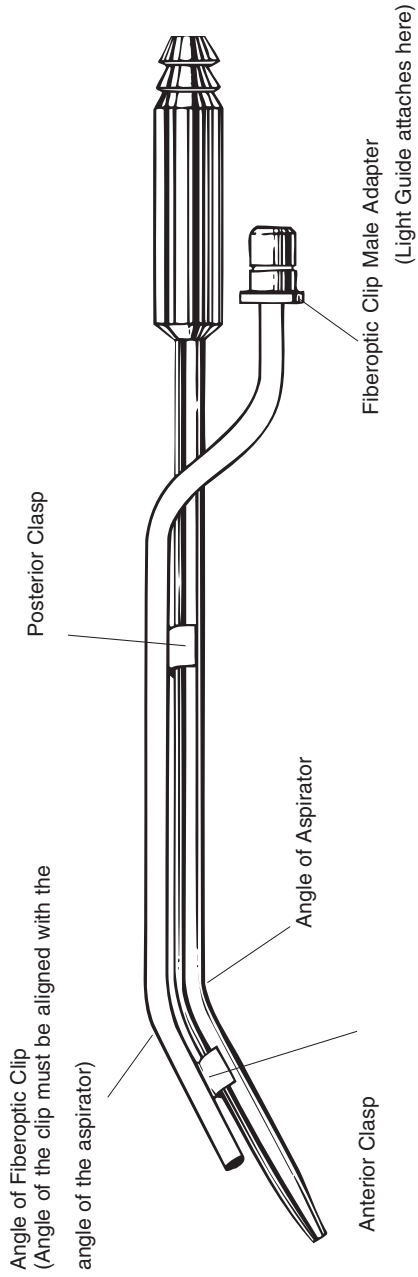
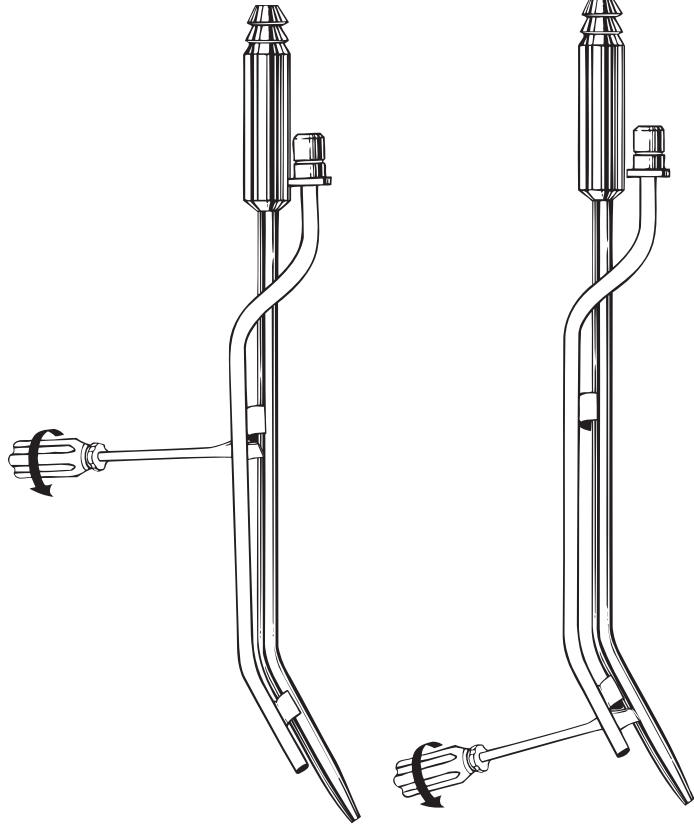


Placement and Removal of Fiberoptic Clips from Standard Aspirators



The fiberoptic clip is made of stainless steel and contains the glass fiberoptic bundle. The clip may be autoclaved, or chemically. To attach the fiberoptic clip to the aspirator you must align the angle of the clip with the angle of the aspirator. When these two angles are aligned, press the anterior clasp into place and then press the posterior clasp onto the aspirator.

Removal of the Fiberoptic Clip from a Standard Aspirator



Use a small flat head screwdriver or other flat instrument and place it between the aspirator and clip as shown. Using a twisting motion pry one of the clasps from the aspirator. Repeat this procedure with the other clasp.

NEVER remove your fiberoptic clip by pulling it off. This can cause the clip to bend, breaking fibers, or cause one of the retaining clasps to break off.

