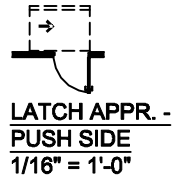
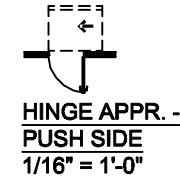
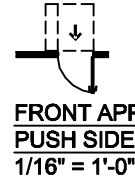
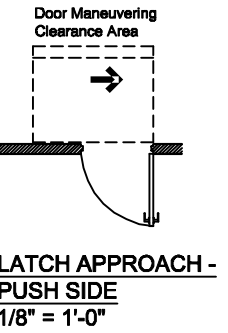
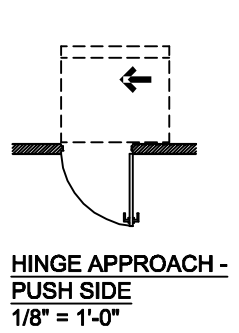
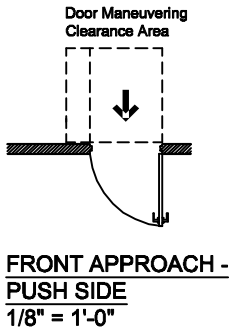
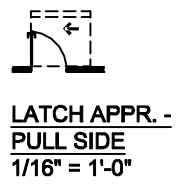
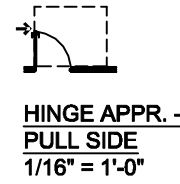
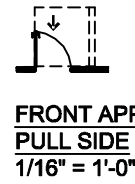
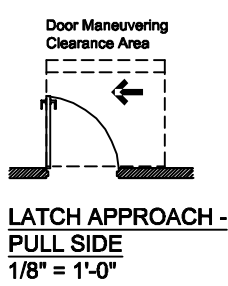
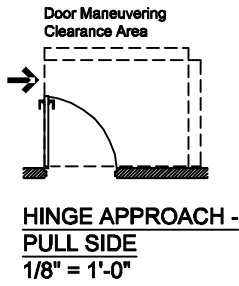
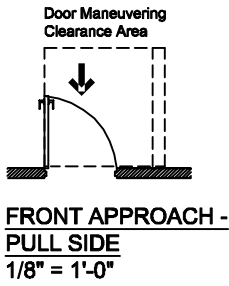


2010 ADA Standards - Plan Review Tools - Doors - 1 of 2

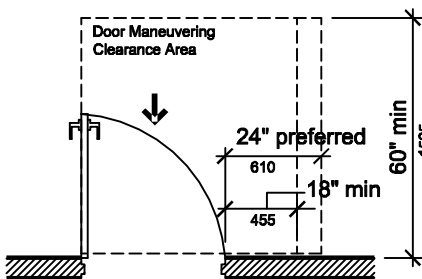


NOTE: some State requirements are more stringent than the ADA Standards - verify requirements in your State

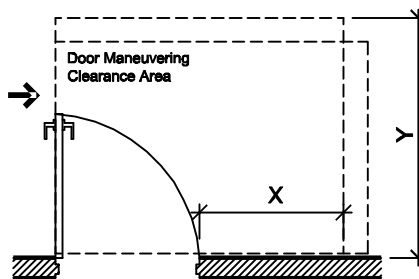


Actual Size Graphic Scale

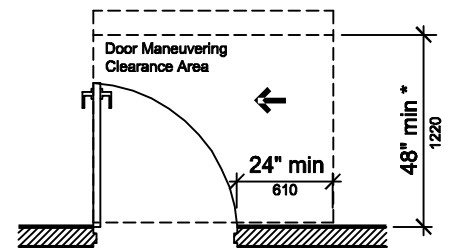
2010 ADA Standards



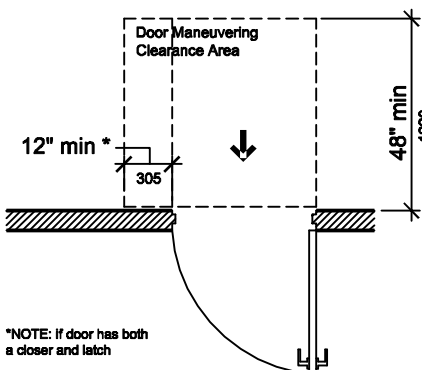
FRONT APPROACH - PULL SIDE
1/4" = 1'-0"



*NOTE: X = 36" (915 mm) minimum if Y = 60" (1525 mm);
X = 42" (1065 mm) minimum if Y = 54" (1370 mm)
HINGE APPROACH - PULL SIDE
1/4" = 1'-0"

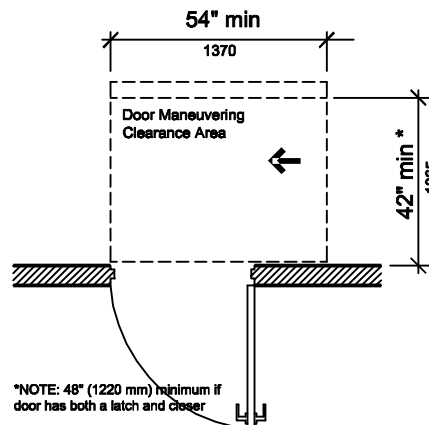


*NOTE: 54" (1220 mm) minimum if door has closer
LATCH APPROACH - PULL SIDE
1/4" = 1'-0"



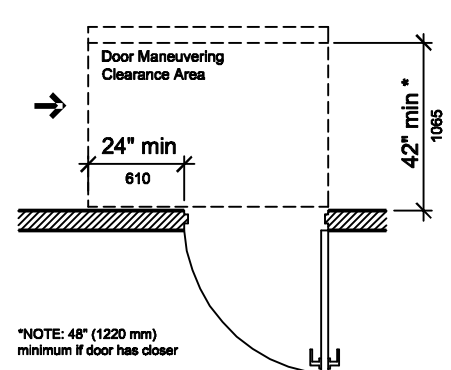
FRONT APPROACH - PUSH SIDE
1/4" = 1'-0"

*NOTE: If door has both a closer and latch



HINGE APPROACH - PUSH SIDE
1/4" = 1'-0"

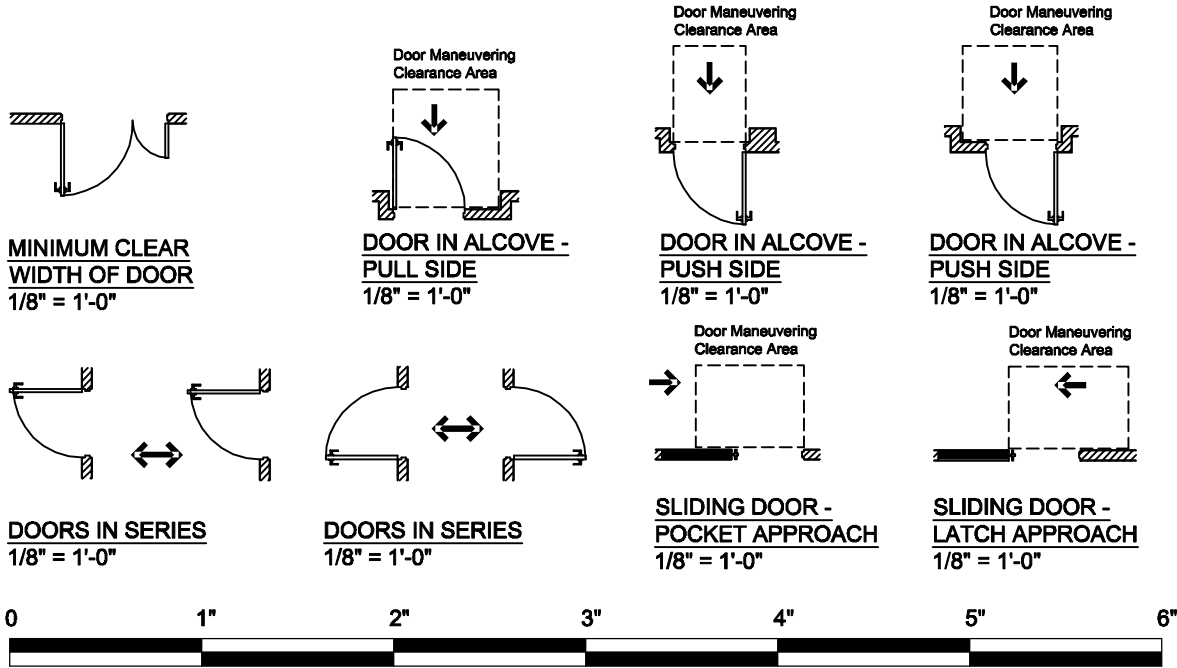
*NOTE: 48" (1220 mm) minimum if door has both a latch and closer



FRONT APPROACH - PUSH SIDE
1/4" = 1'-0"

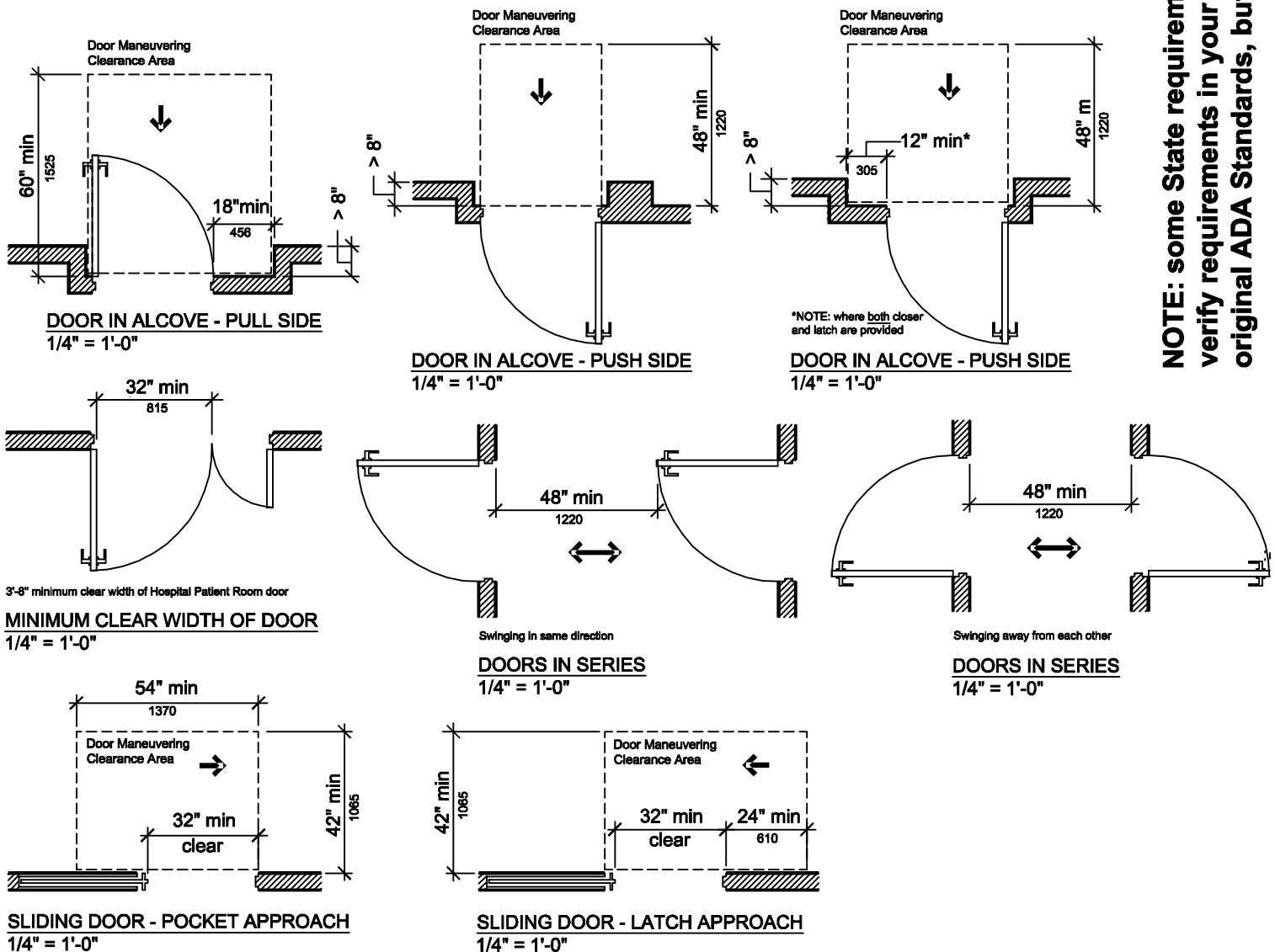
*NOTE: 48" (1220 mm) minimum if door has closer

2010 ADA Standards - Plan Review Tools - Doors - 2 of 2



Actual Size Graphic Scale

2010 ADA Standards



NOTE: some State requirements are more stringent than the ADA Standards - verify requirements in your State - doors in alcoves did not appear in the original ADA Standards, but are included in the 2010 ADA Standards