

# Accessible Toilet Room Design Guide 8.06.2013 Version

single user

multi user



**Accessible toilet rooms efficiently sized for the 2010 ADA (stricter state and/or local requirements may apply).**

**GENERAL SCOPE NOTES:**

Minimum number of required accessible Single User Toilet Rooms (scope):

Where single toilet rooms are provided, all toilet rooms must be accessible unless they are located in a "cluster". If toilet rooms are configured in a cluster, at least half are required to be accessible. See ADA Standards 213.2. Distribute accessible toilet rooms equally between genders if not unisex.

Cluster per ADA Advisory 213.2: A "cluster" is a group of toilet rooms proximate to one another. Generally, toilet rooms in a cluster are within sight of, or adjacent to, one another.

Basic Unisex Toilet room requirements (scope) -see ADA 213.2.1:

Unisex Toilets shall have a privacy latch on the door and can be configured with not more than one lavatory and either:

1. two water closets without urinals or;
2. one water closet and one urinal.

Basic Multi User Toilet Room requirements (scope) -see ADA 213.3.1:

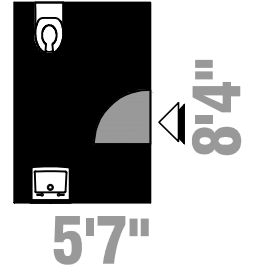
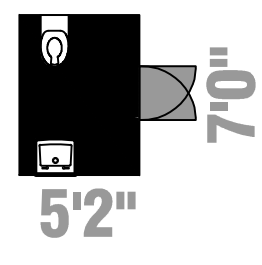
At least one of the toilet compartments (if compartments provided) shall be accessible. In addition to the accessible toilet compartment, if there are a total of six or more water closets (or combination of water closets and urinals) at least one of those compartments is required to be an ambulatory compartment. Door must swing out in ambulatory compartments.

If lavatories are provided at least one must be accessible and the accessible lavatory is not permitted to be located inside a toilet compartment.

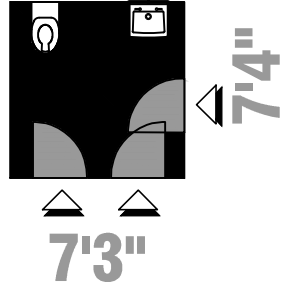
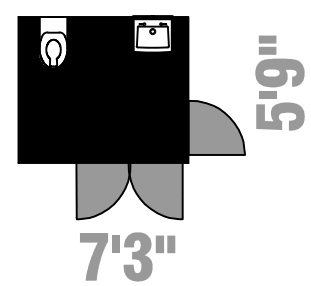
If there is more than one urinal, then at least one of those urinals is required be accessible.

Accessible toilet rooms efficiently sized for the 2010 ADA (stricter state and/or local requirements may apply).

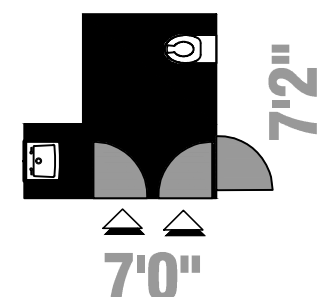
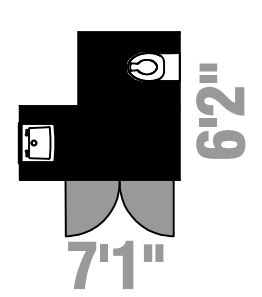
copyright © 2013 Evan Terry Associates



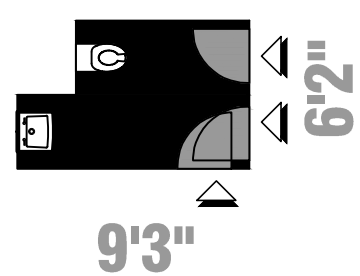
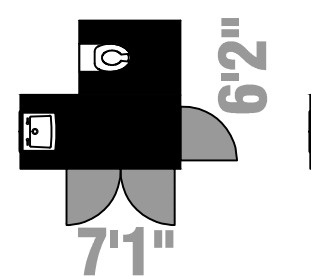
**type A**  
fixtures Across from each other



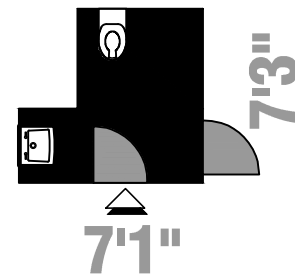
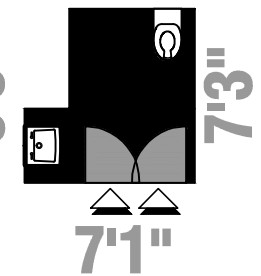
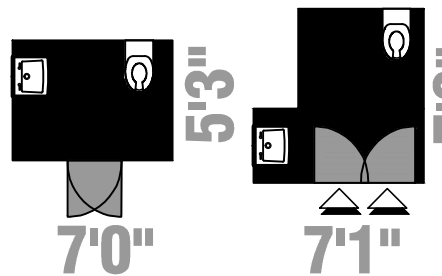
**type B**  
fixtures Beside each other



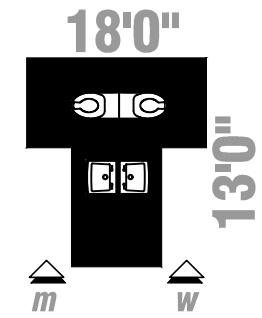
**type Ca**  
fixtures around a Corner & across from each other



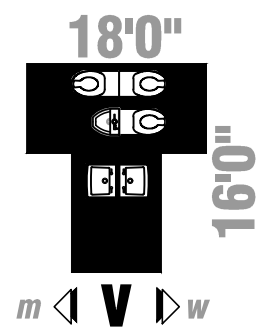
**type Cb**  
fixtures around a Corner & beside each other



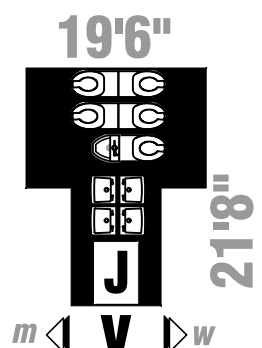
**type 90°**  
fixtures rotated 90° to each other



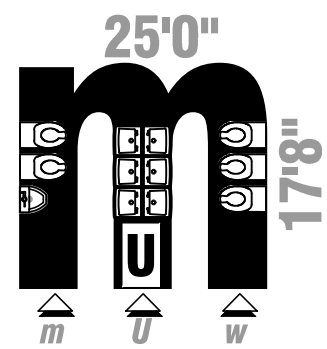
**type T**  
fixtures arranged in a "T" shaped configuration with fixtures back to back



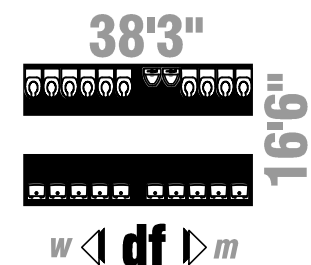
**type Tv**  
fixtures arranged in a "T" shaped configuration with a shared entry Vestibule option



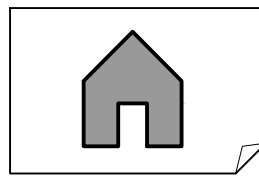
**type Tjv**  
fixtures arranged in a "T" shaped configuration with Janitor's closet and entry Vestibule options



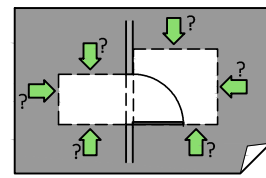
**type mu**  
fixtures arranged in an "m" shaped configuration with a family Unisex Toilet room option at the entry



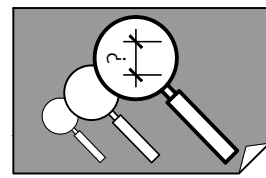
**type =**  
fixtures arranged in an "=" configuration with drinking fountains in a shared vestibule



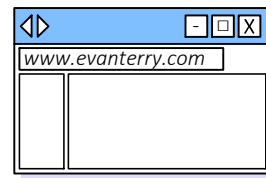
[cover sheet/home page](#)



[other door configurations](#)



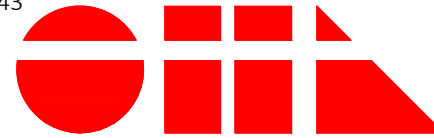
[mounting details](#)



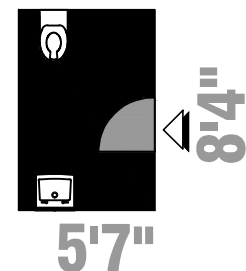
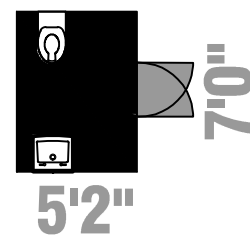
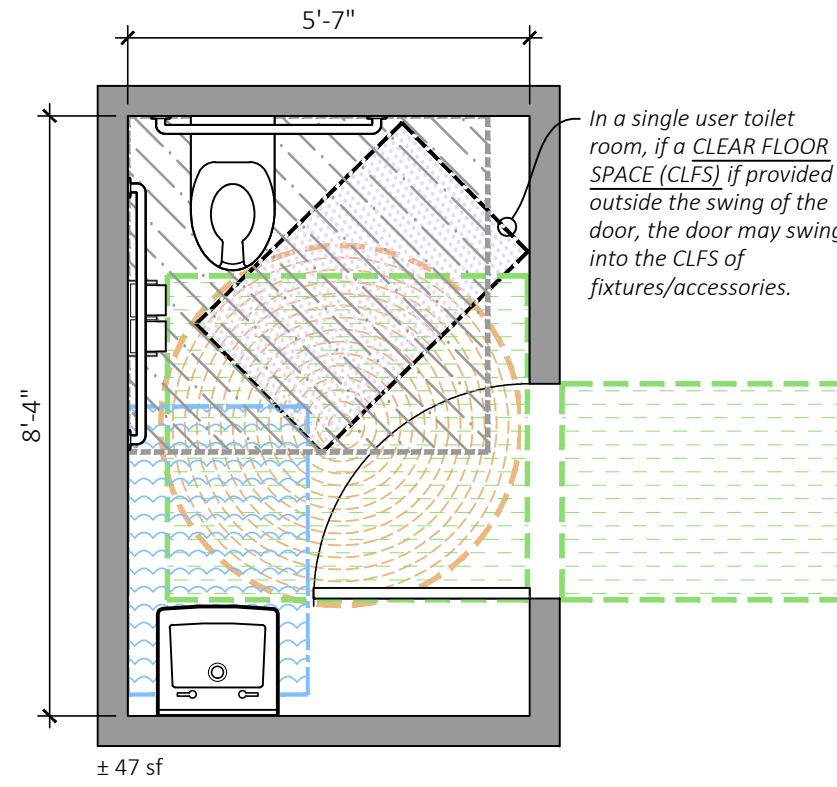
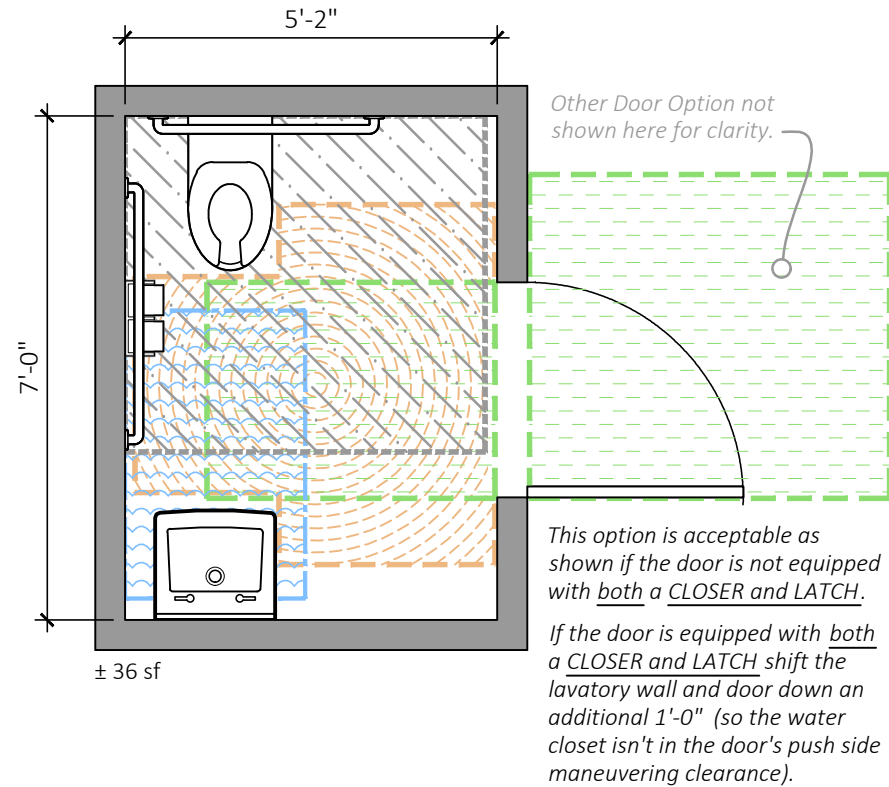
[visit us on the web](#)

Accessible toilet rooms efficiently sized for the 2010 ADA (stricter state and/or local requirements may apply). Read all Notes before using this document. Room layouts usually have had 1" per wall added for construction tolerances. Adjust layouts according to local construction and material tolerances. Some dimensions are recommendations to indicate best practices and preferences; verification is required.

One Perimeter Park South / Suite 200S  
Birmingham, AL 35243  
www.evanterry.com  
P: (205) 972-9100  
F: (205) 972-9110  
TTY: (205) 972-9112



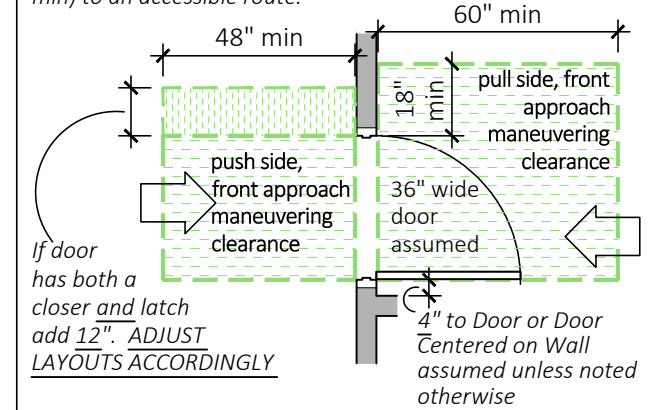
**Evan Terry Associates**  
Architecture ♦ Accessible Design



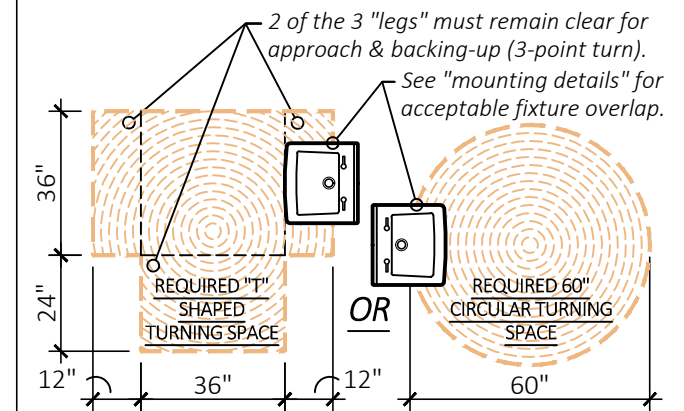
**type A**  
fixtures across from each other

IDENTIFY REQUIREMENTS UNIQUE TO YOUR PROJECT'S LOCAL JURISDICTION. VERIFY THE DIMENSIONS AND CONFIGURATION OF THE SPECIFIED FIXTURES AND FINISHES WHEN EVALUATING REQUIRED CLEARANCES.

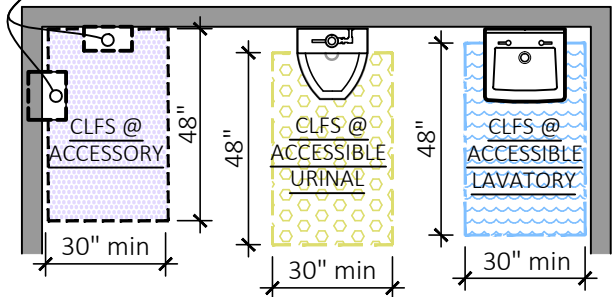
**GENERAL NOTE:** At least one side of all clear floor space, turning space and door maneuvering clearances must fully connect (36" min) to an accessible route.



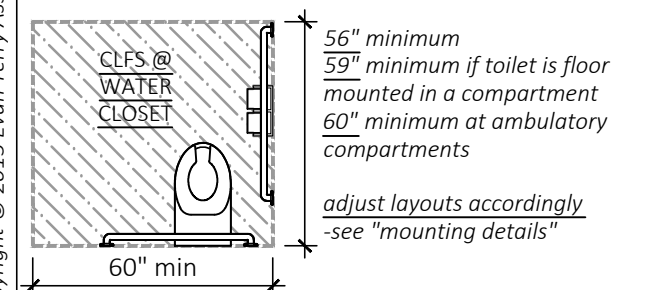
**FORWARD APPROACH DOOR MANEUVERING CLEARANCE:** 32" minimum clearance between the door stop and the face of door when door is opened to 90°.



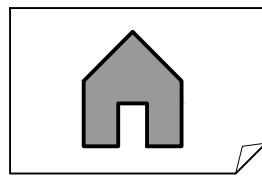
Verify knee and toe clearance at accessories.



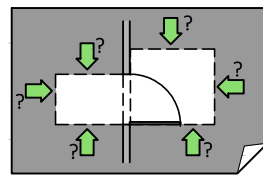
If CLEAR FLOOR SPACE (CLFS) is located in an alcove 24" or deeper, provide 36" width minimum (so that wheelchair users do not scrape their hands) -see "Mounting Details" and ADJUST LAYOUTS ACCORDINGLY



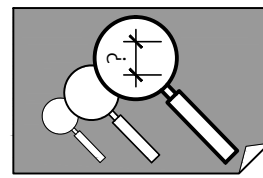
copyright © 2013 Evan Terry Associates



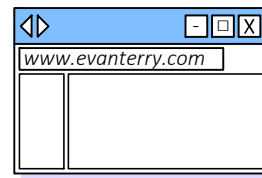
[cover sheet/home page](#)



[other door configurations](#)

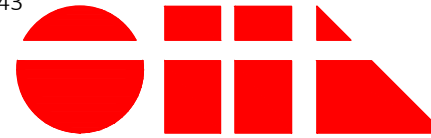


[mounting details](#)



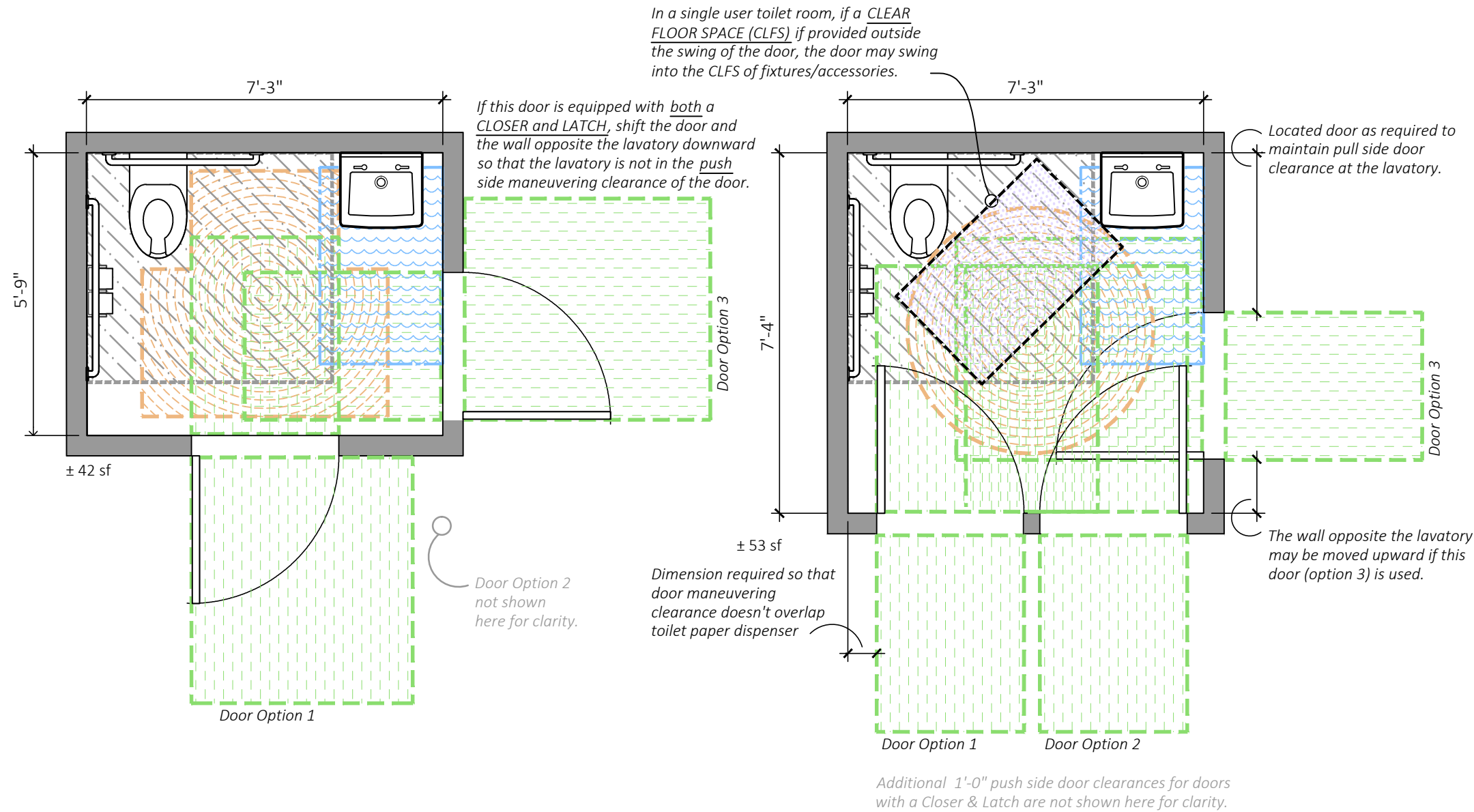
[visit us on the web](#)

One Perimeter Park South / Suite 200S  
Birmingham, AL 35243  
www.evanterry.com  
P: (205) 972-9100  
F: (205) 972-9110  
TTY: (205) 972-9112



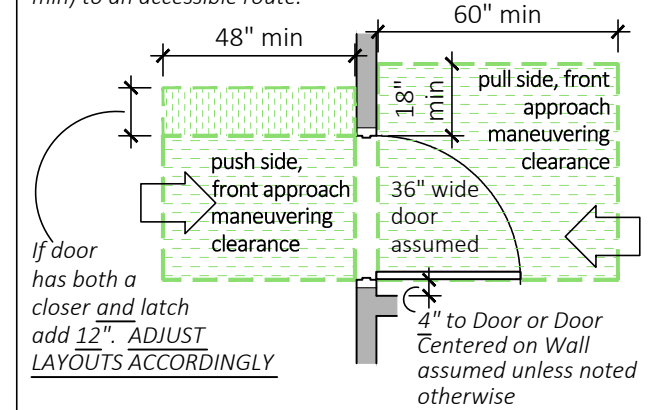
**Evan Terry Associates**  
Architecture ♦ Accessible Design

Accessible toilet rooms efficiently sized for the 2010 ADA (stricter state and/or local requirements may apply). Read all Notes before using this document. Room layouts usually have had 1" per wall added for construction tolerances. Adjust layouts according to local construction and material tolerances. Some dimensions are recommendations to indicate best practices and preferences; verification is required.

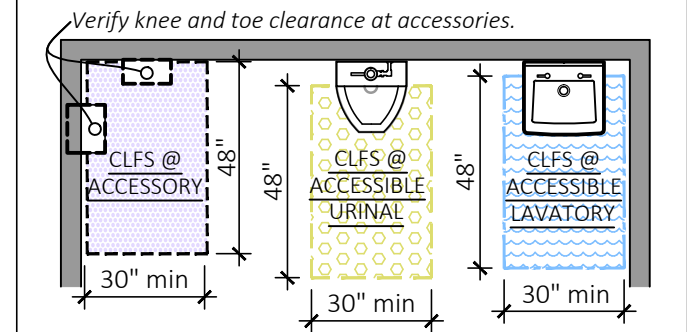
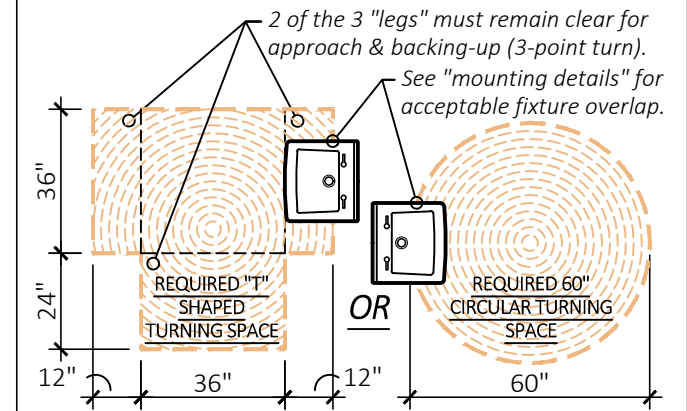


IDENTIFY REQUIREMENTS UNIQUE TO YOUR PROJECT'S LOCAL JURISDICTION. VERIFY THE DIMENSIONS AND CONFIGURATION OF THE SPECIFIED FIXTURES AND FINISHES WHEN EVALUATING REQUIRED CLEARANCES.

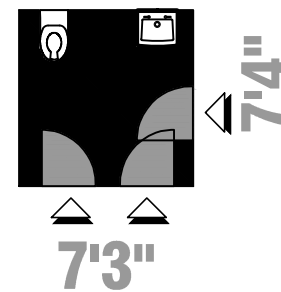
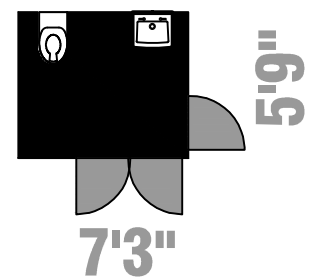
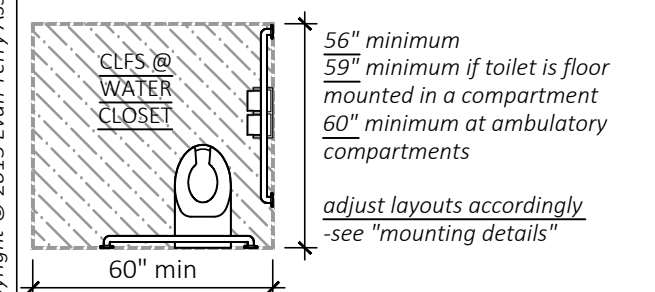
**GENERAL NOTE:** At least one side of all clear floor space, turning space and door maneuvering clearances must fully connect (36" min) to an accessible route.



**FORWARD APPROACH DOOR MANEUVERING CLEARANCE:** 32" minimum clearance between the door stop and the face of door when door is opened to 90°.

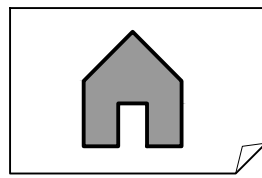


If CLEAR FLOOR SPACE (CLFS) is located in an alcove 24" or deeper, provide 36" width minimum (so that wheelchair users do not scrape their hands) -see "Mounting Details" and **ADJUST LAYOUTS ACCORDINGLY**

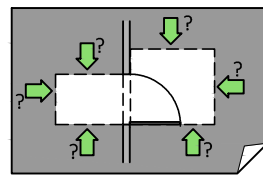


**type B**  
fixtures Beside each other

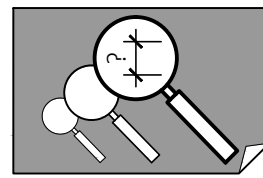
copyright © 2013 Evan Terry Associates



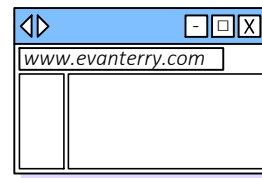
[cover sheet/home page](#)



[other door configurations](#)



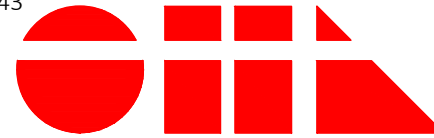
[mounting details](#)



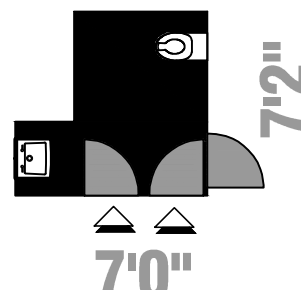
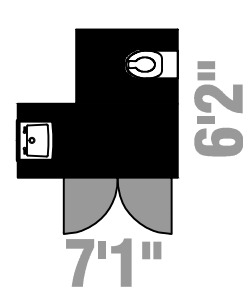
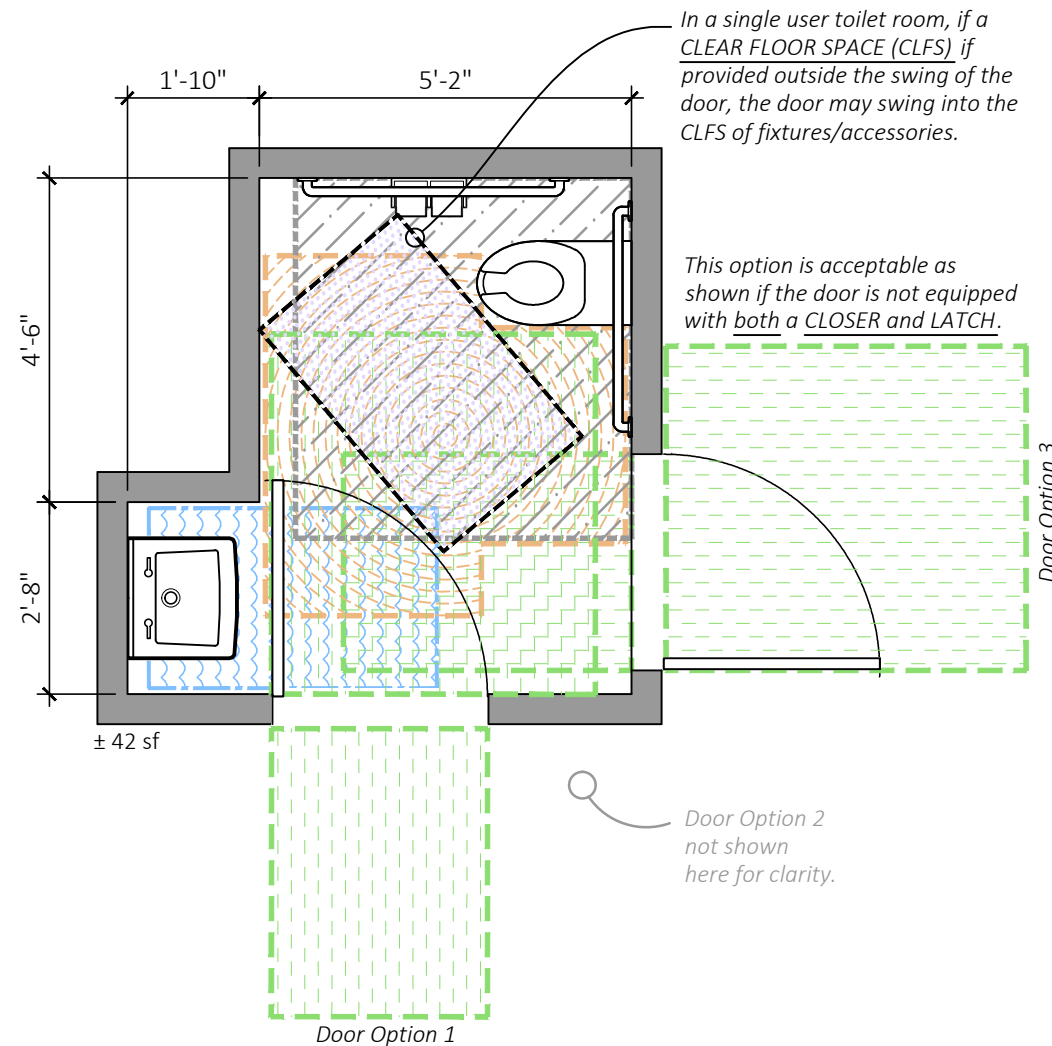
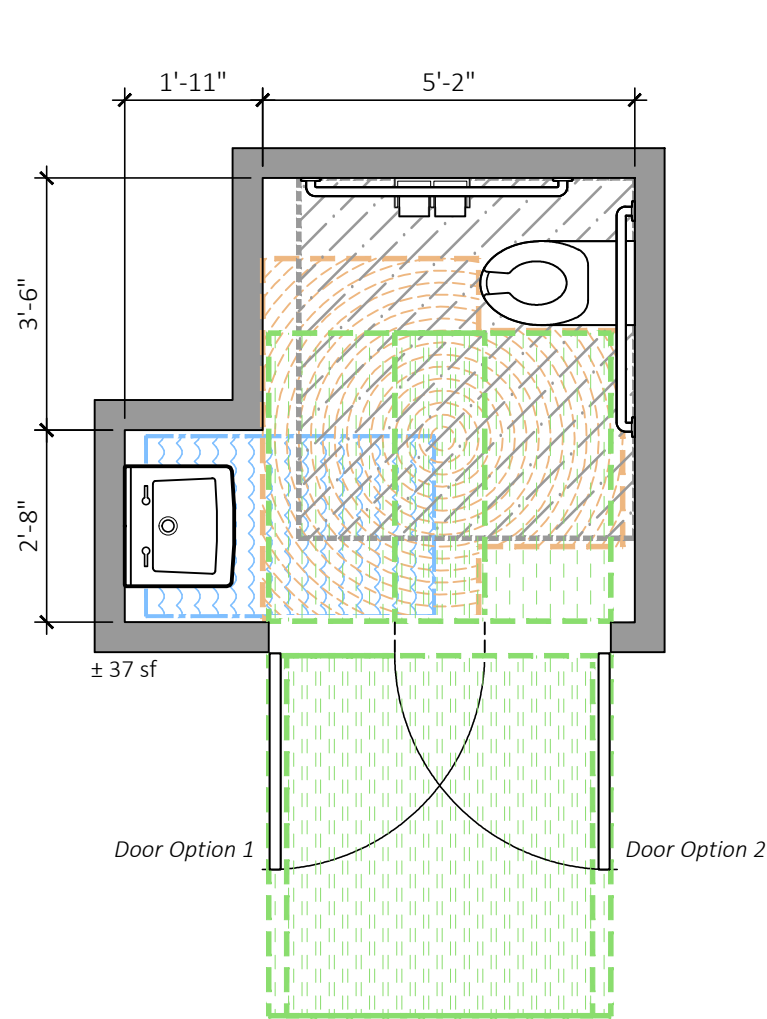
[visit us on the web](#)

Accessible toilet rooms efficiently sized for the 2010 ADA (stricter state and/or local requirements may apply). Read all Notes before using this document. Room layouts usually have had 1" per wall added for construction tolerances. Adjust layouts according to local construction and material tolerances. Some dimensions are recommendations to indicate best practices and preferences; verification is required.

One Perimeter Park South / Suite 200S  
Birmingham, AL 35243  
www.evanterry.com  
P: (205) 972-9100  
F: (205) 972-9110  
TTY: (205) 972-9112



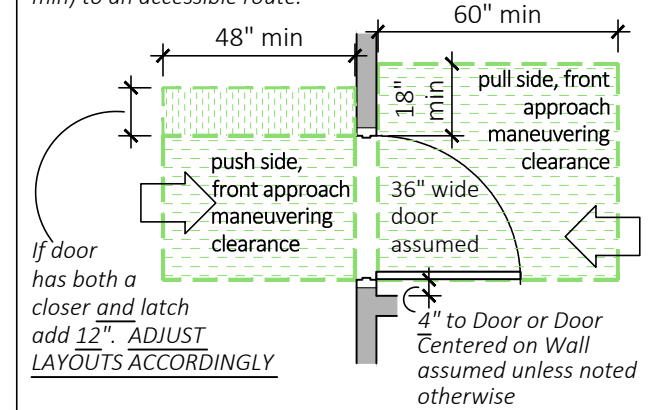
**Evan Terry Associates**  
Architecture ♦ Accessible Design



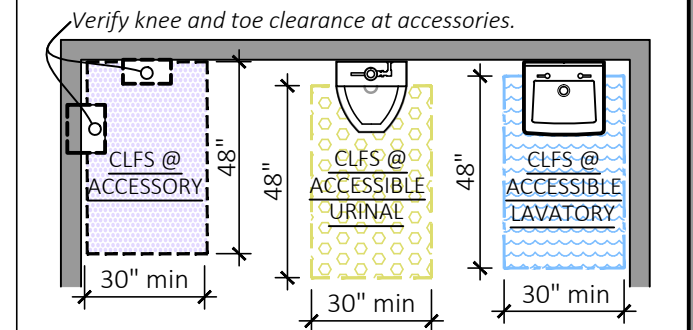
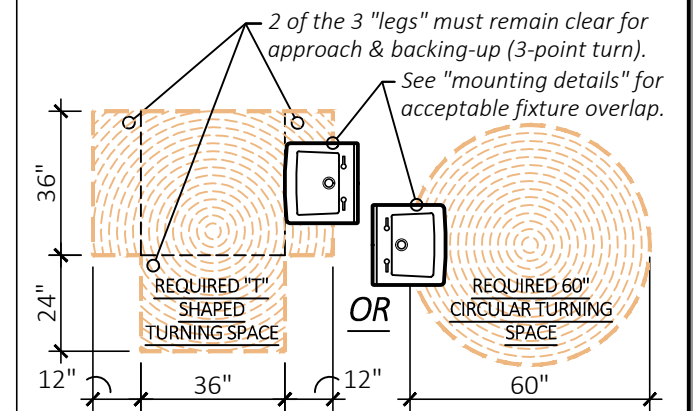
**type Ca**  
fixtures around a corner & across from each other

IDENTIFY REQUIREMENTS UNIQUE TO YOUR PROJECT'S LOCAL JURISDICTION. VERIFY THE DIMENSIONS AND CONFIGURATION OF THE SPECIFIED FIXTURES AND FINISHES WHEN EVALUATING REQUIRED CLEARANCES.

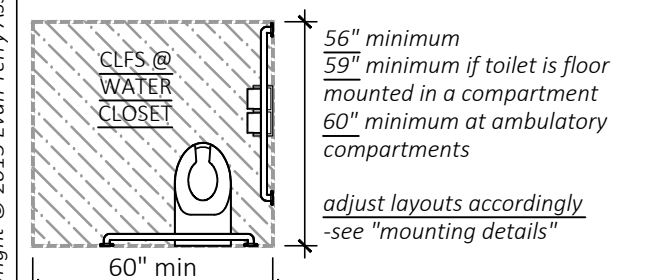
**GENERAL NOTE:** At least one side of all clear floor space, turning space and door maneuvering clearances must fully connect (36" min) to an accessible route.



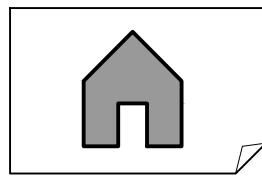
**FORWARD APPROACH DOOR MANEUVERING CLEARANCE:** 32" minimum clearance between the door stop and the face of door when door is opened to 90°.



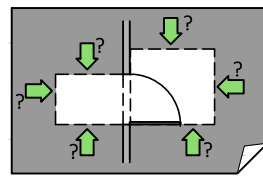
If CLEAR FLOOR SPACE (CLFS) is located in an alcove 24" or deeper, provide 36" width minimum (so that wheelchair users do not scrape their hands) -see "Mounting Details" and ADJUST LAYOUTS ACCORDINGLY



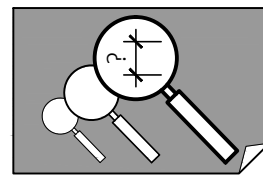
copyright © 2013 Evan Terry Associates



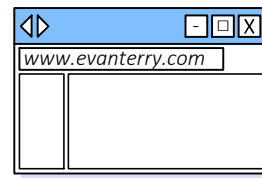
[cover sheet/home page](#)



[other door configurations](#)

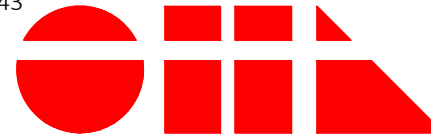


[mounting details](#)



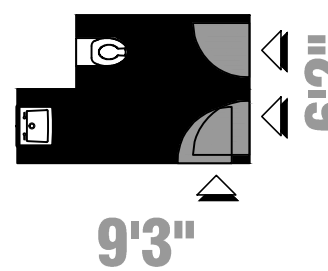
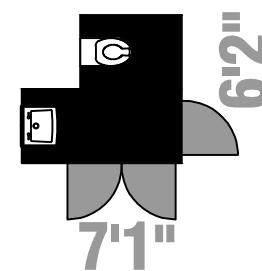
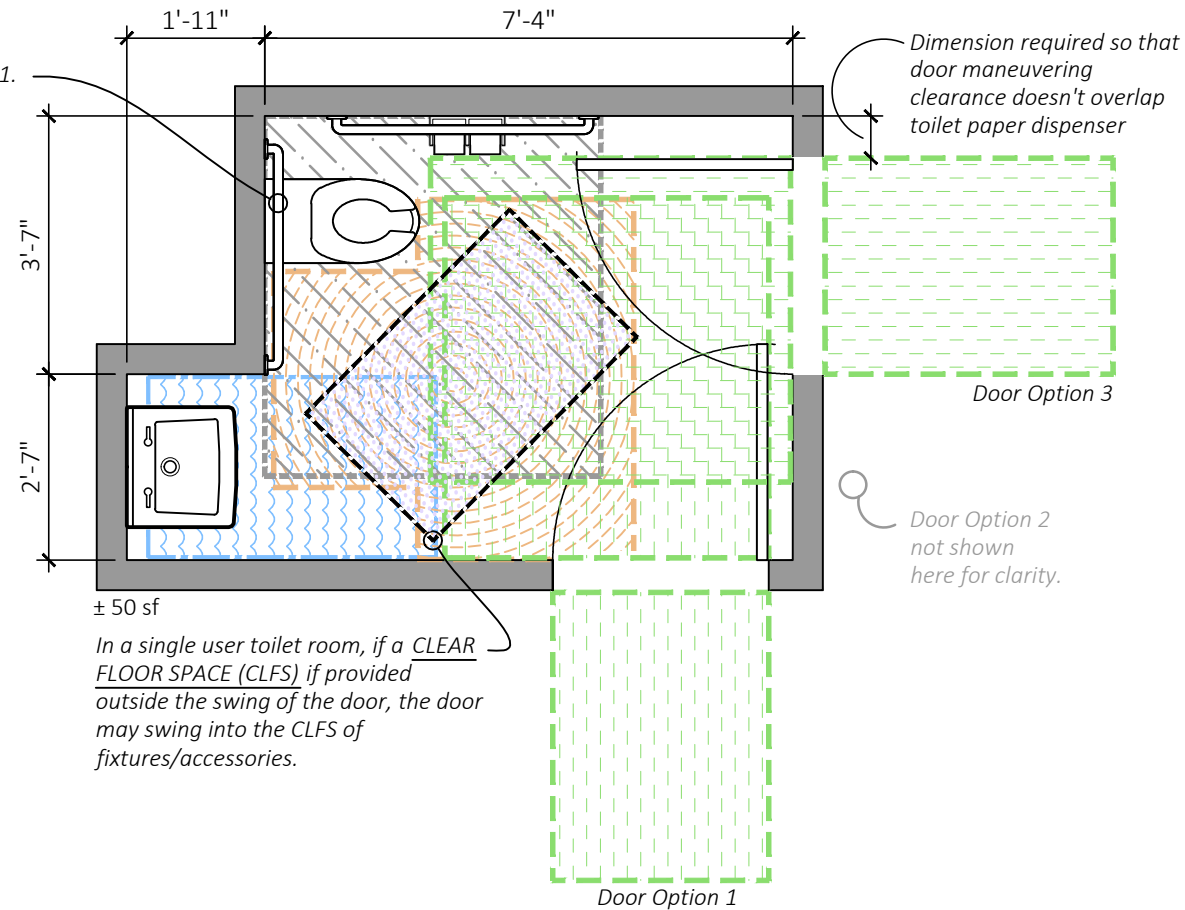
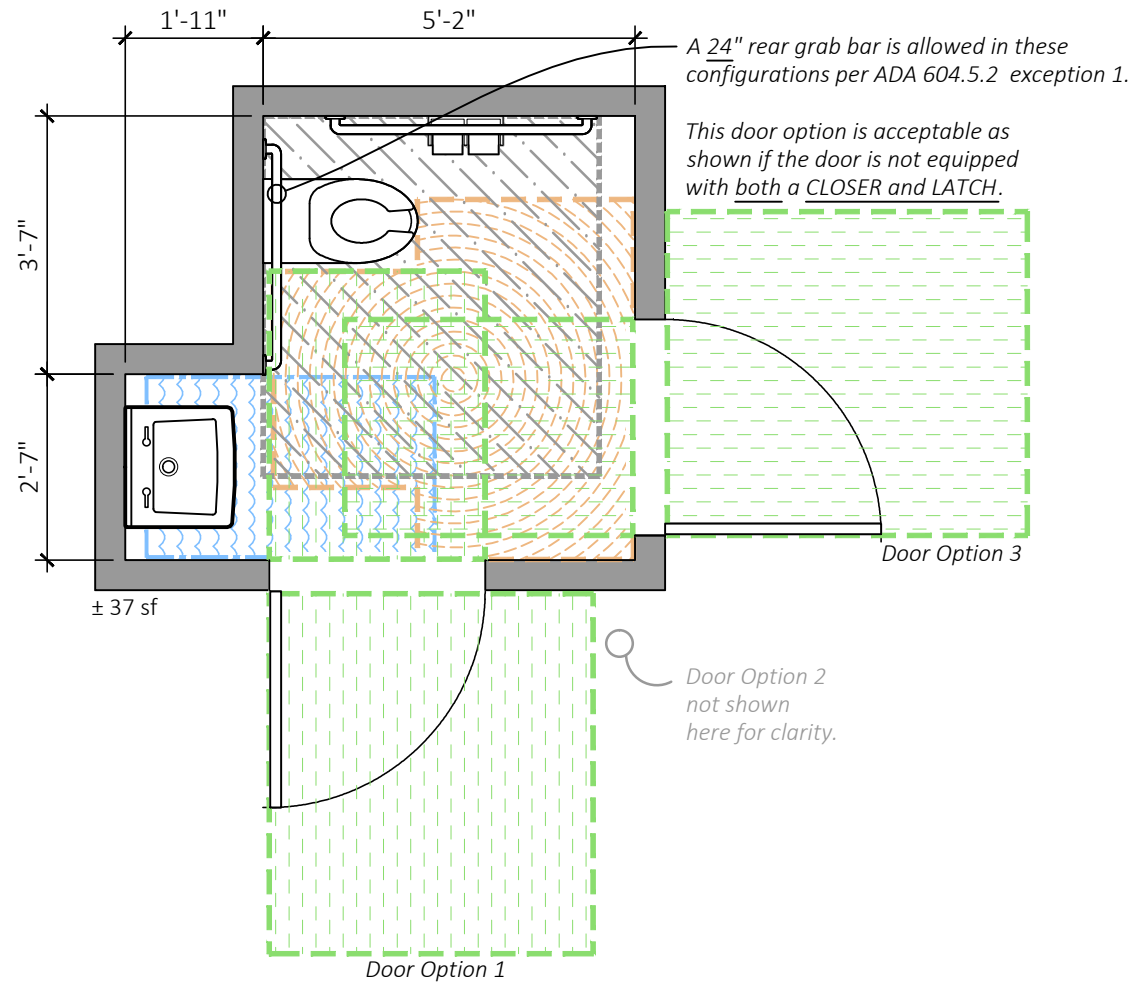
[visit us on the web](#)

One Perimeter Park South / Suite 200S  
Birmingham, AL 35243  
www.evanterry.com  
P: (205) 972-9100  
F: (205) 972-9110  
TTY: (205) 972-9112



**Evan Terry Associates**  
Architecture ♦ Accessible Design

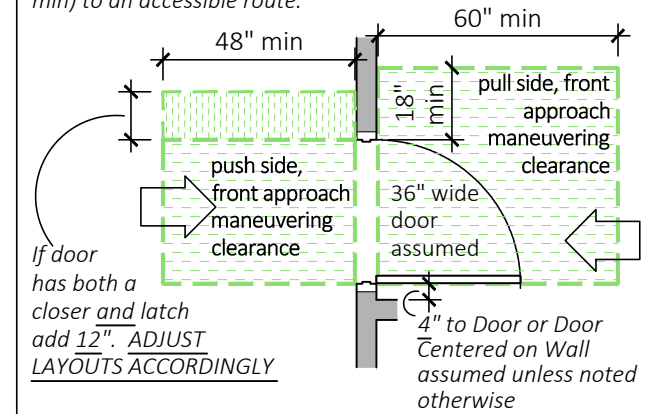
Accessible toilet rooms efficiently sized for the 2010 ADA (stricter state and/or local requirements may apply). Read all Notes before using this document. Room layouts usually have had 1" per wall added for construction tolerances. Adjust layouts according to local construction and material tolerances. Some dimensions are recommendations to indicate best practices and preferences; verification is required.



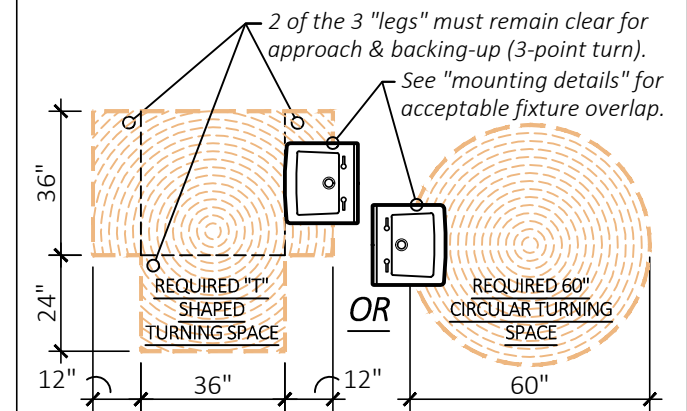
**type C<sub>b</sub>**  
fixtures around a corner & beside each other

IDENTIFY REQUIREMENTS UNIQUE TO YOUR PROJECT'S LOCAL JURISDICTION. VERIFY THE DIMENSIONS AND CONFIGURATION OF THE SPECIFIED FIXTURES AND FINISHES WHEN EVALUATING REQUIRED CLEARANCES.

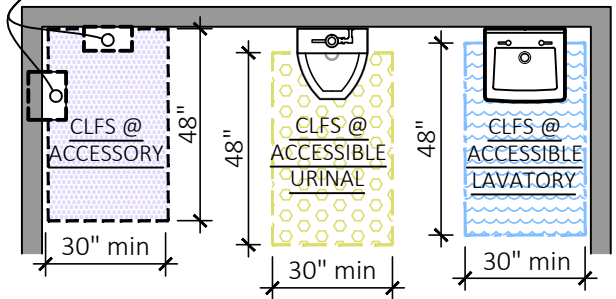
**GENERAL NOTE:** At least one side of all clear floor space, turning space and door maneuvering clearances must fully connect (36" min) to an accessible route.



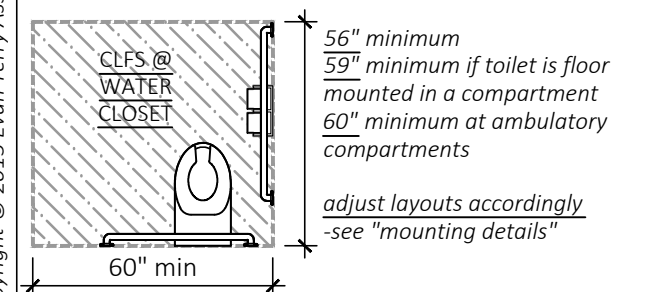
**FORWARD APPROACH DOOR MANEUVERING CLEARANCE:** 32" minimum clearance between the door stop and the face of door when door is opened to 90°.



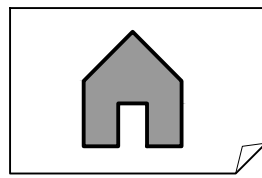
Verify knee and toe clearance at accessories.



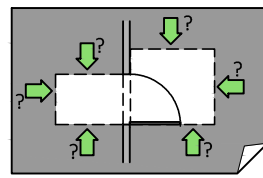
If CLEAR FLOOR SPACE (CLFS) is located in an alcove 24" or deeper, provide 36" width minimum (so that wheelchair users do not scrape their hands) -see "Mounting Details" and ADJUST LAYOUTS ACCORDINGLY



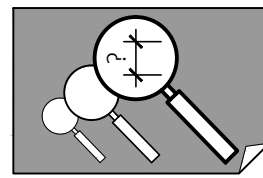
copyright © 2013 Evan Terry Associates



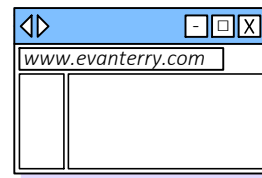
[cover sheet/home page](#)



[other door configurations](#)

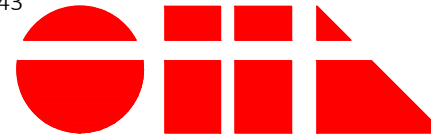


[mounting details](#)



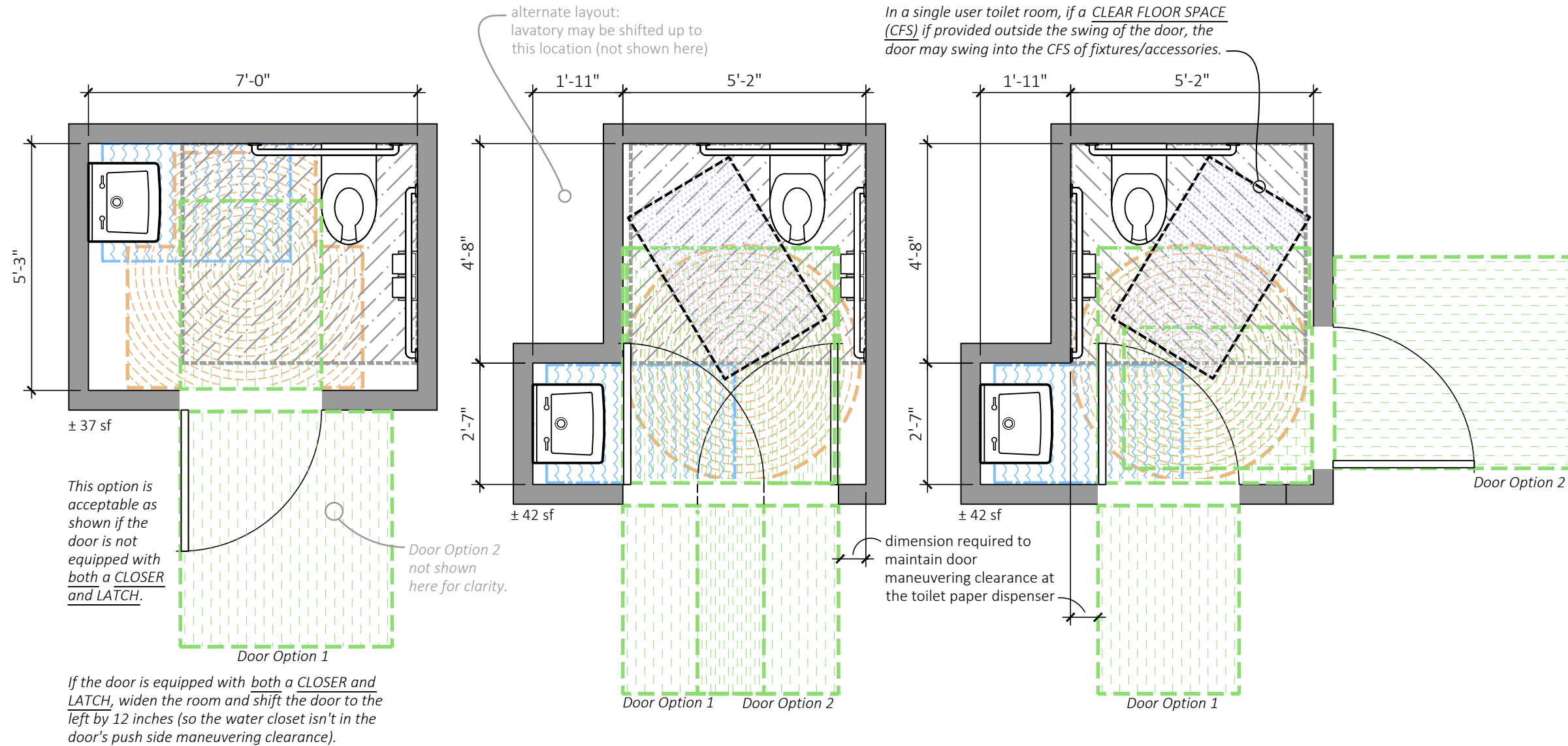
[visit us on the web](#)

One Perimeter South / Suite 200S  
Birmingham, AL 35243  
www.evanterry.com  
P: (205) 972-9100  
F: (205) 972-9110  
TTY: (205) 972-9112



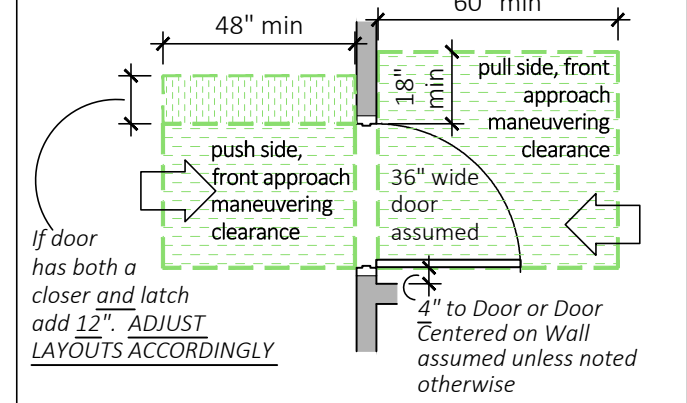
**Evan Terry Associates**  
Architecture ♦ Accessible Design

Accessible toilet rooms efficiently sized for the 2010 ADA (stricter state and/or local requirements may apply). Read all Notes before using this document. Room layouts usually have had 1" per wall added for construction tolerances. Adjust layouts according to local construction and material tolerances. Some dimensions are recommendations to indicate best practices and preferences; verification is required.

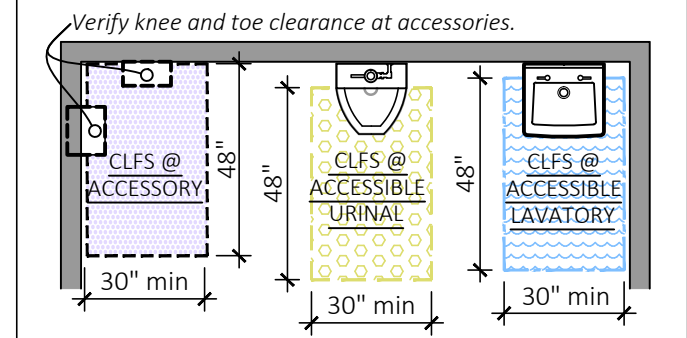
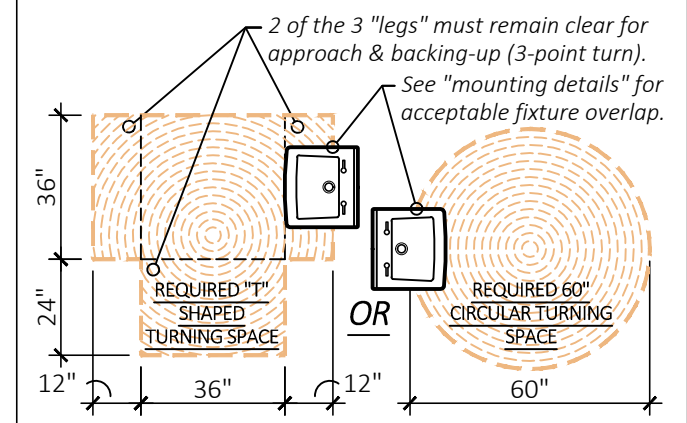


IDENTIFY REQUIREMENTS UNIQUE TO YOUR PROJECT'S LOCAL JURISDICTION. VERIFY THE DIMENSIONS AND CONFIGURATION OF THE SPECIFIED FIXTURES AND FINISHES WHEN EVALUATING REQUIRED CLEARANCES.

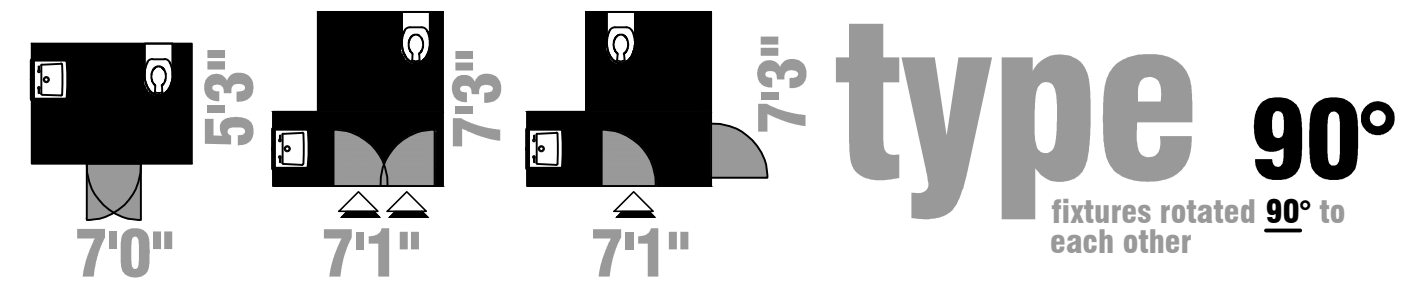
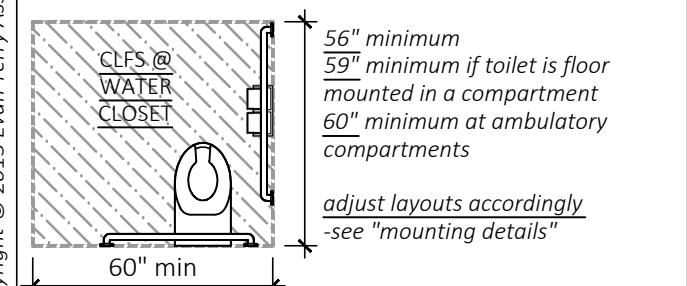
**GENERAL NOTE:** At least one side of all clear floor space, turning space and door maneuvering clearances must fully connect (36" min) to an accessible route.



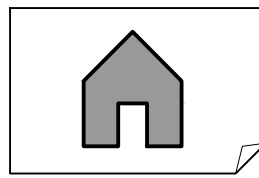
**FORWARD APPROACH DOOR MANEUVERING CLEARANCE:** 32" minimum clearance between the door stop and the face of door when door is opened to 90°.



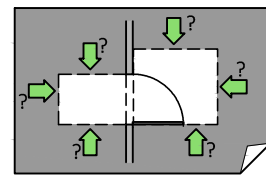
If CLEAR FLOOR SPACE (CLFS) is located in an alcove 24" or deeper, provide 36" width minimum (so that wheelchair users do not scrape their hands) -see "Mounting Details" and ADJUST LAYOUTS ACCORDINGLY



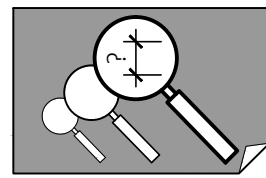
copyright © 2013 Evan Terry Associates



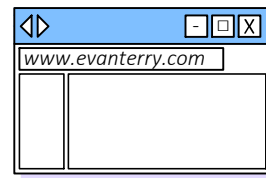
[cover sheet/home page](#)



[other door configurations](#)

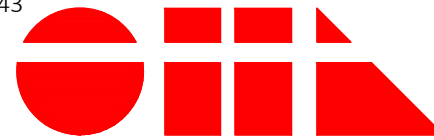


[mounting details](#)



[visit us on the web](#)

One Perimeter Park South / Suite 200S  
Birmingham, AL 35243  
www.evanterry.com  
P: (205) 972-9100  
F: (205) 972-9110  
TTY: (205) 972-9112

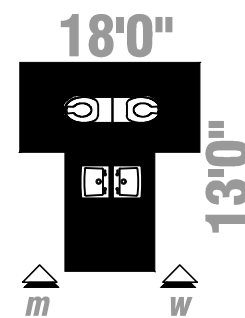
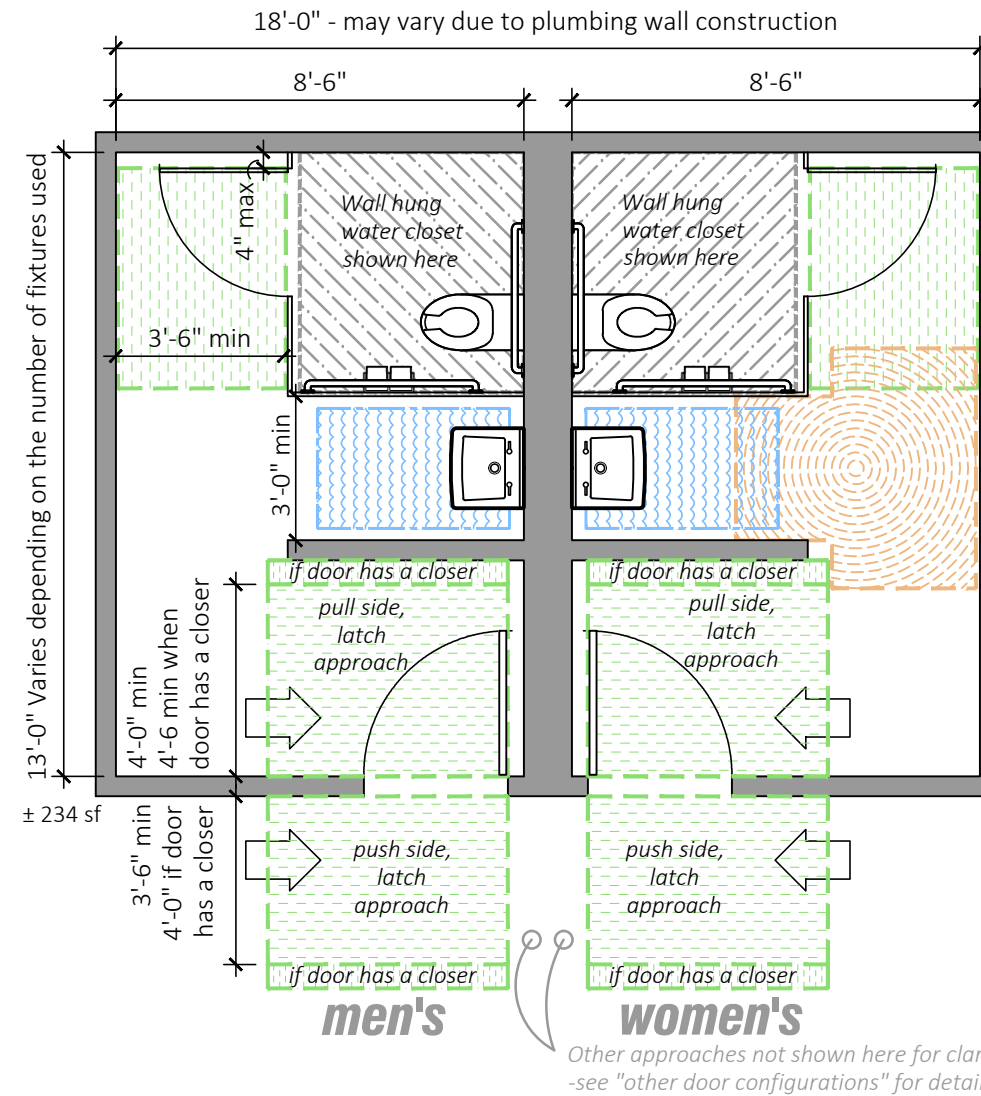


**Evan Terry Associates**  
Architecture ♦ Accessible Design

Accessible toilet rooms efficiently sized for the 2010 ADA (stricter state and/or local requirements may apply). Read all Notes before using this document. Room layouts usually have had 1" per wall added for construction tolerances. Adjust layouts according to local construction and material tolerances. Some dimensions are recommendations to indicate best practices and preferences; verification is required.

**2010 ADA Toilet Compartment Door & Door Hardware notes:**

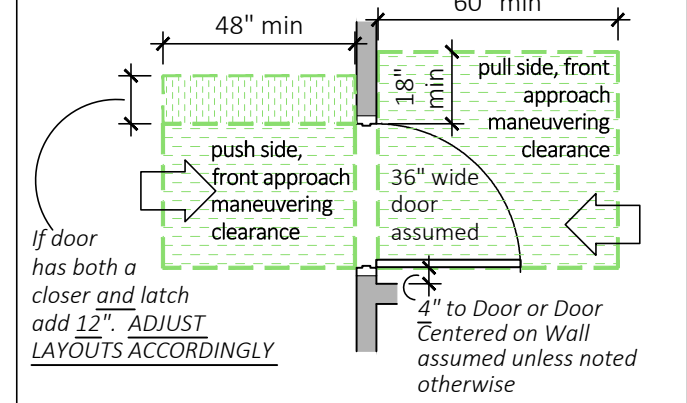
604.8.1.2 Doors. Toilet compartment doors, including door hardware, shall comply with 404 except that if the approach is to the latch side of the compartment door, clearance between the door side of the compartment and any obstruction shall be 42 inches (1065 mm) minimum. Doors shall be located in the front partition or in the side wall or partition farthest from the water closet. Where located in the front partition, the hinge side of the door shall be 4 inches (100 mm) maximum from the side wall or partition farthest from the water closet. Where located in the side wall or partition, the hinge side of the door opening shall be 4 inches (100 mm) maximum from the front partition. The door shall be self-closing. A door pull complying with 404.2.7 shall be placed on both sides of the door near the latch. Toilet compartment doors shall not swing into the minimum required compartment area.



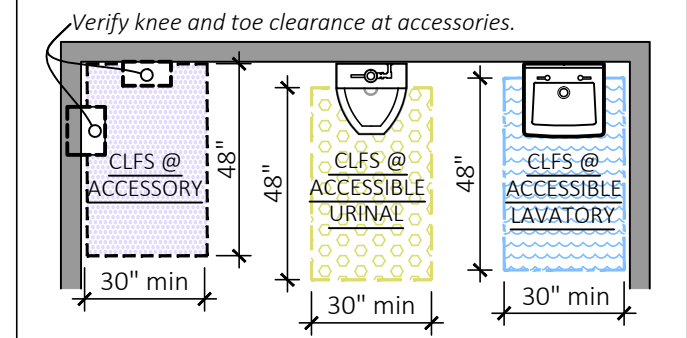
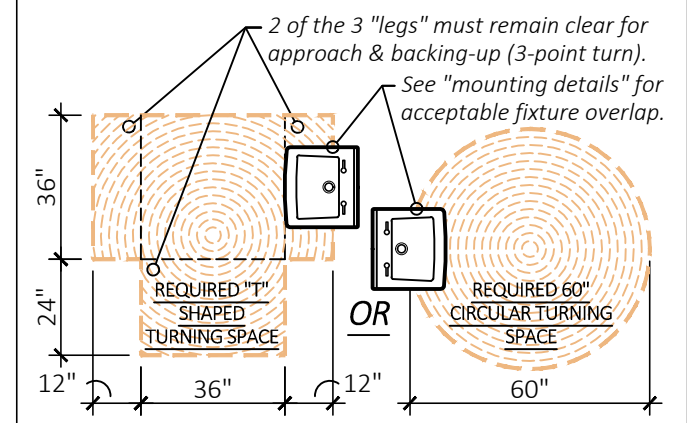
**type T**  
fixtures arranged in a "T" shaped configuration with fixtures back to back

IDENTIFY REQUIREMENTS UNIQUE TO YOUR PROJECT'S LOCAL JURISDICTION. VERIFY THE DIMENSIONS AND CONFIGURATION OF THE SPECIFIED FIXTURES AND FINISHES WHEN EVALUATING REQUIRED CLEARANCES.

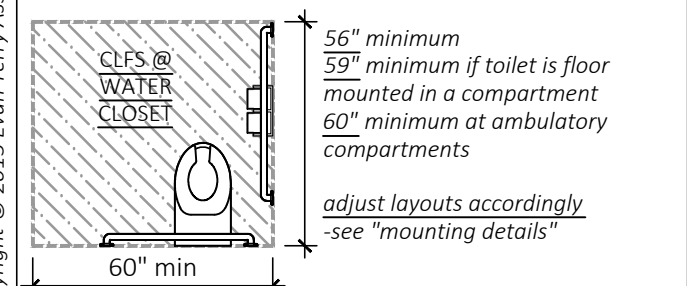
**GENERAL NOTE:** At least one side of all clear floor space, turning space and door maneuvering clearances must fully connect (36" min) to an accessible route.



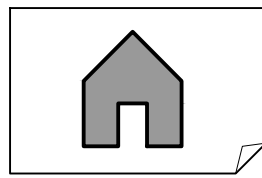
**FORWARD APPROACH DOOR MANEUVERING CLEARANCE:** 32" minimum clearance between the door stop and the face of door when door is opened to 90°.



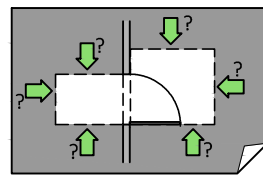
If CLEAR FLOOR SPACE (CLFS) is located in an alcove 24" or deeper, provide 36" width minimum (so that wheelchair users do not scrape their hands) -see "Mounting Details" and ADJUST LAYOUTS ACCORDINGLY



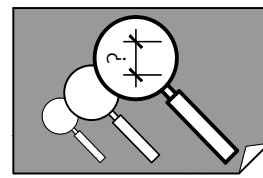
copyright © 2013 Evan Terry Associates



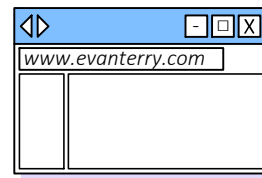
[cover sheet/home page](#)



[other door configurations](#)

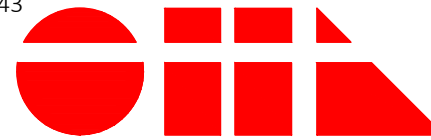


[mounting details](#)



[visit us on the web](#)

One Perimeter Park South / Suite 200S  
Birmingham, AL 35243  
www.evanterry.com  
P: (205) 972-9100  
F: (205) 972-9110  
TTY: (205) 972-9112

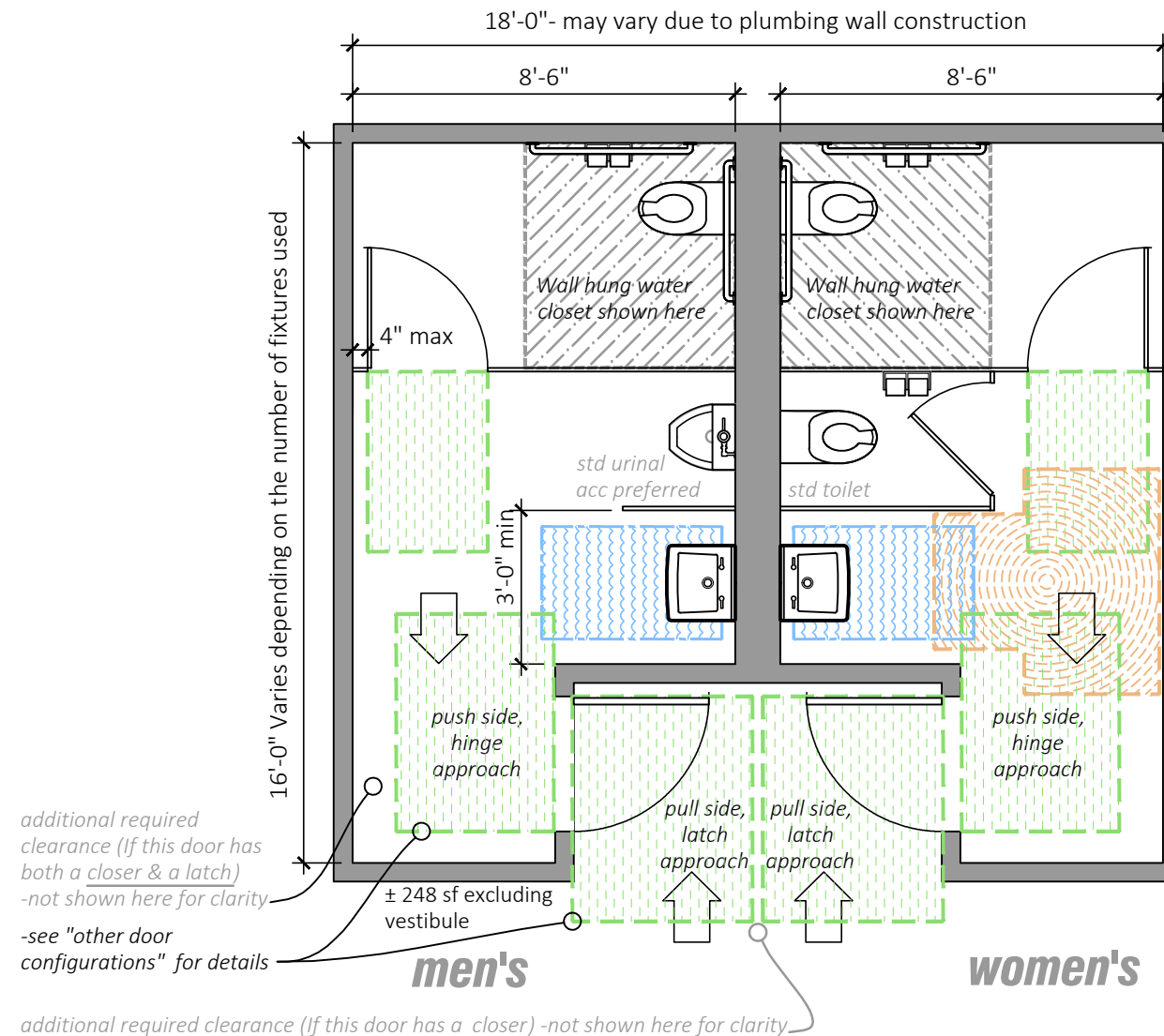


**Evan Terry Associates**  
Architecture ♦ Accessible Design

Accessible toilet rooms efficiently sized for the 2010 ADA (stricter state and/or local requirements may apply). Read all Notes before using this document. Room layouts usually have had 1" per wall added for construction tolerances. Adjust layouts according to local construction and material tolerances. Some dimensions are recommendations to indicate best practices and preferences; verification is required.

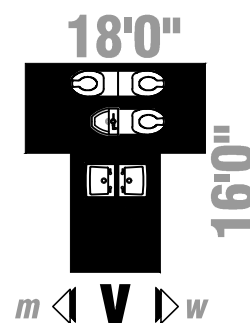
**2010 ADA Toilet Compartment Door & Door Hardware notes:**

604.8.1.2 Doors. Toilet compartment doors, including door hardware, shall comply with 404 except that if the approach is to the latch side of the compartment door, clearance between the door side of the compartment and any obstruction shall be 42 inches (1065 mm) minimum. Doors shall be located in the front partition or in the side wall or partition farthest from the water closet. Where located in the front partition, the hinge side of the door shall be 4 inches (100 mm) maximum from the side wall or partition farthest from the water closet. Where located in the side wall or partition, the hinge side of the door opening shall be 4 inches (100 mm) maximum from the front partition. The door shall be self-closing. A door pull complying with 404.2.7 shall be placed on both sides of the door near the latch. Toilet compartment doors shall not swing into the minimum required compartment area.



additional required clearance (If this door has both a closer & a latch) -not shown here for clarity -see "other door configurations" for details

additional required clearance (If this door has a closer) -not shown here for clarity

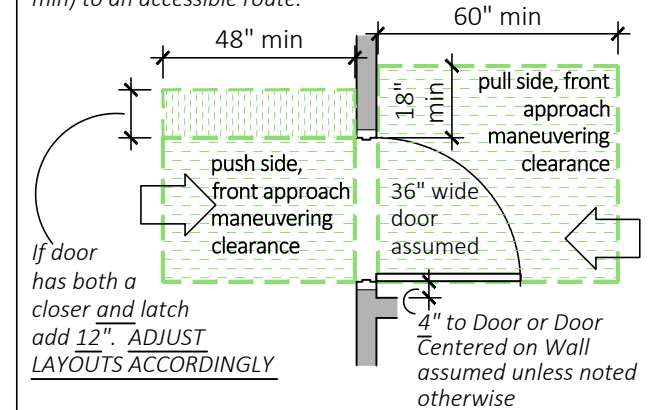


**type T<sub>v</sub>**

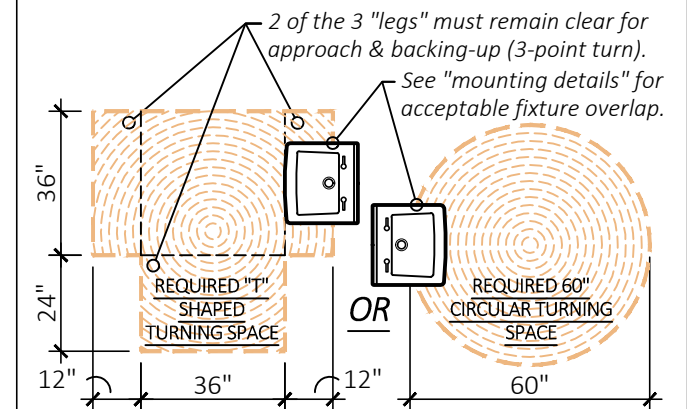
fixtures arranged in a "T" shaped configuration with a shared entry vestibule option

IDENTIFY REQUIREMENTS UNIQUE TO YOUR PROJECT'S LOCAL JURISDICTION. VERIFY THE DIMENSIONS AND CONFIGURATION OF THE SPECIFIED FIXTURES AND FINISHES WHEN EVALUATING REQUIRED CLEARANCES.

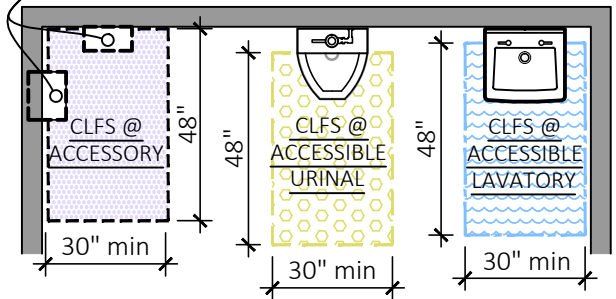
**GENERAL NOTE:** At least one side of all clear floor space, turning space and door maneuvering clearances must fully connect (36" min) to an accessible route.



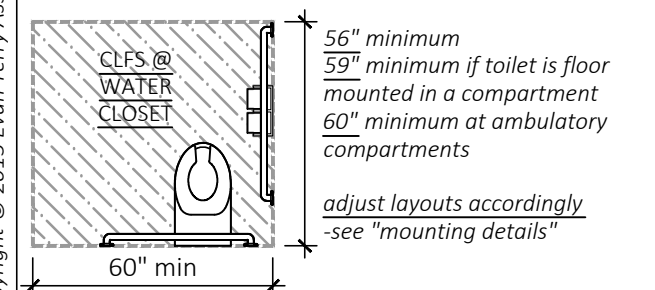
**FORWARD APPROACH DOOR MANEUVERING CLEARANCE:** 32" minimum clearance between the door stop and the face of door when door is opened to 90°.



Verify knee and toe clearance at accessories.

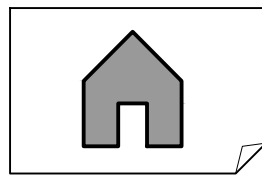


If CLEAR FLOOR SPACE (CLFS) is located in an alcove 24" or deeper, provide 36" width minimum (so that wheelchair users do not scrape their hands) -see "Mounting Details" and ADJUST LAYOUTS ACCORDINGLY

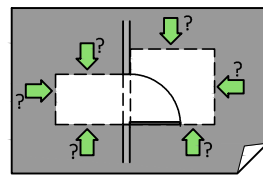


copyright © 2013 Evan Terry Associates

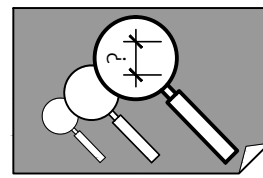




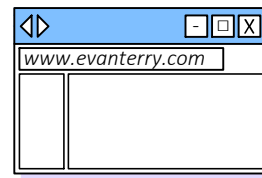
[cover sheet/home page](#)



[other door configurations](#)

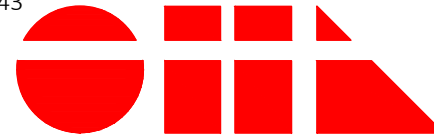


[mounting details](#)



[visit us on the web](#)

One Perimeter Park South / Suite 200S  
Birmingham, AL 35243  
www.evanterry.com  
P: (205) 972-9100  
F: (205) 972-9110  
TTY: (205) 972-9112

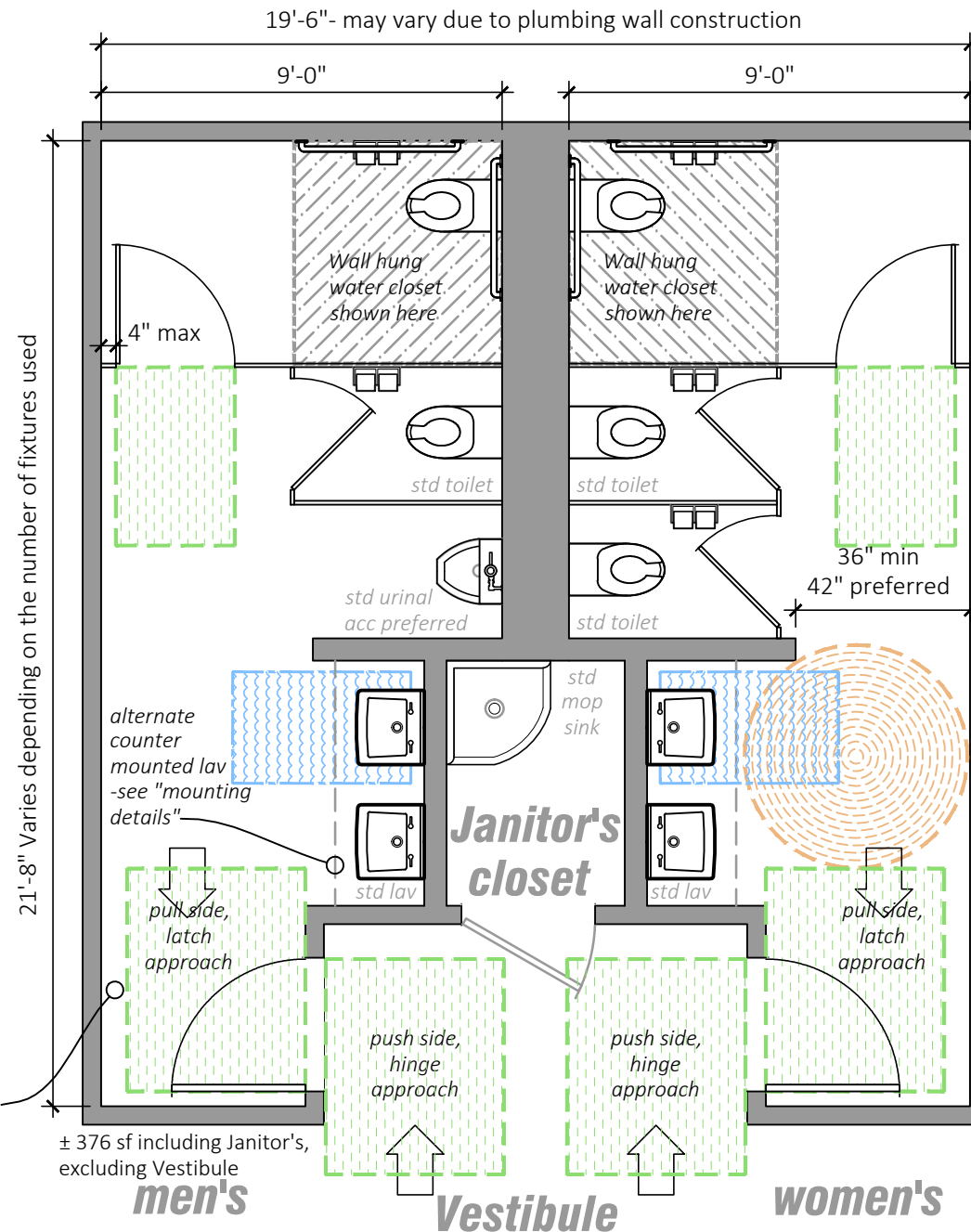


**Evan Terry Associates**  
Architecture ♦ Accessible Design

Accessible toilet rooms efficiently sized for the 2010 ADA (stricter state and/or local requirements may apply). Read all Notes before using this document. Room layouts usually have had 1" per wall added for construction tolerances. Adjust layouts according to local construction and material tolerances. Some dimensions are recommendations to indicate best practices and preferences; verification is required.

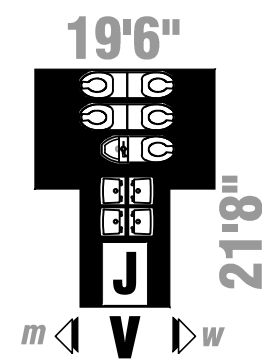
**2010 ADA Toilet Compartment Door & Door Hardware notes:**

604.8.1.2 Doors. Toilet compartment doors, including door hardware, shall comply with 404 except that if the approach is to the latch side of the compartment door, clearance between the door side of the compartment and any obstruction shall be 42 inches (1065 mm) minimum. Doors shall be located in the front partition or in the side wall or partition farthest from the water closet. Where located in the front partition, the hinge side of the door shall be 4 inches (100 mm) maximum from the side wall or partition farthest from the water closet. Where located in the side wall or partition, the hinge side of the door opening shall be 4 inches (100 mm) maximum from the front partition. The door shall be self-closing. A door pull complying with 404.2.7 shall be placed on both sides of the door near the latch. Toilet compartment doors shall not swing into the minimum required compartment area.



additional required clearance (if this door has a closer) -not shown here for clarity

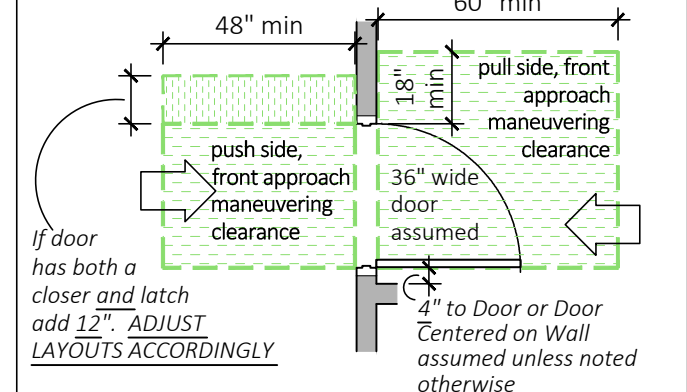
± 376 sf including Janitor's, excluding Vestibule



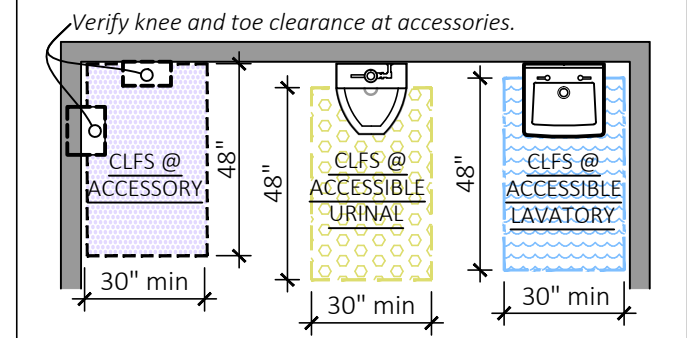
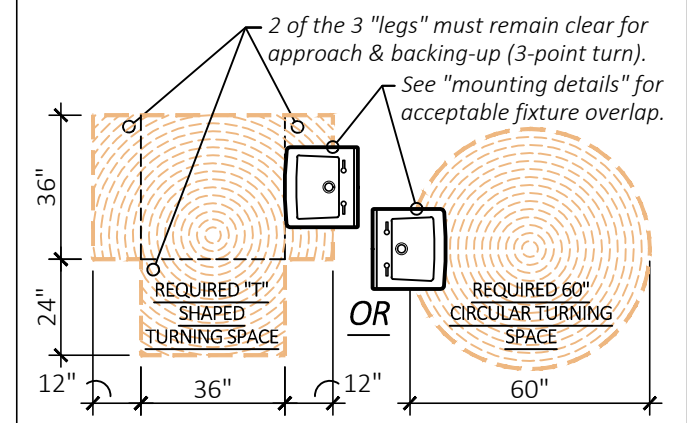
**type Tjv**  
fixtures arranged in a "T" shaped configuration with Janitor's closet and entry Vestibule options

IDENTIFY REQUIREMENTS UNIQUE TO YOUR PROJECT'S LOCAL JURISDICTION. VERIFY THE DIMENSIONS AND CONFIGURATION OF THE SPECIFIED FIXTURES AND FINISHES WHEN EVALUATING REQUIRED CLEARANCES.

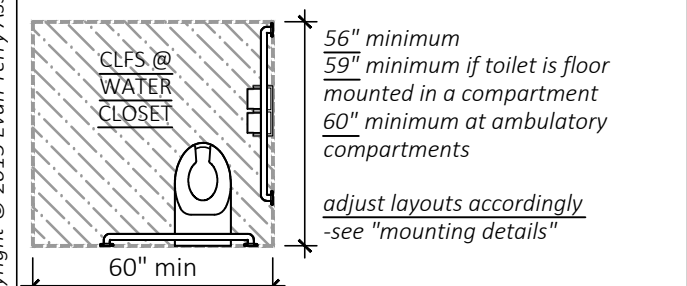
**GENERAL NOTE:** At least one side of all clear floor space, turning space and door maneuvering clearances must fully connect (36" min) to an accessible route.



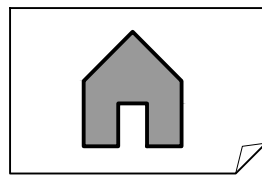
**FORWARD APPROACH DOOR MANEUVERING CLEARANCE:** 32" minimum clearance between the door stop and the face of door when door is opened to 90°.



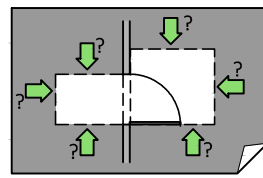
If CLEAR FLOOR SPACE (CLFS) is located in an alcove 24" or deeper, provide 36" width minimum (so that wheelchair users do not scrape their hands) -see "Mounting Details" and ADJUST LAYOUTS ACCORDINGLY



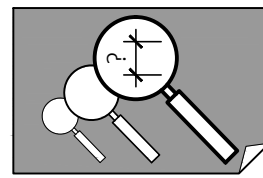
copyright © 2013 Evan Terry Associates



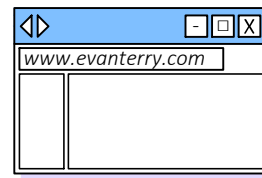
[cover sheet/home page](#)



[other door configurations](#)

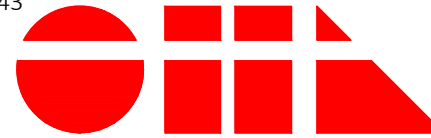


[mounting details](#)



[visit us on the web](#)

One Perimeter Park South / Suite 200S  
Birmingham, AL 35243  
www.evanterry.com  
P: (205) 972-9100  
F: (205) 972-9110  
TTY: (205) 972-9112

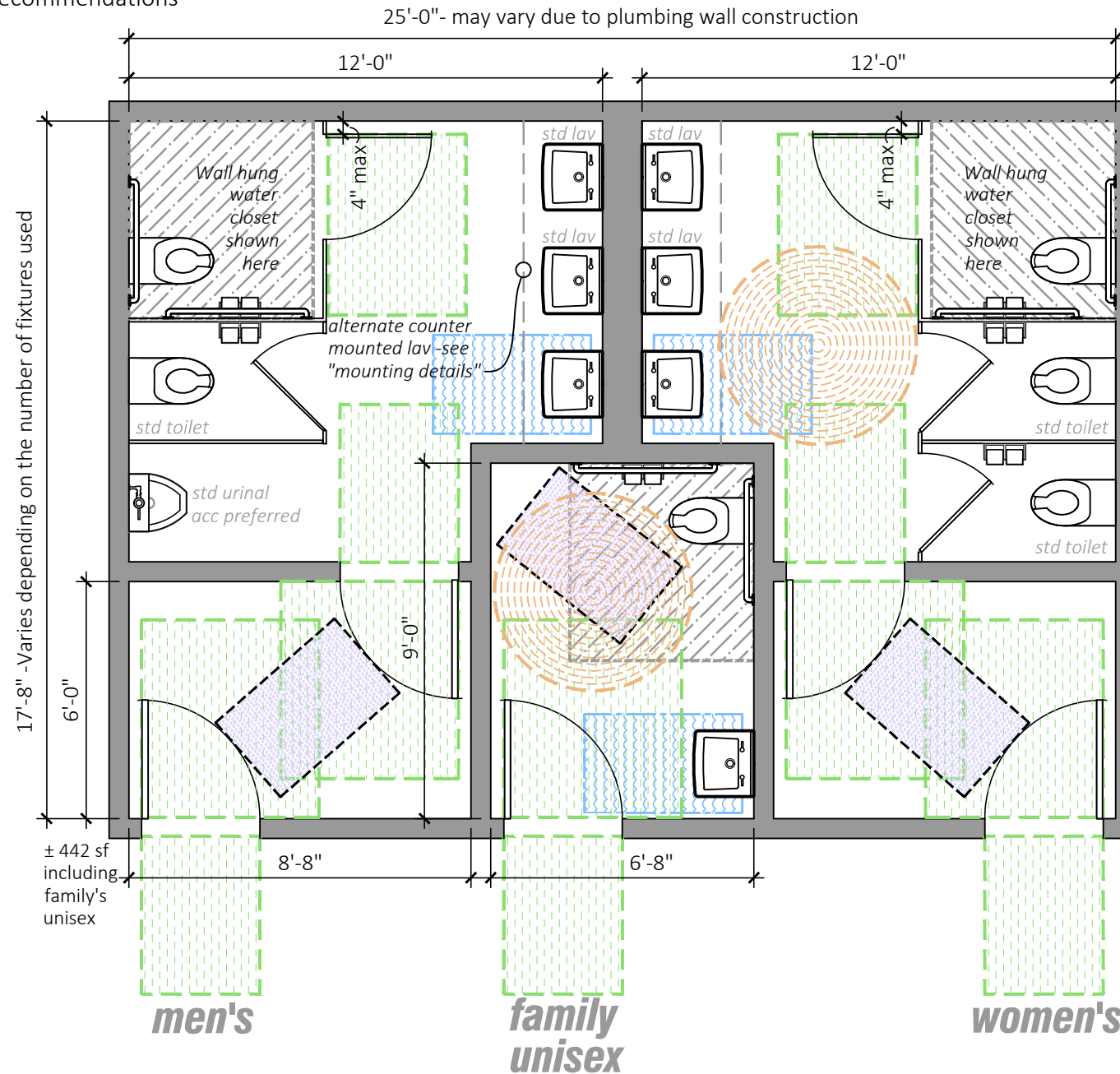


**Evan Terry Associates**  
Architecture ♦ Accessible Design

Accessible toilet rooms efficiently sized for the 2010 ADA (stricter state and/or local requirements may apply). Read all Notes before using this document. Room layouts usually have had 1" per wall added for construction tolerances. Adjust layouts according to local construction and material tolerances. Some dimensions are recommendations to indicate best practices and preferences; verification is required.

**2010 ADA Toilet Compartment Door & Door Hardware notes:**

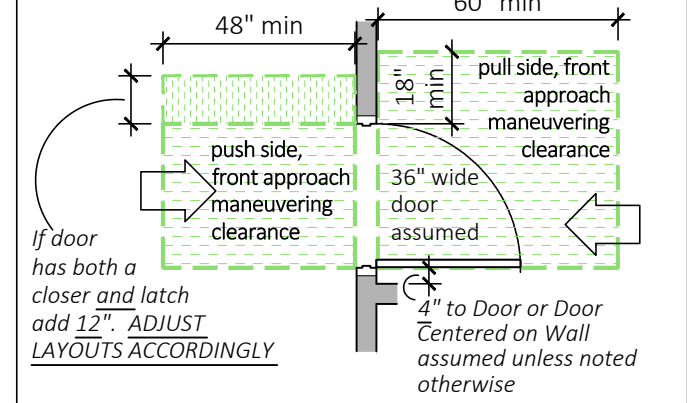
604.8.1.2 Doors. Toilet compartment doors, including door hardware, shall comply with 404 except that if the approach is to the latch side of the compartment door, clearance between the door side of the compartment and any obstruction shall be 42 inches (1065 mm) minimum. Doors shall be located in the front partition or in the side wall or partition farthest from the water closet. Where located in the front partition, the hinge side of the door shall be 4 inches (100 mm) maximum from the side wall or partition farthest from the water closet. Where located in the side wall or partition, the hinge side of the door opening shall be 4 inches (100 mm) maximum from the front partition. The door shall be self-closing. A door pull complying with 404.2.7 shall be placed on both sides of the door near the latch. Toilet compartment doors shall not swing into the minimum required compartment area.



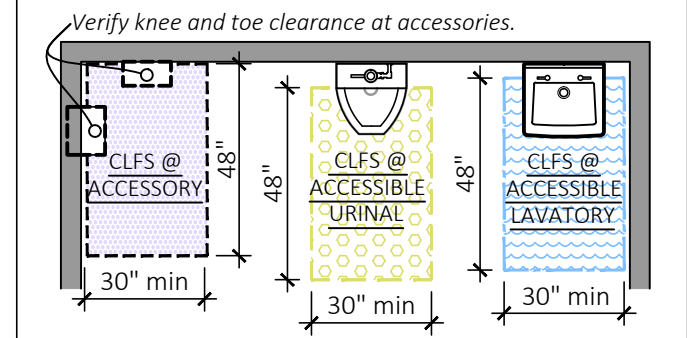
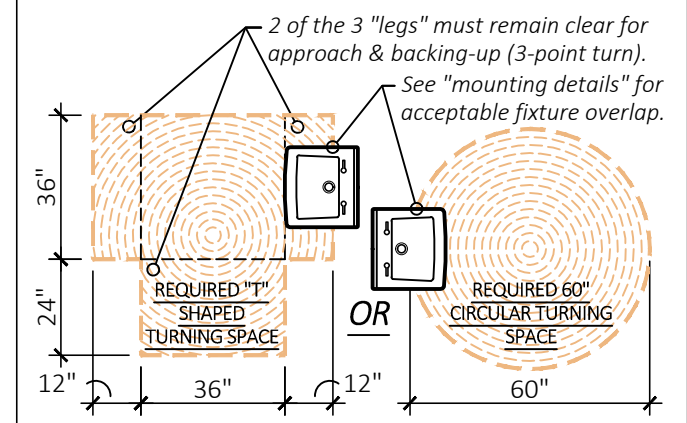
**25'0"**  
**m** **u** **w**  
**17'8"**  
**type m<sub>u</sub>**  
fixtures arranged in an "m" shaped configuration with a family **Unisex** Toilet room option at the entry

IDENTIFY REQUIREMENTS UNIQUE TO YOUR PROJECT'S LOCAL JURISDICTION. VERIFY THE DIMENSIONS AND CONFIGURATION OF THE SPECIFIED FIXTURES AND FINISHES WHEN EVALUATING REQUIRED CLEARANCES.

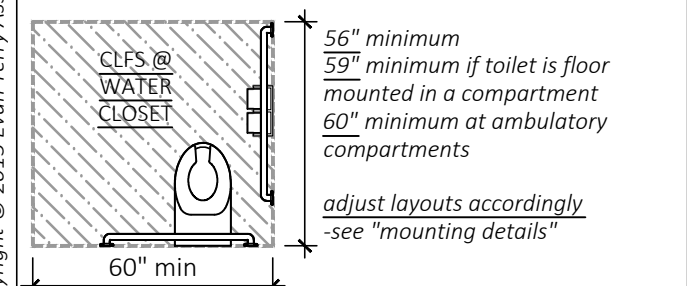
**GENERAL NOTE:** At least one side of all clear floor space, turning space and door maneuvering clearances must fully connect (36" min) to an accessible route.



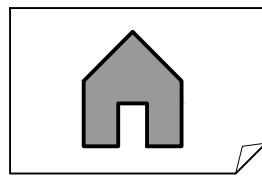
**FORWARD APPROACH DOOR MANEUVERING CLEARANCE:** 32" minimum clearance between the door stop and the face of door when door is opened to 90°.



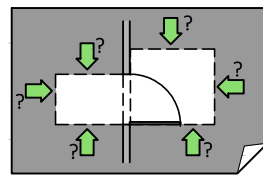
If **CLEAR FLOOR SPACE (CLFS)** is located in an alcove 24" or deeper, provide 36" width minimum (so that wheelchair users do not scrape their hands) -see "Mounting Details" and **ADJUST LAYOUTS ACCORDINGLY**



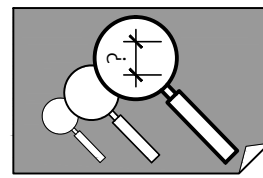
copyright © 2013 Evan Terry Associates



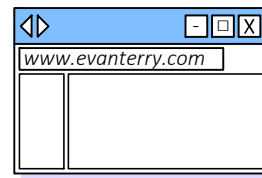
[cover sheet/home page](#)



[other door configurations](#)

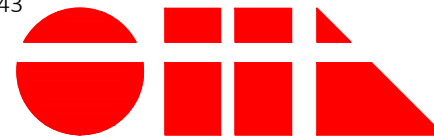


[mounting details](#)



[visit us on the web](#)

One Perimeter Park South / Suite 200S  
Birmingham, AL 35243  
www.evanterry.com  
P: (205) 972-9100  
F: (205) 972-9110  
TTY: (205) 972-9112

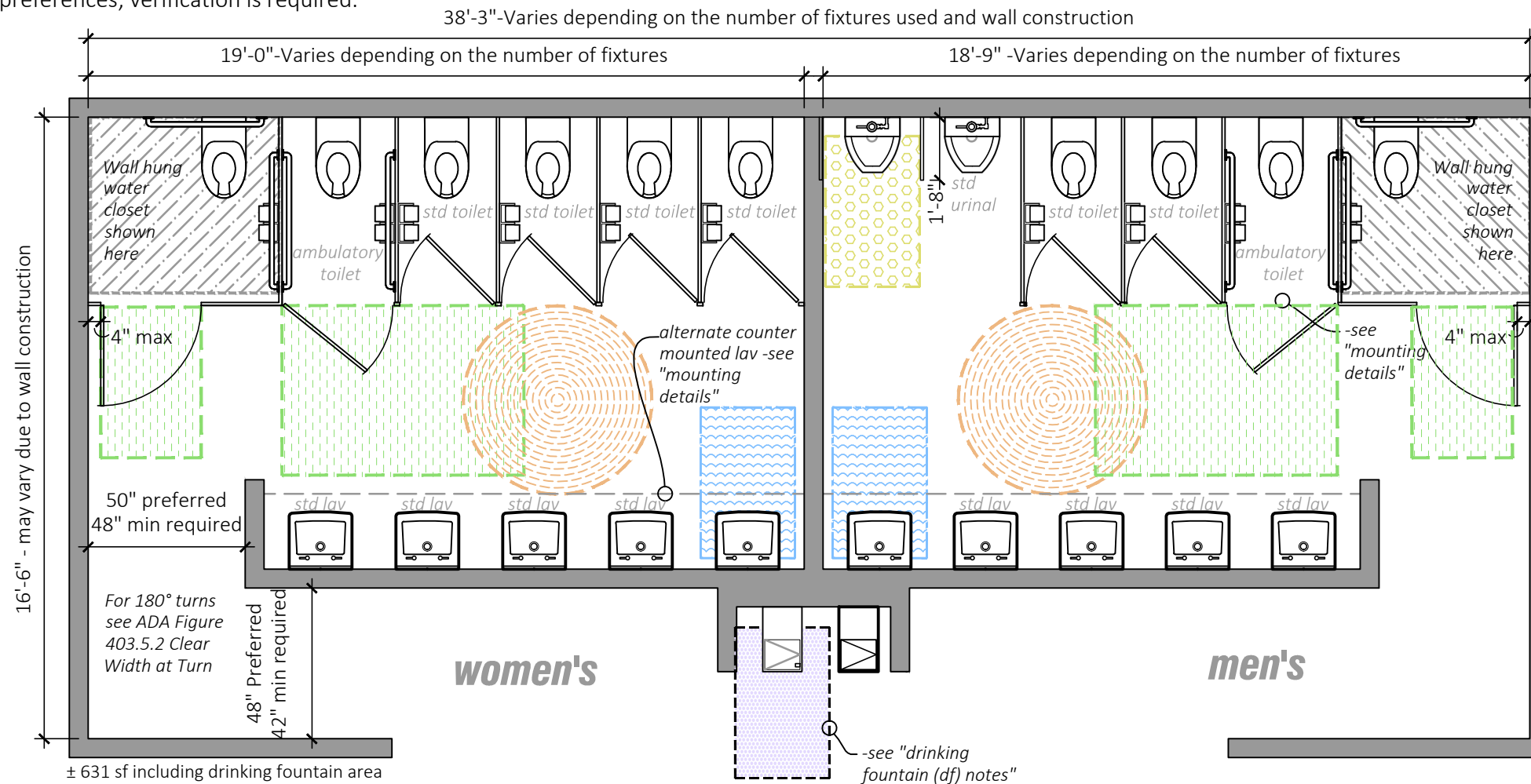


**Evan Terry Associates**  
Architecture ♦ Accessible Design

Accessible toilet rooms efficiently sized for the 2010 ADA (stricter state and/or local requirements may apply). Read all Notes before using this document. Room layouts usually have had 1" per wall added for construction tolerances. Adjust layouts according to local construction and material tolerances. Some dimensions are recommendations to indicate best practices and preferences; verification is required.

**2010 ADA Toilet Compartment Door & Door Hardware notes:**

604.8.1.2 Doors. Toilet compartment doors, including door hardware, shall comply with 404 except that if the approach is to the latch side of the compartment door, clearance between the door side of the compartment and any obstruction shall be 42 inches (1065 mm) minimum. Doors shall be located in the front partition or in the side wall or partition farthest from the water closet. Where located in the front partition, the hinge side of the door shall be 4 inches (100 mm) maximum from the side wall or partition farthest from the water closet. Where located in the side wall or partition, the hinge side of the door opening shall be 4 inches (100 mm) maximum from the front partition. The door shall be self-closing. A door pull complying with 404.2.7 shall be placed on both sides of the door near the latch. Toilet compartment doors shall not swing into the minimum required compartment area.



± 631 sf including drinking fountain area

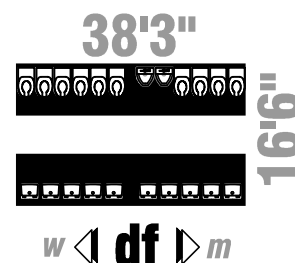
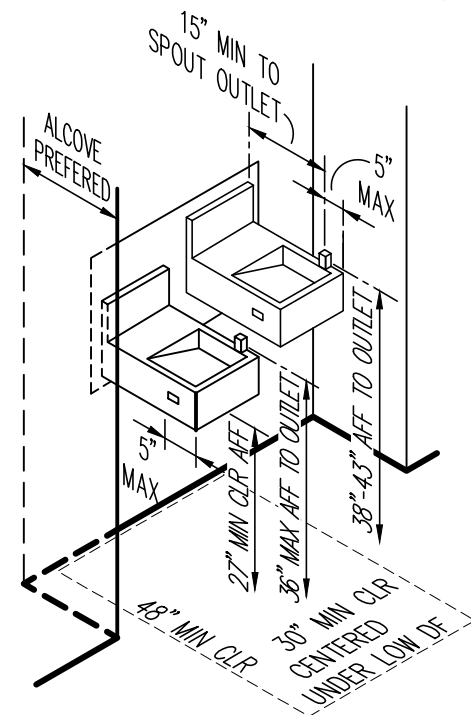
women's

men's

**drinking fountains**

**drinking fountain (df) notes:**

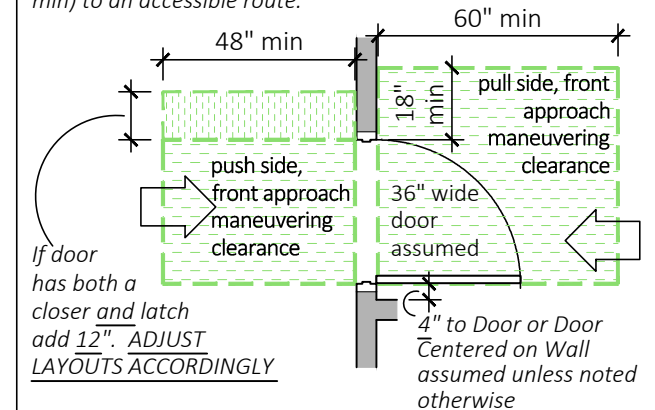
1. Verify adequate back wall thickness for the particular model of df to be installed.
2. If df is located in an alcove that is deeper than 24" provide a minimum clear width of 36" centered under the low df.
3. Adjust water flow so that the water stream is a minimum of 4" high (for filling cups). If the stream is less than 3" back from the front edge of the df adjust the angle back 30° horizontally from the front edge. If the stream is 3"-5" from the front edge of the df adjust the angle back 15° horizontally from front edge.
4. When not mounted in an alcove, verify that the underside of the low df be mounted exactly @ 27" above finished floor and that the hi df is provided with a cane detectable skirt or object below. No portion of the fountain above 27" is allowed to protrude more than 4" from any other lower portion of the fountain into corridor. Verify df maintains a 36" min clr circulation path around the fountains



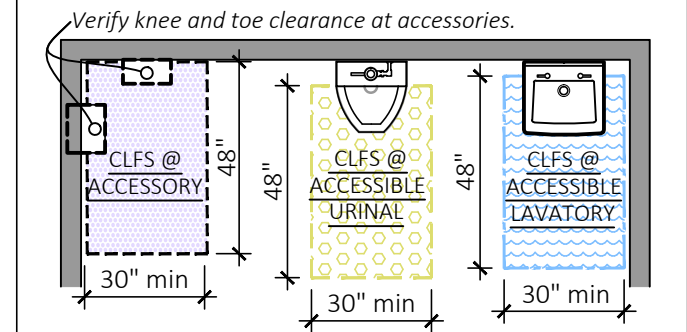
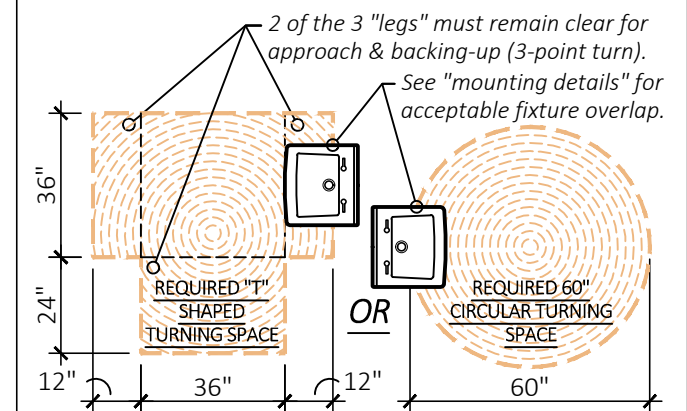
**type =**  
fixtures arranged in an " = " configuration with drinking fountains in a shared vestibule

IDENTIFY REQUIREMENTS UNIQUE TO YOUR PROJECT'S LOCAL JURISDICTION. VERIFY THE DIMENSIONS AND CONFIGURATION OF THE SPECIFIED FIXTURES AND FINISHES WHEN EVALUATING REQUIRED CLEARANCES.

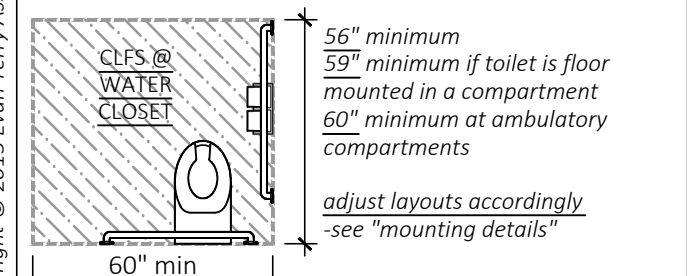
**GENERAL NOTE:** At least one side of all clear floor space, turning space and door maneuvering clearances must fully connect (36" min) to an accessible route.



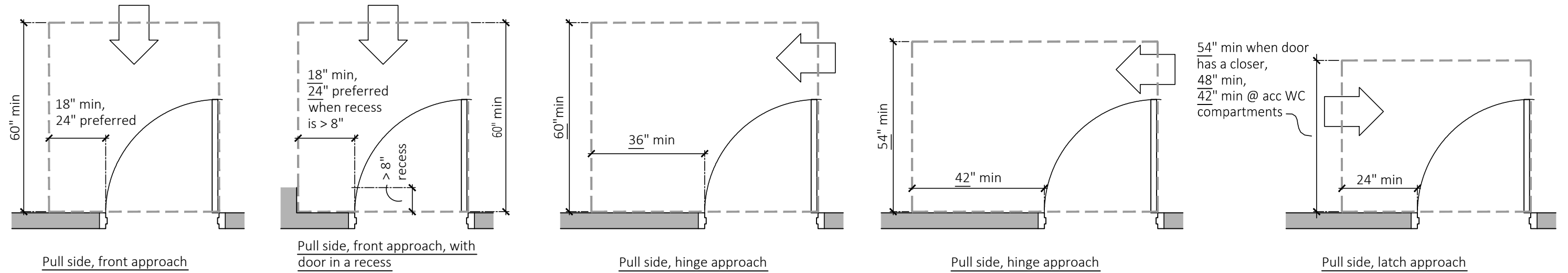
**FORWARD APPROACH DOOR MANEUVERING CLEARANCE:** 32" minimum clearance between the door stop and the face of door when door is opened to 90°.



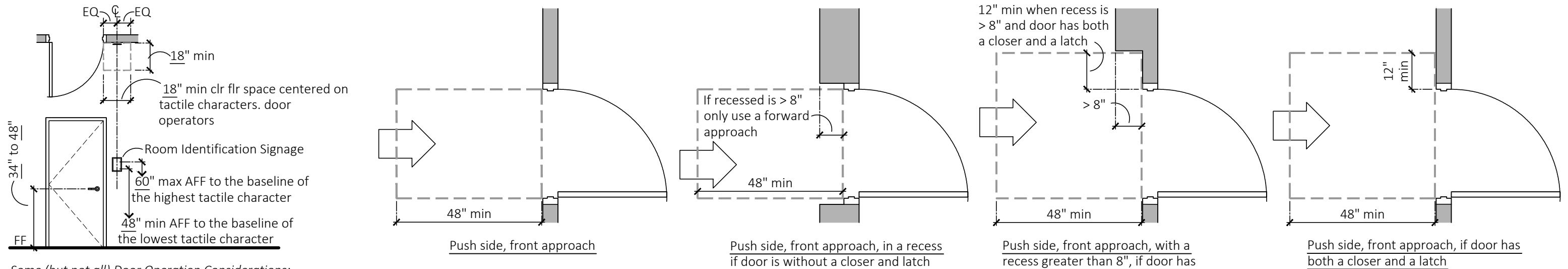
If CLEAR FLOOR SPACE (CLFS) is located in an alcove 24" or deeper, provide 36" width minimum (so that wheelchair users do not scrape their hands) -see "Mounting Details" and ADJUST LAYOUTS ACCORDINGLY



copyright © 2013 Evan Terry Associates



TYPICAL MINIMUM PULL SIDE CLEARANCES FOR DOORS



TYPICAL MINIMUM PUSH SIDE CLEARANCES FOR DOORS

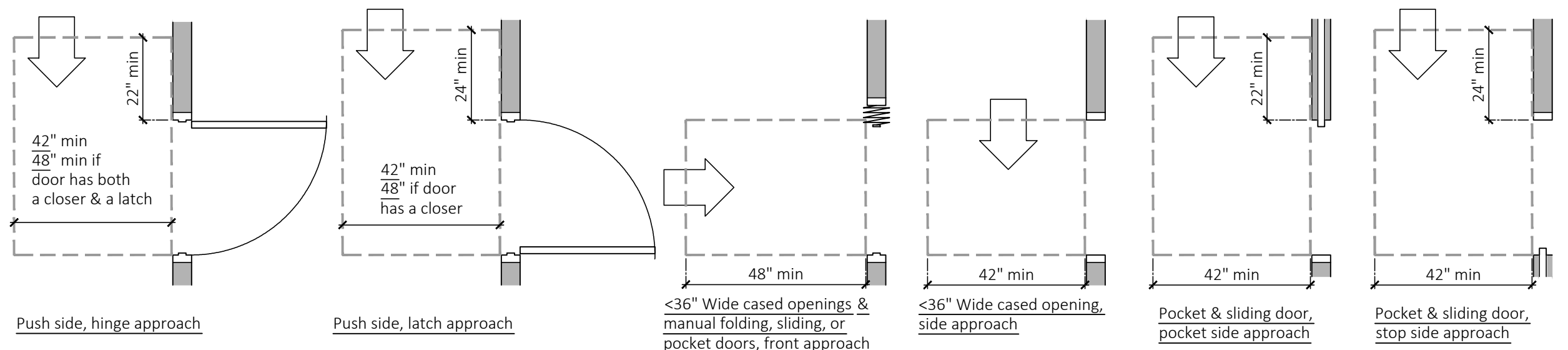
(cont.)

Some (but not all) Door Operation Considerations:

The shape of the door handle/pull/lever/operator should be easy to operate with one hand, with no tight grasping, pinching, or twisting of the wrist. Verify that the door specified meets all the requirements for operating forces, closer speeds, powered assist, threshold height, emergency power or any other applicable operating requirements as it applies to the specific condition.

Some (but not all) Signage Considerations:

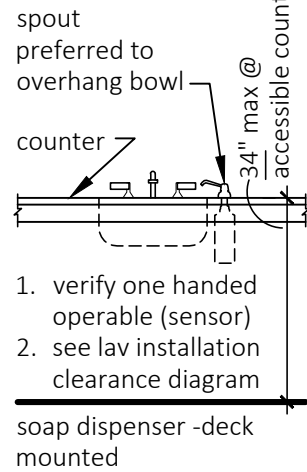
Verify that the sign specified meets all the tactile character, braille, and visual requirements in the 2010 ADA under section 703. An International Symbol of Accessibility (♿) is required at accessible toilet rooms where all toilet rooms are not accessible. Directional signage with an International Symbol of Accessibility is required to be located at inaccessible toilet rooms directing to the accessible toilet rooms.



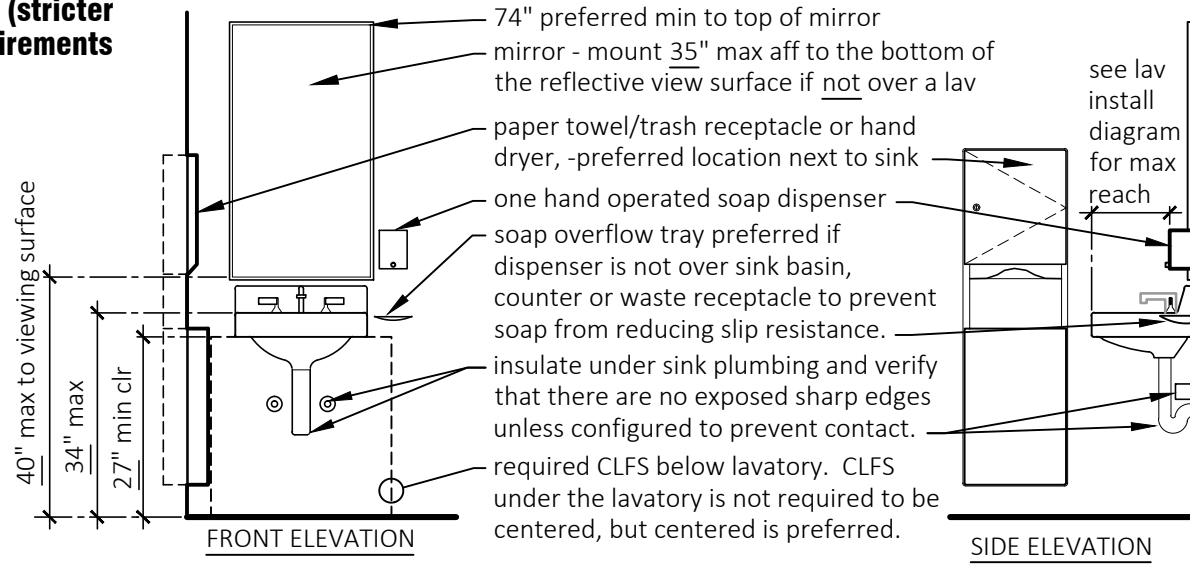
TOILET ROOM DOOR/SIGNAGE

(cont.) TYPICAL MINIMUM PUSH SIDE CLEARANCES FOR DOORS

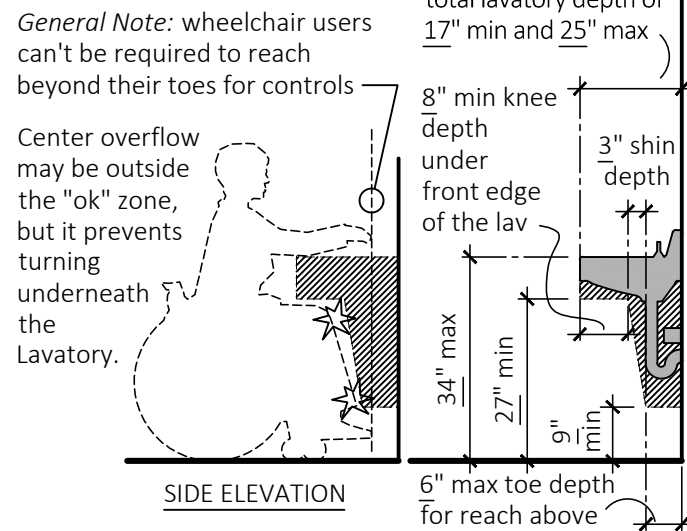
**Accessible toilet rooms minimally sized for the 2010 ADA (stricter state and/or local requirements may apply).**



**WALL MOUNTED LAVATORY AND MIRROR MOUNTING LOCATIONS**



**LAVATORY/SINK/DRINKING FOUNTAIN INSTALLATION CLEARANCE DIAGRAM**



**KEY TO HATCH PATTERN:**

- The "ok zone" is the acceptable location for the fixture, plumbing or enclosure serving an accessible lavatory.
- Installed lavatory profile to be installed entirely within the "ok zone"

**GENERAL LAVATORY/SINK/DRINKING FOUNTAIN DESIGN NOTE:**

if the total lav depth of the lav is to be greater than the 17", then the "ok zone" can be deepened by stretching the 8" min knee depth under the front edge of the lav to the left to incorporate the increased lav depth into the "ok zone" as long as:

1. the controls (hot/cold lever or soap dispenser etc.) are not further than 25" from the front edge and;
2. the fixture & plumbing still fit within the newly stretched "ok zone" as measured from the controls.

**GENERAL ACCESSORY NOTES:**

44" Max AFF to controls/operators if accessory is located over a lav or counter deeper than 20".

Verify Side and Front reach ranges (with Clear Floor Spaces) for Electrical outlets, switches, shelves, medicine cabinets, pass thrus, coat hooks or any other amenity not shown here should meet these requirements.

Locating the accessible lavatory adjacent to a sidewall aids in making accessories within reach ranges.

**GENERAL NOTES:**

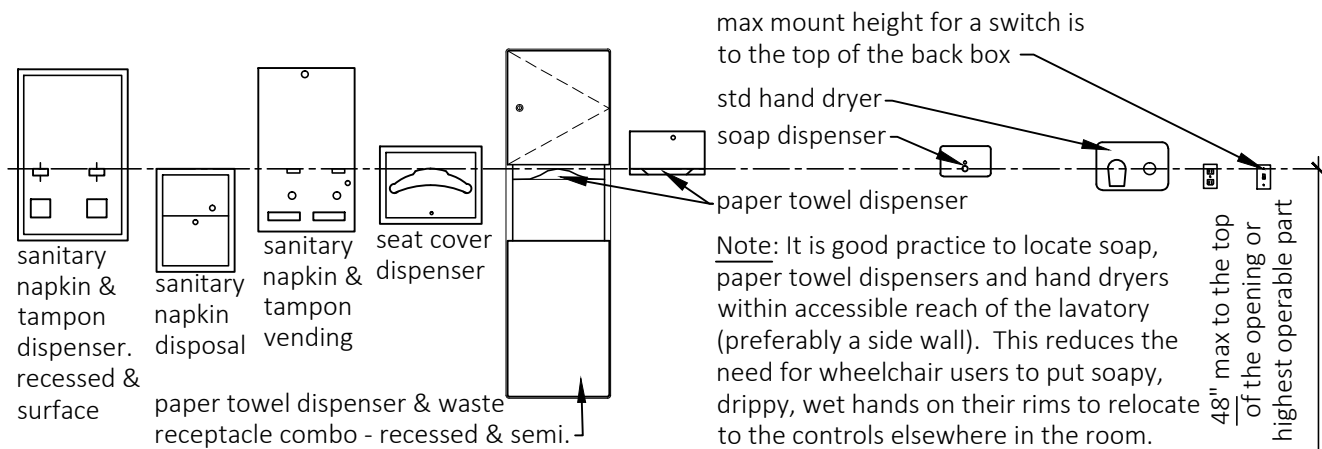
All operable parts shall be operable with one hand and shall not require tight grasping, pinching, or twisting of the wrist. The force required to activate operable parts shall be 5 pounds.

Fire alarm systems shall have permanently installed audible and visible alarms complying with 215.1 & 702.1 of the ADA and NFPA 72.

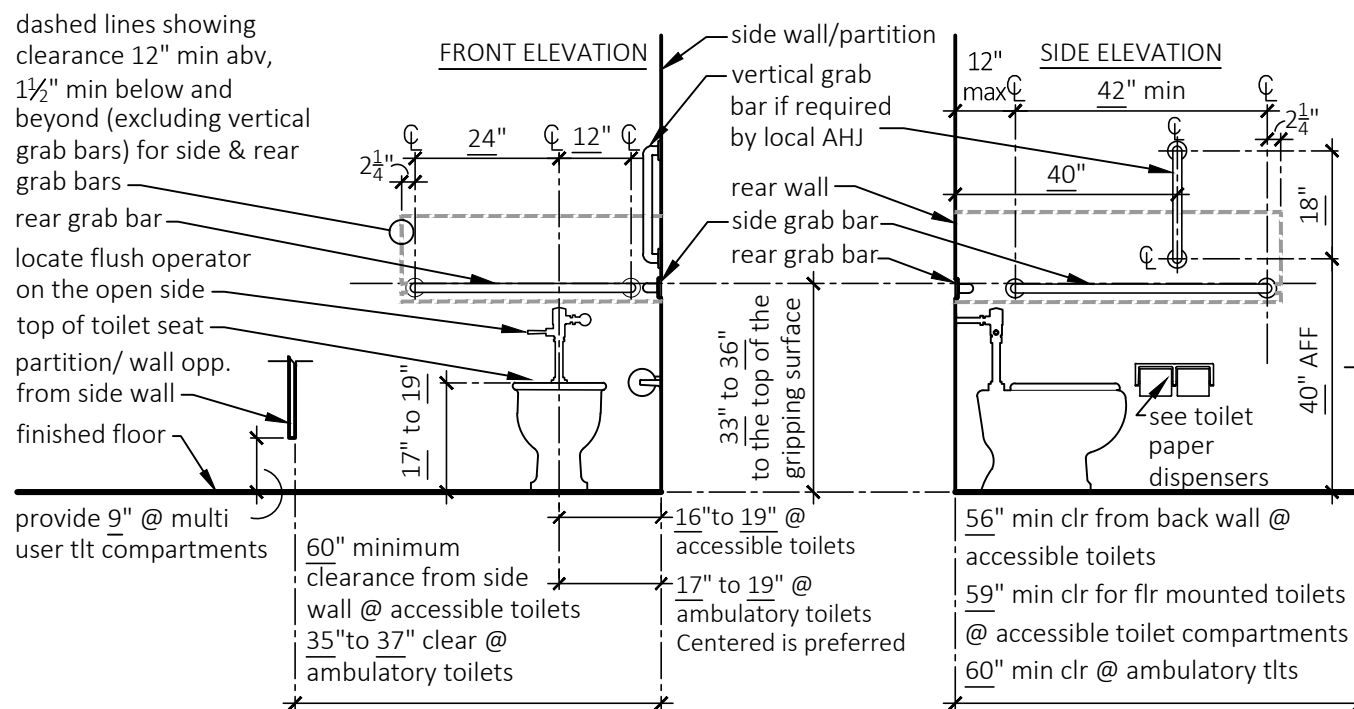
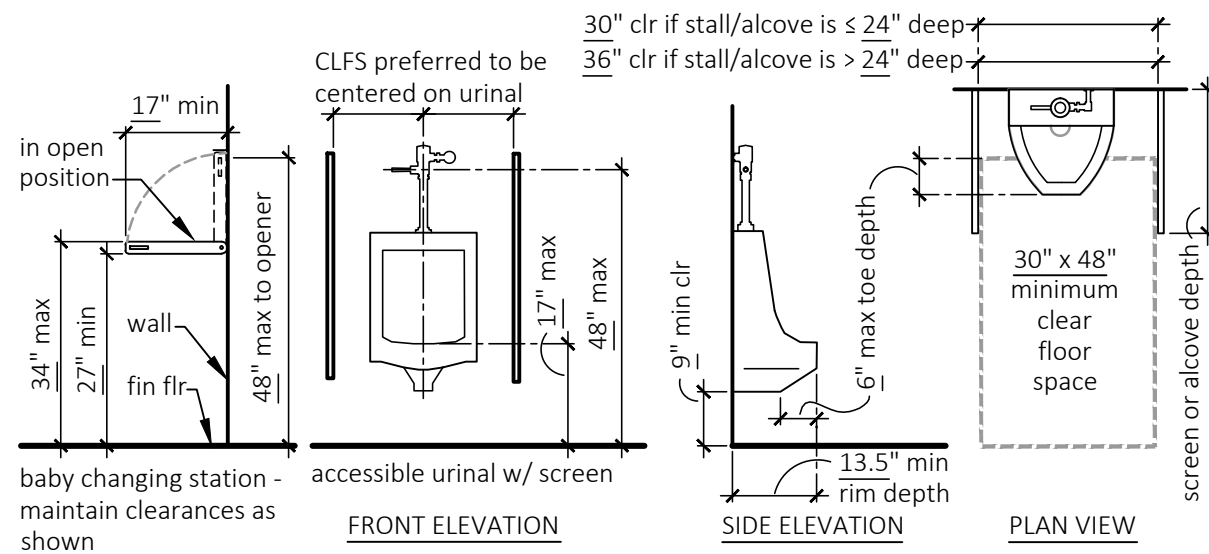
Visual and Tactile signs are to be provided per 216.2 and 703 of the ADA.

Floor surface are to be non slip per 302.1 of the ADA and slope less than 2% (1.5% preferred) in any direction.

Any other additional design element/feature not shown here requires further study to ensure accessibility.



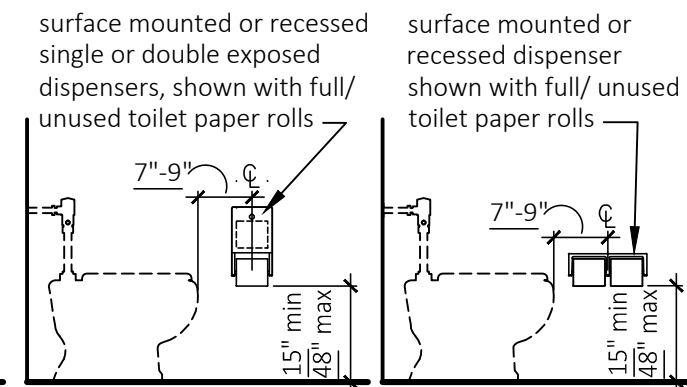
**Accessories**



**Grab Bars should:**

1. have a 1.5" outside diameter circular cross section preferred, other cross sections may be acceptable.
2. have a consistent 1.5" space between the grab bar and adjacent non abrasive wall.
3. not have sharp edges or be abrasive, but have rounded edges.
4. be firm, not rotate or move in its fittings, and resist 250 lbs (500 lbs preferred) applied at any point.

partition/wall opposite from rear wall



toilet paper dispensers - side elevations - mounting locations for various dispenser types at accessible (acc), and ambulatory (amb) water closets (WCs).

provide 9" @ multi user tlt compartments  
60" minimum clearance from side wall @ accessible toilets  
35" to 37" clear @ ambulatory toilets  
16" to 19" @ accessible toilets  
17" to 19" @ ambulatory toilets  
Centered is preferred  
56" min clr from back wall @ accessible toilets  
59" min clr for flr mounted toilets @ accessible toilet compartments  
60" min clr @ ambulatory tlts  
9" @ multi user compartments

**Accessible toilet rooms minimally sized for the 2010 ADA (stricter state requirements may apply).**