



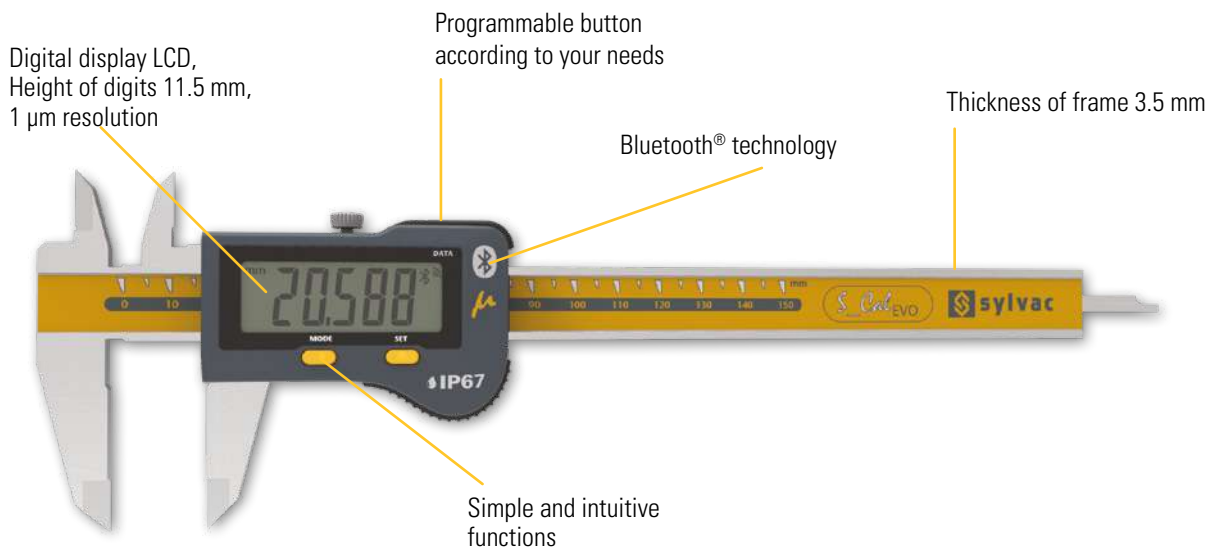
Micron Caliper

S_Cal EVO

DESCRIPTION

SMART MICRON

- High-quality ergonomic caliper with micron display and integrated Bluetooth® system
- Hardened and finely ground stainless steel frame, thickness 3.5 mm
- New extra-large display unit, resolution 0.001 mm, digits height 11.5 mm
- Preset function to measure by comparison
- Convenient push button for sending data that can also be programmed with another function
- Memorising the home position even when the instrument is switched off
- Available in the following executions :
 - Measuring range 150 mm with rectangular depth rod
 - Measuring range 150 mm with cylindrical depth rod
- Protection class IP67
- Delivered with calibration certificate
- Wheel available as an option



ISO 13385-1



* SIS description on page 5



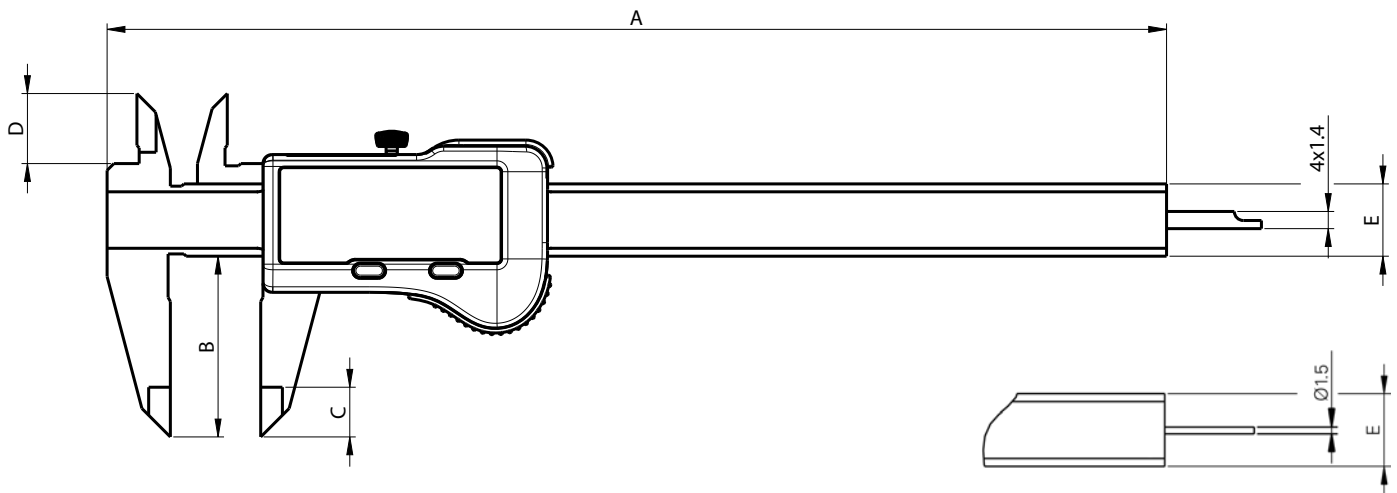


Micron Caliper

S_Cal EVO

DIMENSIONAL DRAWING

SMART MICRON



TECHNICAL SPECIFICATIONS

		810-9506	810-9516
Measuring range	mm	150	150
Max. Error G - external measurements	µm	20 ¹⁾	20 ¹⁾
Max. Error - internal measurements	µm	20-30 ²⁾	20-30 ²⁾
Resolution	mm	0.001	
A	mm	234.5	234.5
B	mm	40	40
C	mm	11	11
D	mm	16	16
E	mm	16 x 3.5	16 x 3.5
Depth rod	mm	4 x 1.4	Ø 1.5
Protection rating according to IEC 60529		IP67	IP67
Output data		Bluetooth® wireless technology*	
Functions		Zero setting, Preset (max 999.99), mm/inch, Hold, Data	
Smart Inductive Sensor		●	

¹⁾ 0-150 mm : 20 µm / ISO13385-1
> 150 mm : 30 µm / ISO13385-1

²⁾ Ø4-25 : 20 µm / ISO13385-1
Ø26-150 : 30 µm / ISO13385-1

*** Up to 8 instruments connected per dongle #981-7100**