

SHAD

Urban bags for city bikers



MANUAL DE USO

Genuine Bar Bag 3L



CUIDADOS Y MANTENIMIENTO



Correa bandolera recogida en circulación
(se recomienda desanclar y meter dentro).

Carga máxima permitida **(1,5KG)**.

Uso recomendado para trayectos urbanos e interurbanos.

MANTENIMIENTO Y LIMPIEZA

En el caso de que se necesite limpiar la bolsa, utilizar un trapo suave humedecido en una disolución de agua y jabón neutro.

Se recomienda verificar habitualmente el estado de los mecanismos para evitar daños.



CARACTERÍSTICAS



3L de capacidad



1,5Kg de carga máxima



Modo manillar



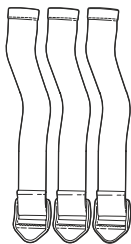
Modo sling bag



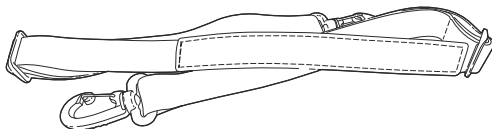
Alta resistencia UV

INCLUIDO

3 cintas



Correa bandolera

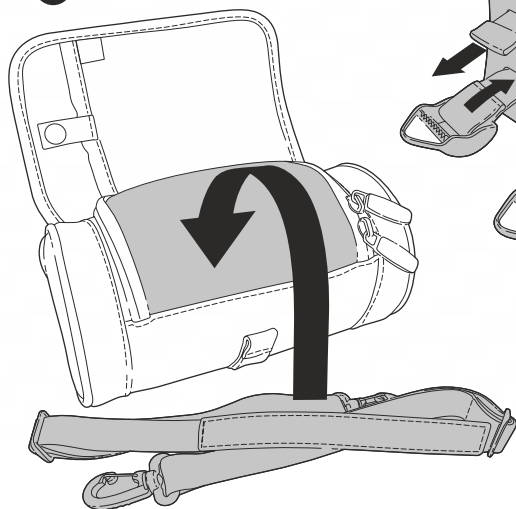


Separadores

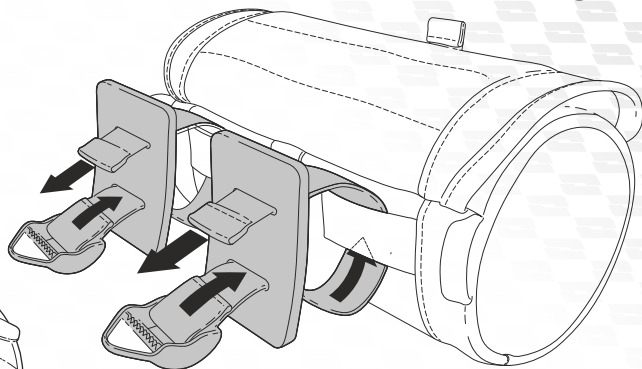


MONTAR

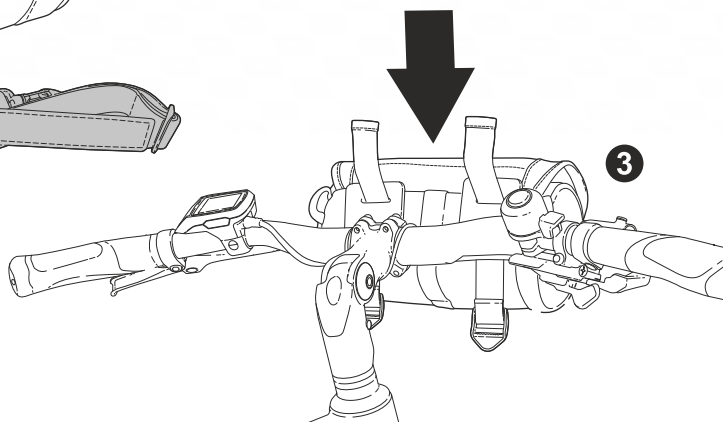
1



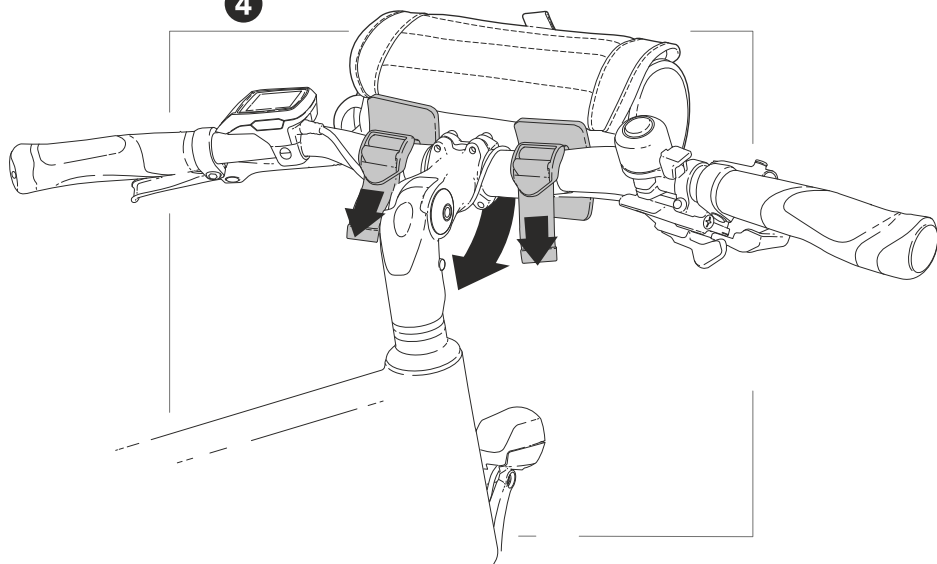
2

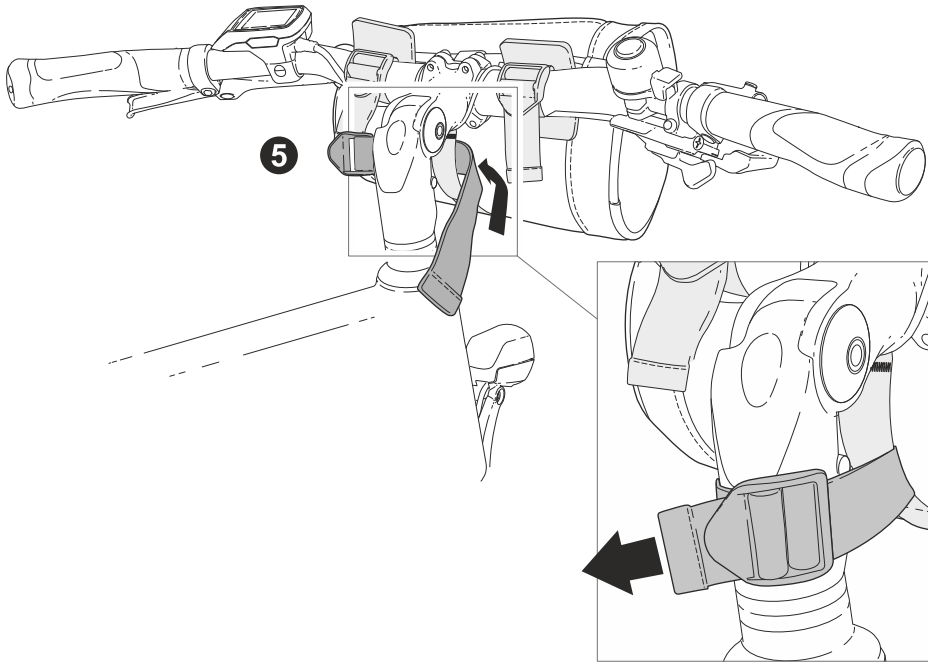


3

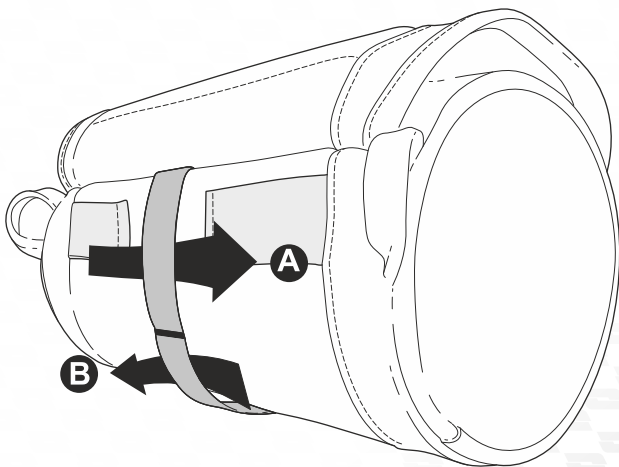


4



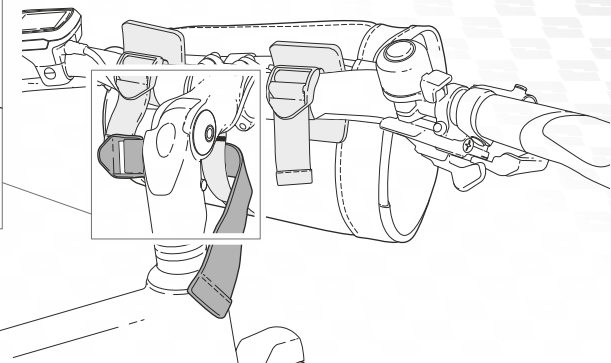
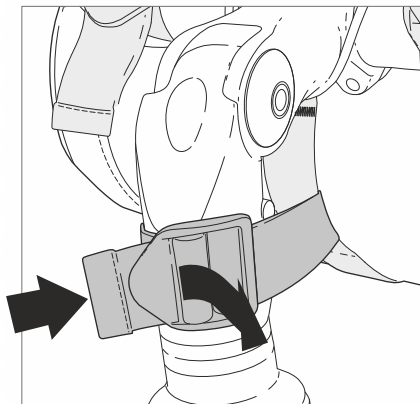


2 Posiciones

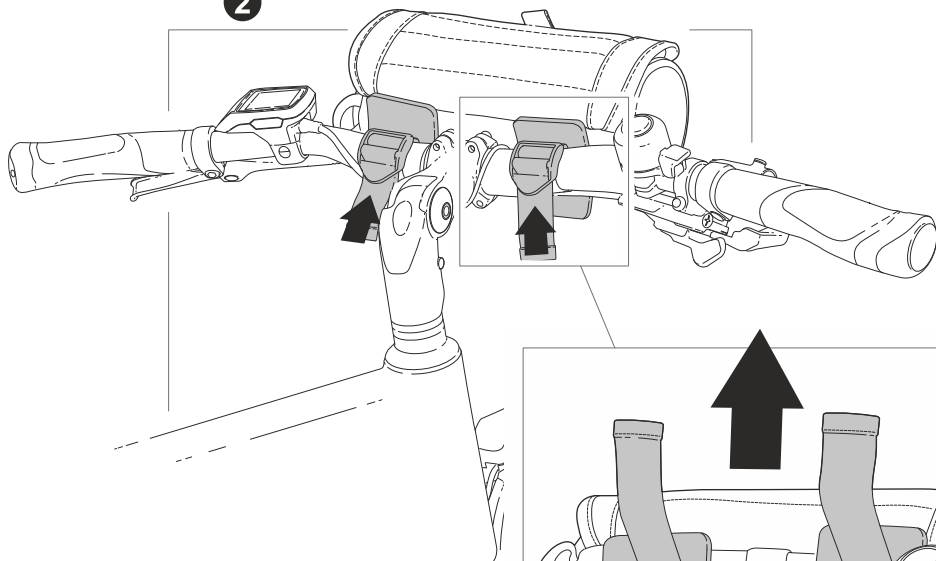


DESMONTAR

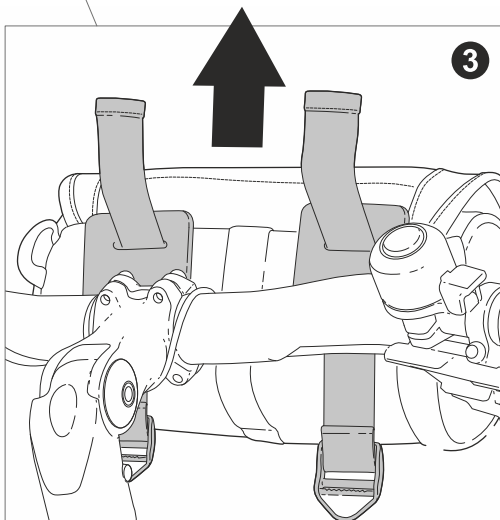
1



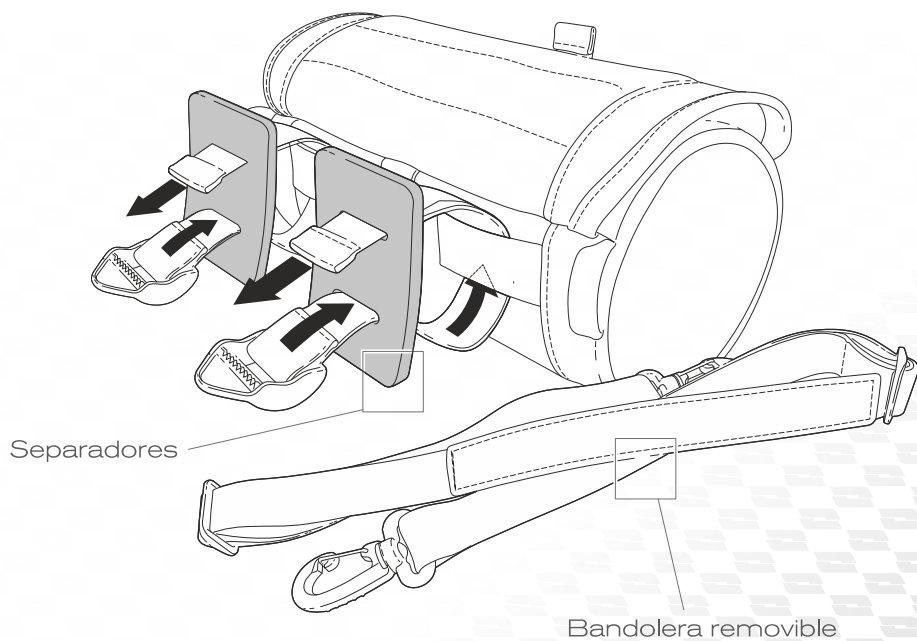
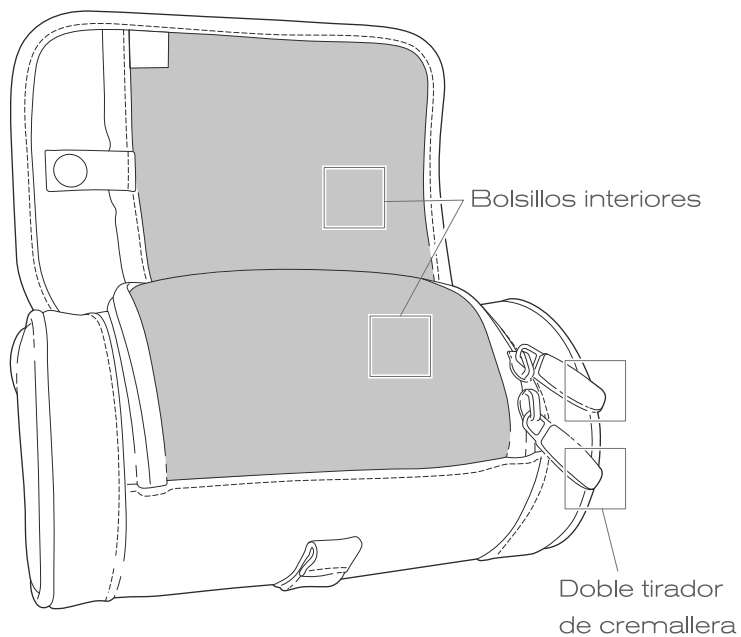
2



3



Características



SHAD

Urban bags for city bikers



DESIGNED IN BARCELONA

Since 1973

shad-bikes.com



SHAD

Urban bags for city bikers

REDUCCIÓN DE RECURSOS
60% DE LAS FÁBRICAS SON AUTOSUFICIENTES
1500 ÁRBOLES PLANTADOS 🌲🌲🌲



ISO 14001:2015



STANDARD
100

HKYO 039120
TESTEX



WE ARE
DOING
GREEN

shad-bikes.com

SHAD

Urban bags for city bikers



USER GUIDE

Genuine Bar Bag 3L



CARE AND MAINTENANCE



WARNING!

Shoulder strap gathered while in motion.

Maximum allowed load **(1,5KG)**.

Recommended for urban and commuter journeys.

MAINTENANCE AND CLEANING

If cleaning of the bag is necessary, use a soft cloth dampened with a solution of water and neutral soap.

It is recommended to regularly check the condition of the mechanisms to prevent damage.



CARACTERÍSTICAS



3L Capacity



1,5Kg capacity



Handlebar mode



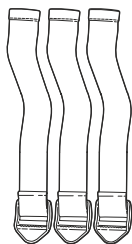
Sling mode



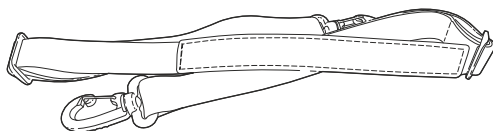
High UV Resistant

INCLUDED

3 Straps



Shoulder strap

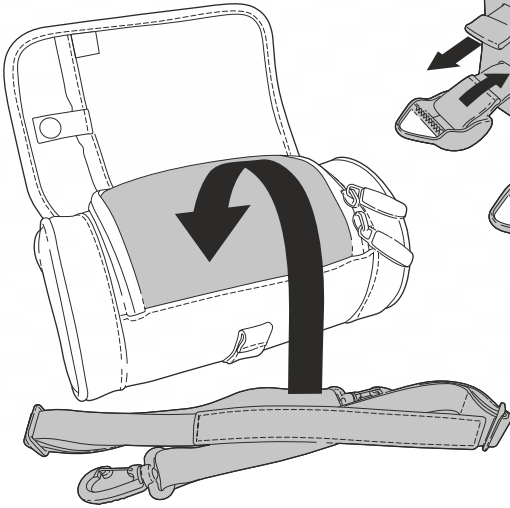


Adaptable pads

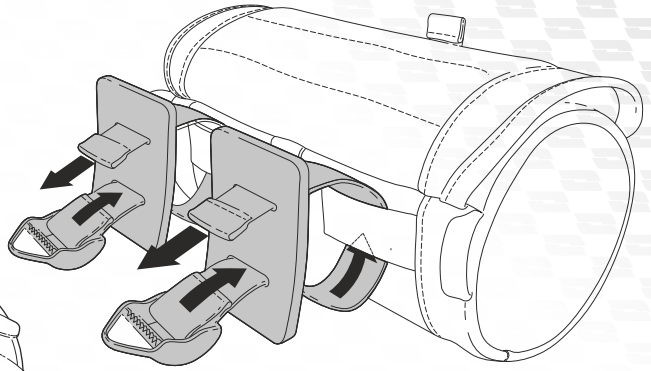


ATTACHMENT

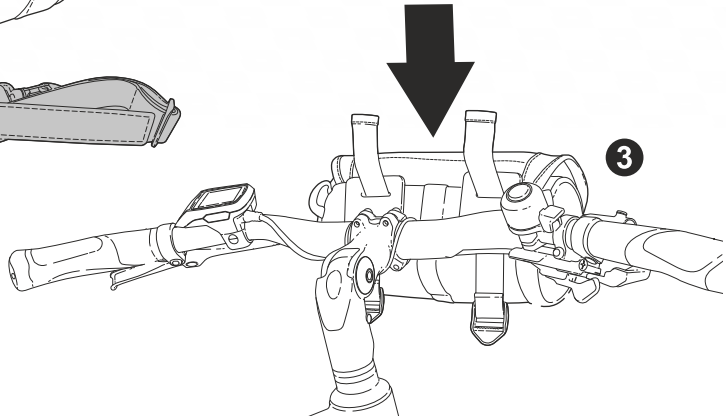
1



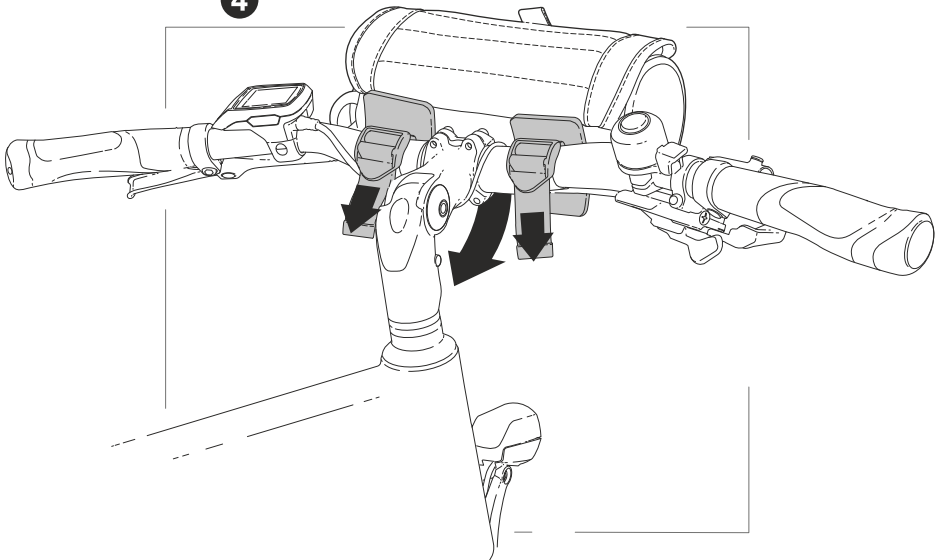
2

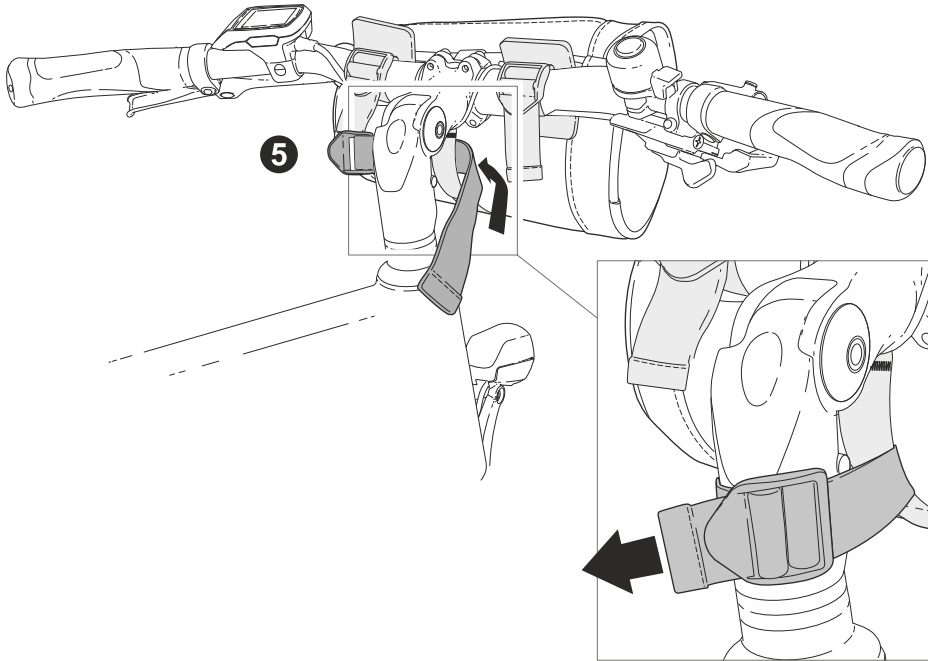


3

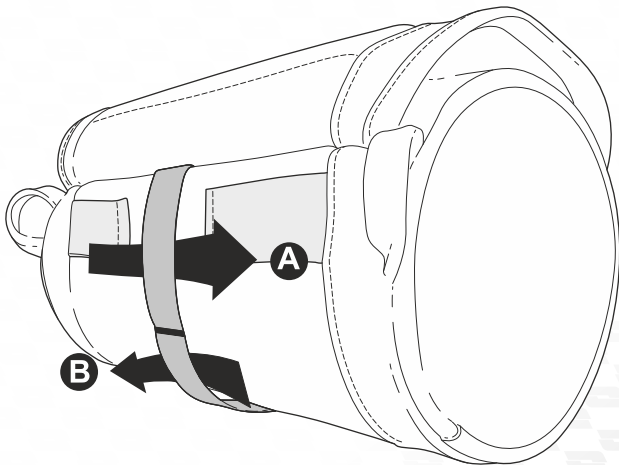


4



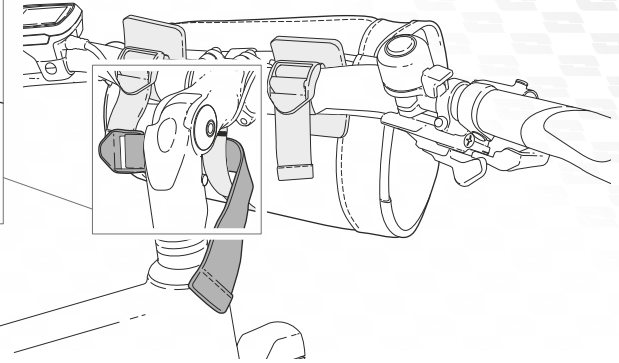
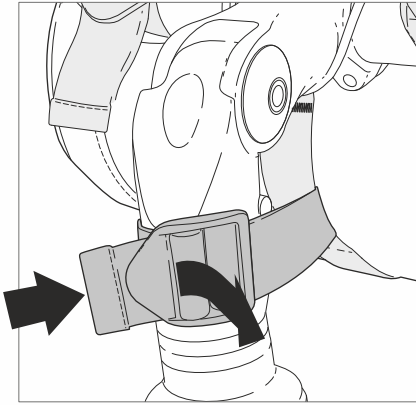


2 Positions

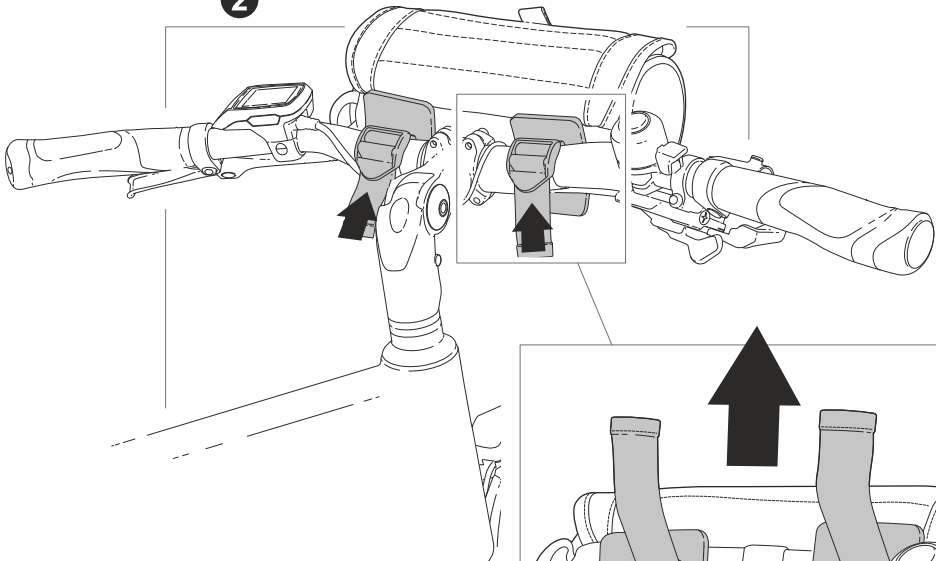


DETACHMENT

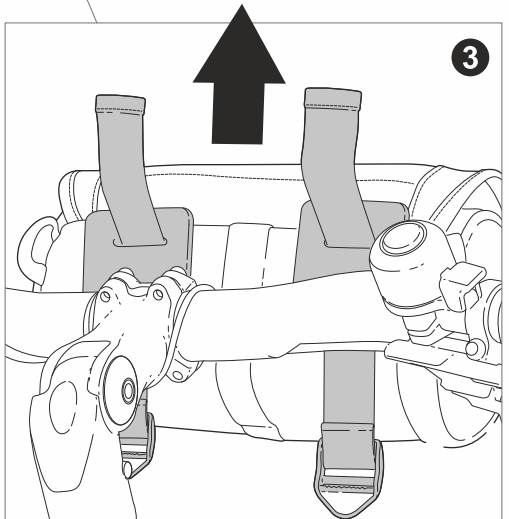
1



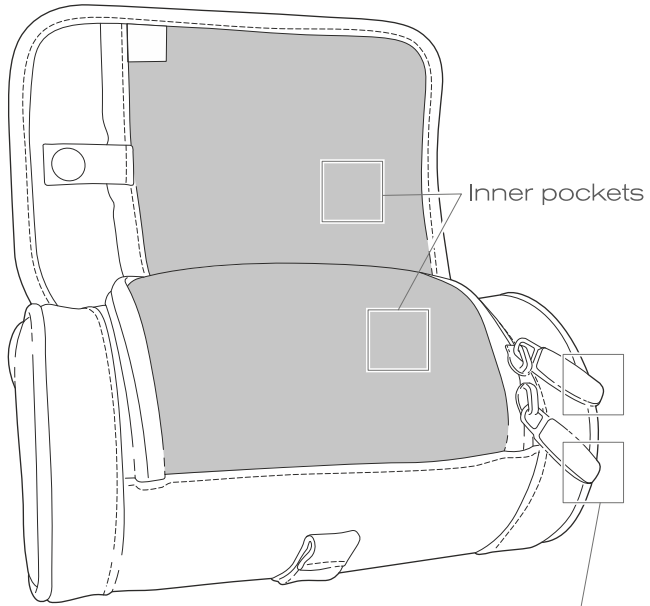
2



3

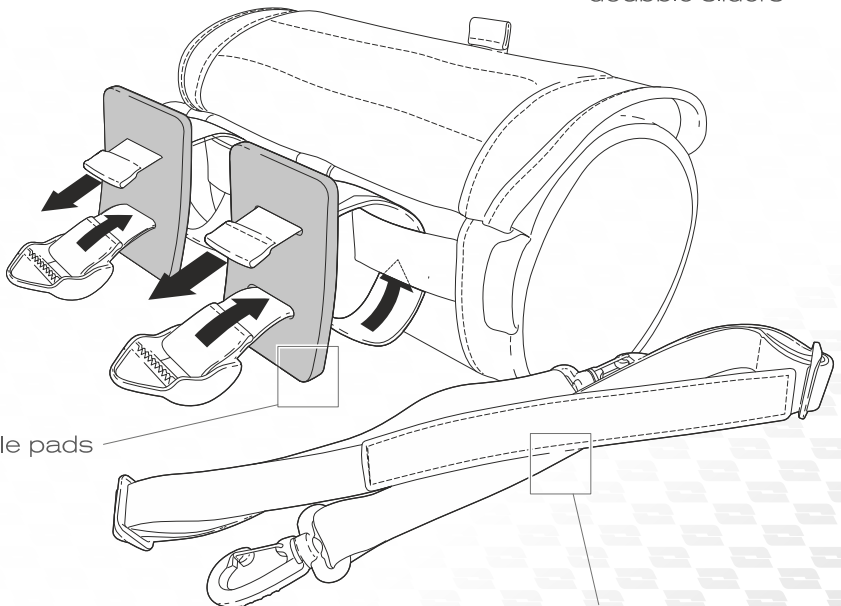


Features



Inner pockets

Zipper with double sliders



Adaptable pads

Removable shoulder strap

SHAD

Urban bags for city bikers



DESIGNED IN BARCELONA

Since 1973

shad-bikes.com



SHAD

Urban bags for city bikers

RESOURCE REDUCTION
60% SELF SUSTAINING FACTORIES
1500 TREES PLANTED 🌲🌲🌲



ISO 14001:2015



STANDARD 100
HKYO 039120
TESTEX



shad-bikes.com