

# SHAD

Urban bags for city bikers



MANUAL DE USO

Genuine Office Bag 16L



## CUIDADOS Y MANTENIMIENTO



# WARNING!

Correa bandolera recogida en circulación (desanclar y meter dentro),

---

Asegurar correctamente el cierre de roll con 3 vueltas.

---

Carga máxima permitida (**8KG**).

---

Uso recomendado para trayectos urbanos e interurbanos.

## MANTENIMIENTO Y LIMPIEZA

En el caso de que se necesite limpiar la bolsa, utilizar un trapo suave humedecido en una disolución de agua y jabón neutro.

---

Se recomienda verificar habitualmente el estado de los mecanismos para evitar daños.



## CARACTERÍSTICAS



16L de capacidad



8Kg de carga máxima



Modo alforja



Modo maletín



Cierre de roll



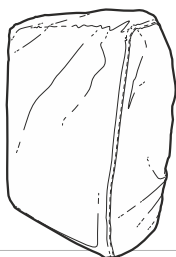
Alta resistencia UV



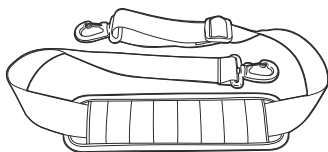
Interior Impermeable IPX5

## INCLUIDO

Funda impermeable

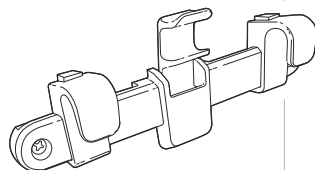


Correa bandolera



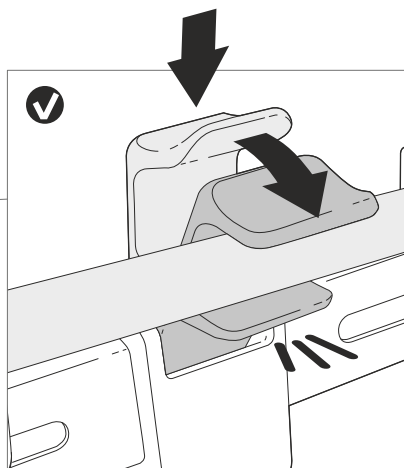
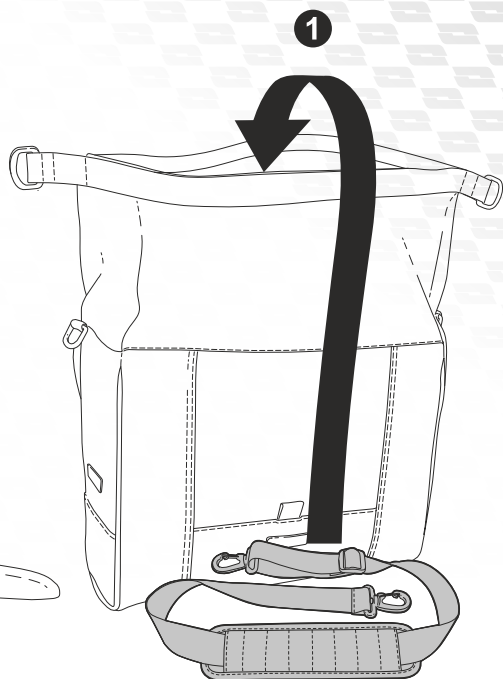
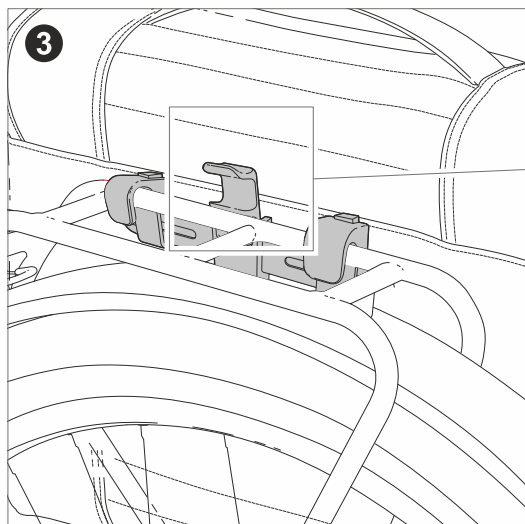
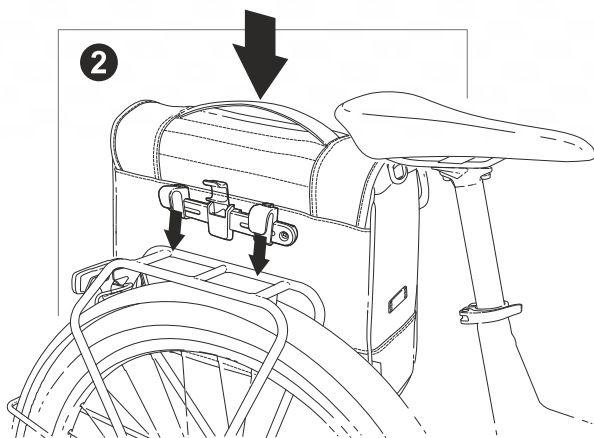
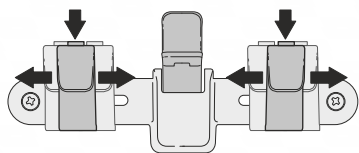
Kompakt Rail

**KLICKfix®**

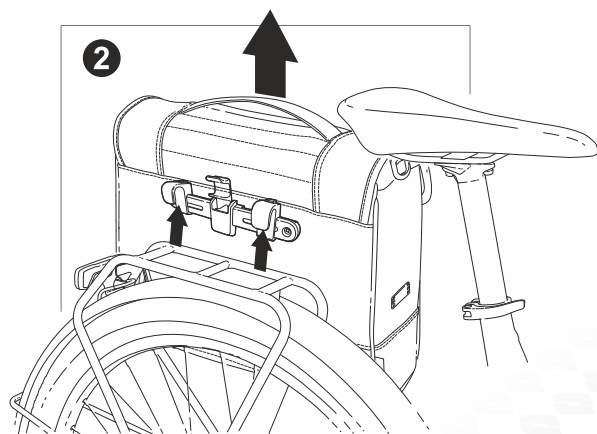
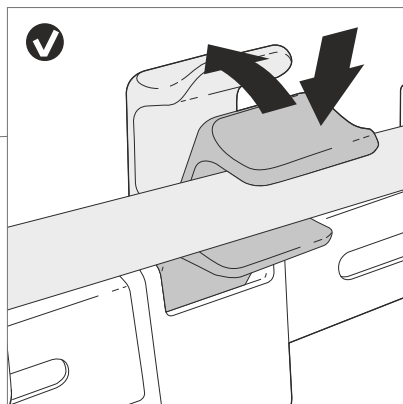
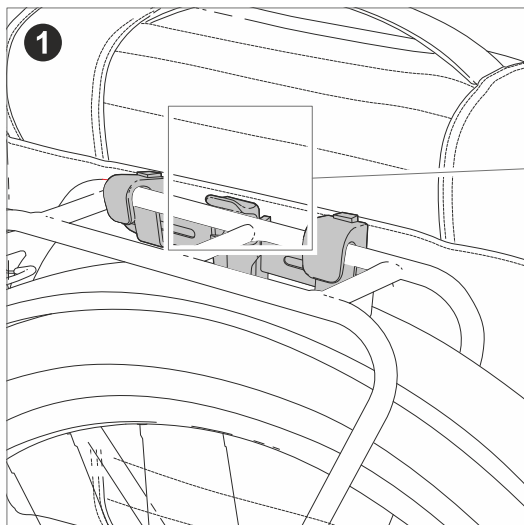


# MONTAR

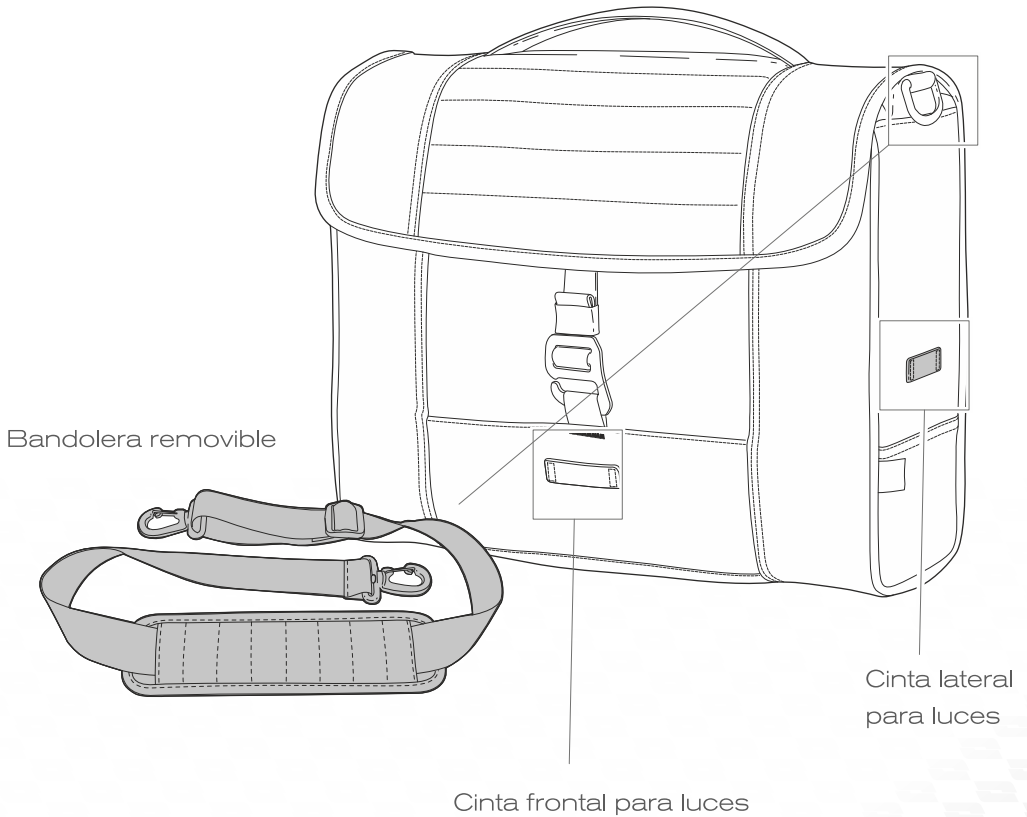
Kompakt rail



# DESMONTAR



## Características



# SHAD

Urban bags for city bikers



DESIGNED IN BARCELONA

Since 1973

[shad-bikes.com](http://shad-bikes.com)



# SHAD

Urban bags for city bikers

**REDUCCIÓN DE RECURSOS**  
**60% DE LAS FÁBRICAS SON AUTOSUFICIENTES**  
**1500 ÁRBOLES PLANTADOS** 🌲🌲🌲

 tree-nation

ISO 14001:2015



STANDARD 100  
HKYO 039120  
TESTEX



[shad-bikes.com](http://shad-bikes.com)



# SHAD

Urban bags for city bikers



USER GUIDE

Genuine Office Bag 16L



## CARE AND MAINTENANCE



# **WARNING!**

Shoulder strap gathered while in motion.

---

Secure the roll closure with 3 turns.

---

Maximum allowed load **(4KG)**.

---

Recommended for urban and commuter journeys.

## MAINTENANCE AND CLEANING

If cleaning of the bag is necessary, use a soft cloth dampened with a solution of water and neutral soap.

---

It is recommended to regularly check the condition of the mechanisms to prevent damage.



## FEATURES



16L Capacity



8Kg capacity



Bike rack mode



Carry mode



Roll-up closure



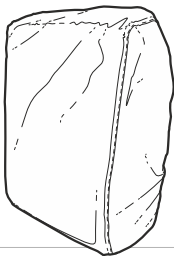
High UV resistant



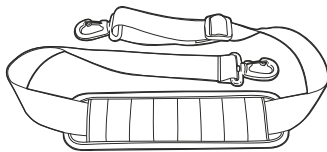
Inner Waterproof IPX5

## INCLUDED

Waterproof cover

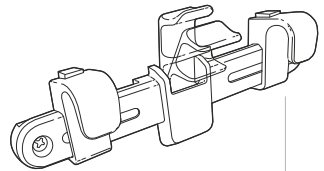


Soulder strap



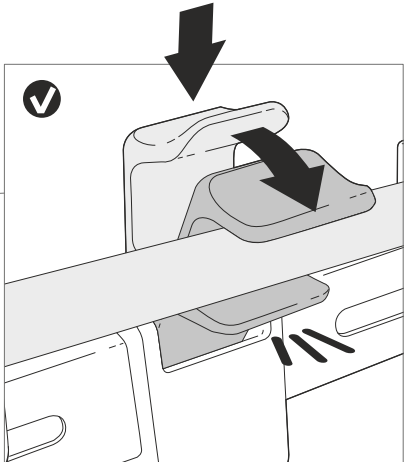
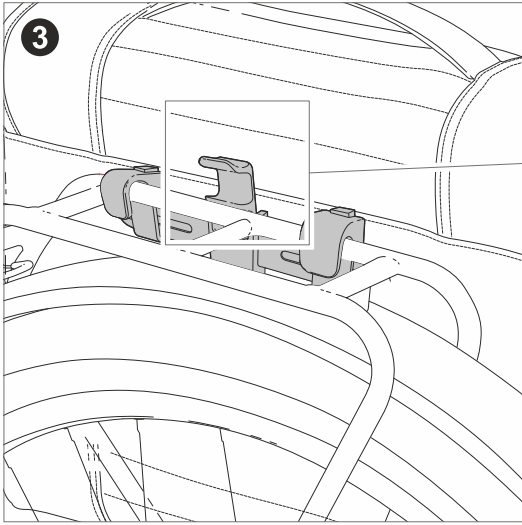
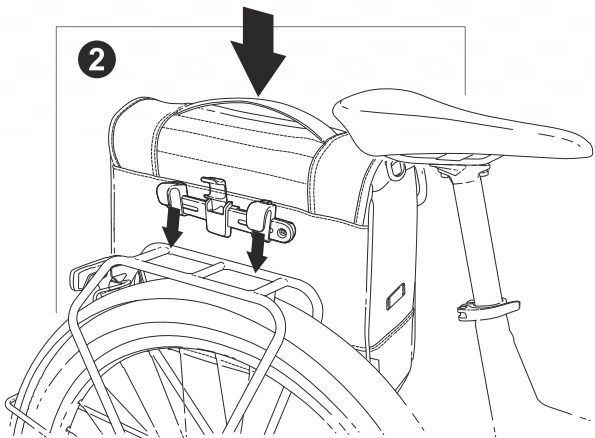
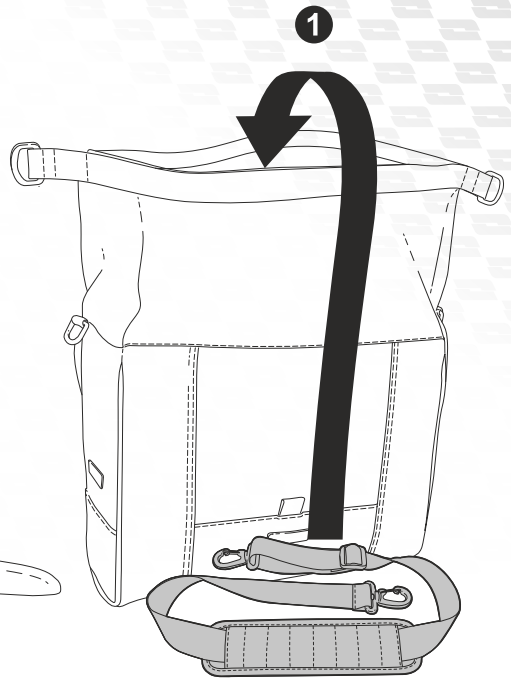
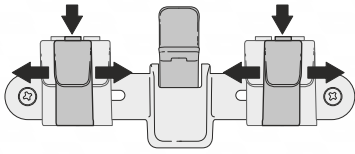
Kompakt Rail

**KLICKfix®**

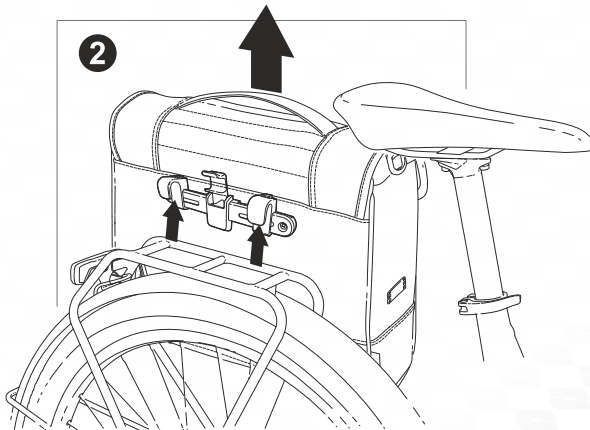
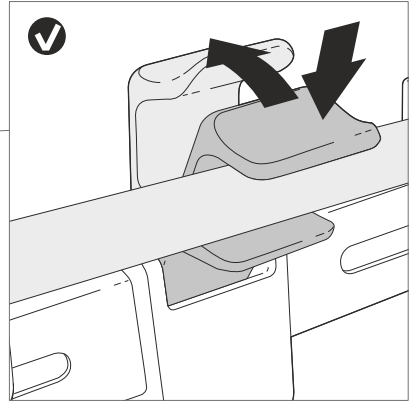
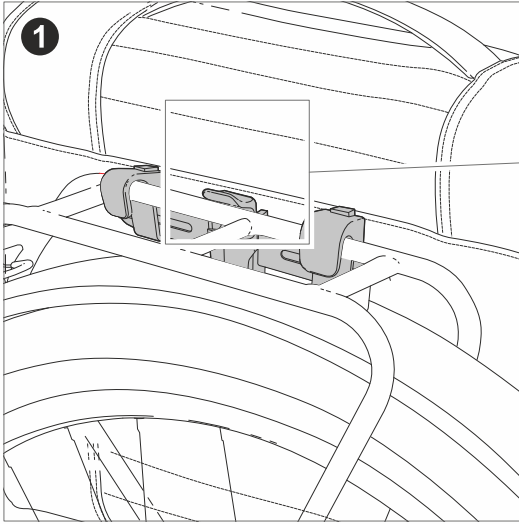


# ATTACHMENT

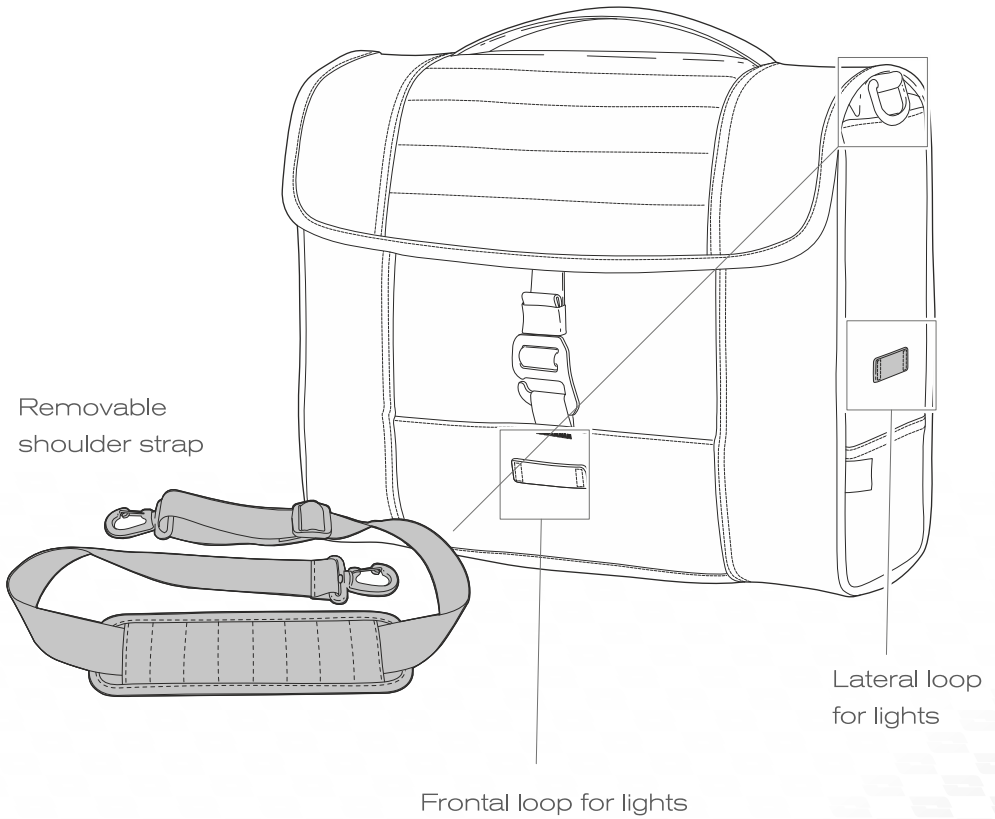
Kompakt rail



# DETACHMENT



# Features



# SHAD

Urban bags for city bikers



DESIGNED IN BARCELONA

Since 1973

[shad-bikes.com](http://shad-bikes.com)



# SHAD

Urban bags for city bikers

**RESOURCE REDUCTION**  
**60% SELF SUSTAINING FACTORIES**  
**1500 TREES PLANTED** 🌲🌲🌲

 tree-nation

ISO 14001:2015



STANDARD 100  
HKYO 039120  
TESTEX



[shad-bikes.com](http://shad-bikes.com)