

# SHAD

Urban bags for city bikers



MANUAL DE USO

Executive Office Bag 16L



## CUIDADOS Y MANTENIMIENTO



# **WARNING!**

Cinchas / extremos de las correas recogidas en circulación.

---

Correa bandolera recogida en circulación ( se recomienda desanclar y meter dentro ).

---

Se recomienda poner dispositivos electrónicos en bolsillo reforzado del en el interior.

---

Asegurar que el mecanismo Modul Rail está correctamente posicionado en la bolsa antes de anclar a parrilla.

---

Carga máxima permitida **(8KG)**.

---

Uso recomendado para trayectos urbanos e interurbanos.

## **MANTENIMIENTO Y LIMPIEZA**

En el caso de que se necesite limpiar la bolsa, utilizar un trapo suave humedecido en una disolución de agua y jabón neutro.

---

Se recomienda verificar habitualmente el estado de los mecanismos para evitar daños.



## CARACTERÍSTICAS



16L de capacidad



8 Kg de carga máxima



Bolsillo interior para portátiles 17"



Modo alforja



Modo maletín



Alta resistencia UV



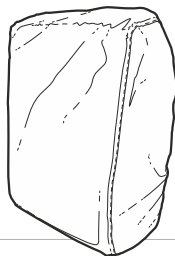
Funda impermeable



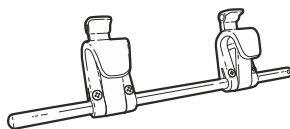
Tercer punto de anclaje, útil para trolley de maleta

## INCLUIDO

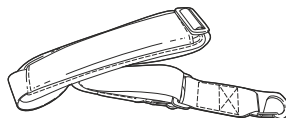
Funda impermeable



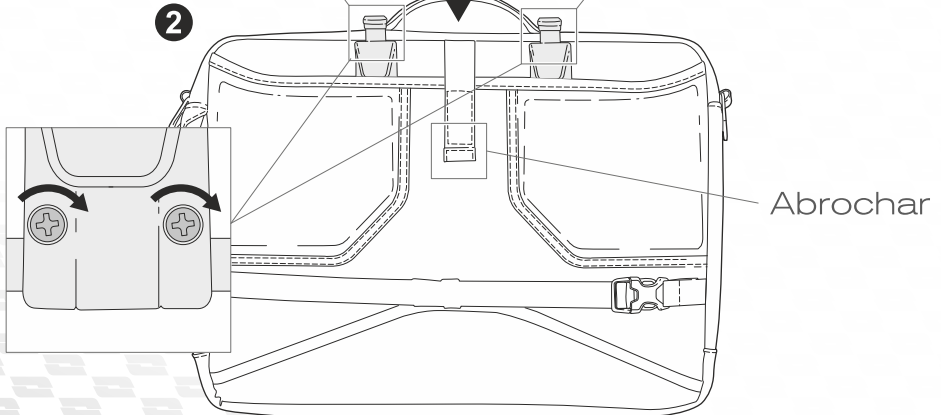
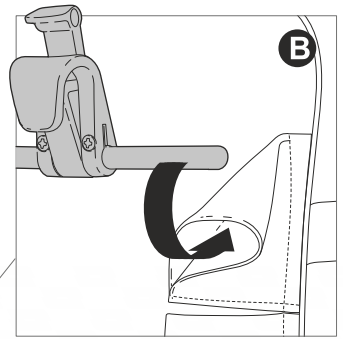
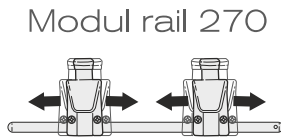
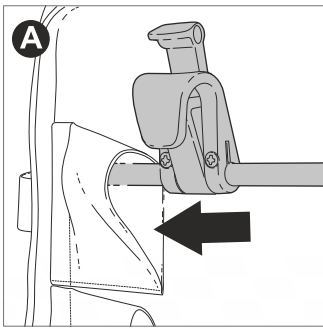
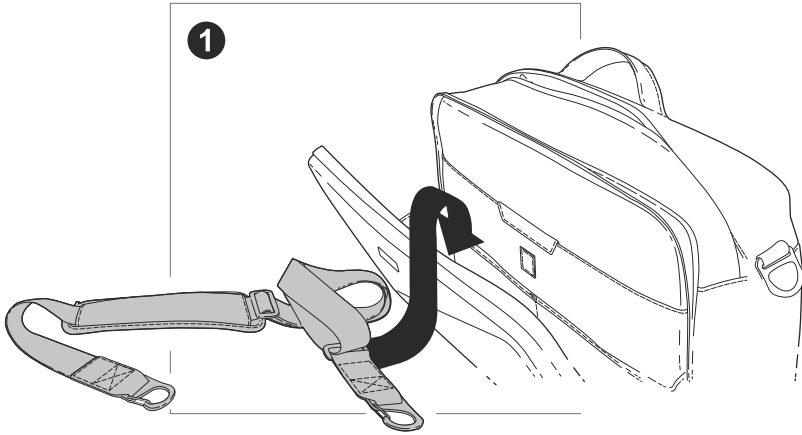
Modul Rail 270

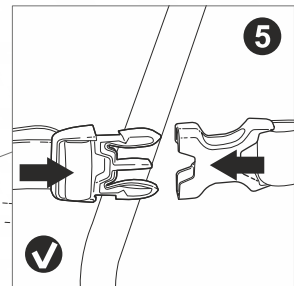
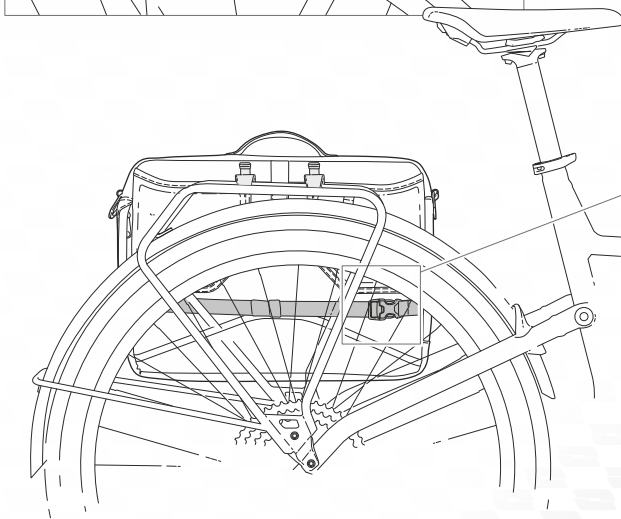
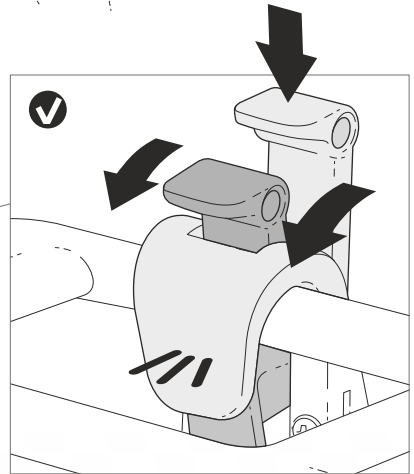
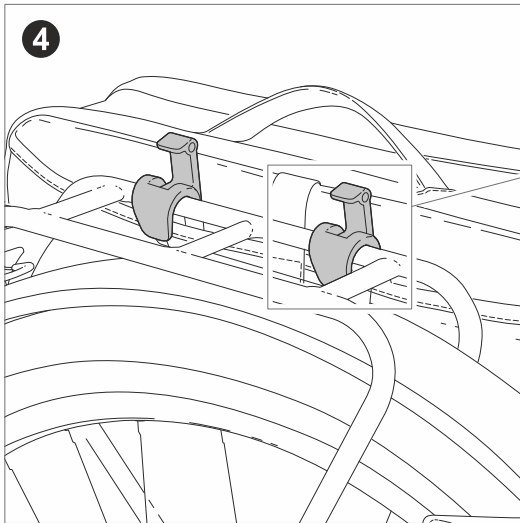
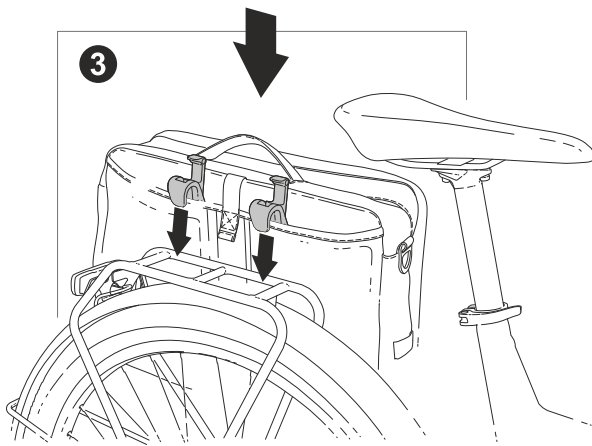


Correa bandolera

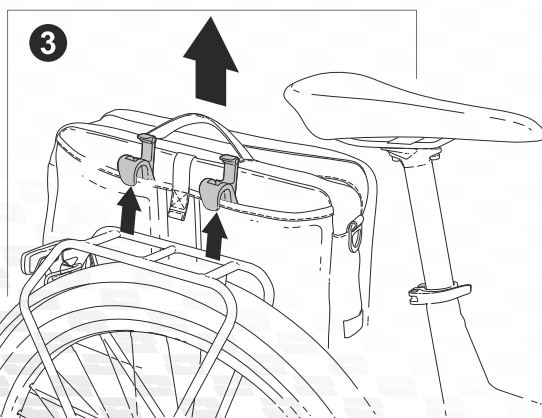
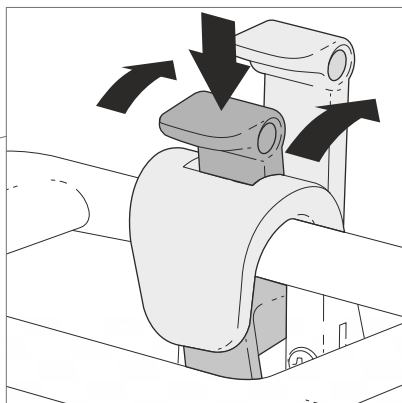
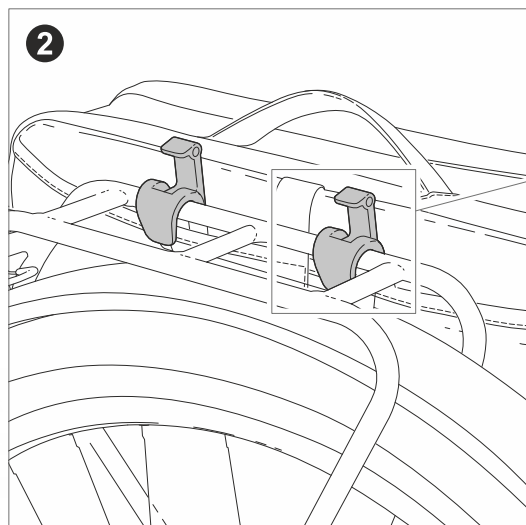
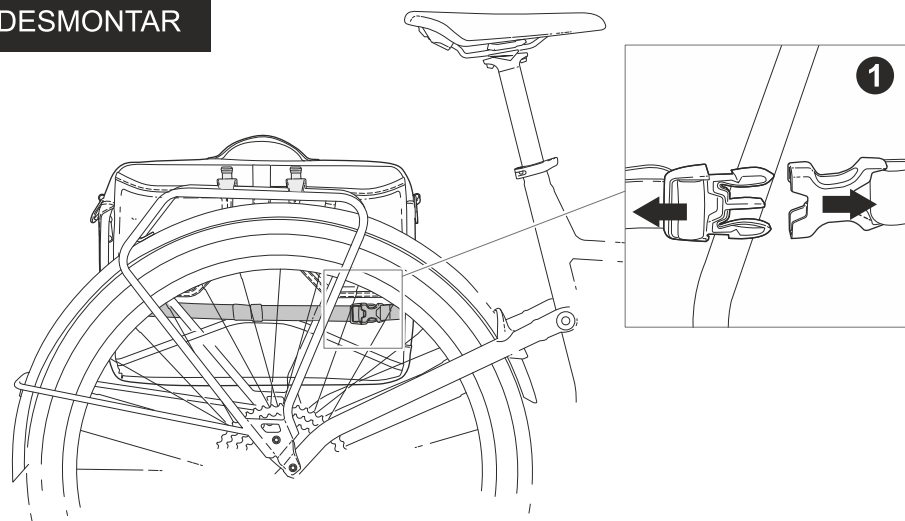


**KLICKfix**





# DESMONTAR



## Características

Múltiples compartimentos interiores



Bolsillo para funda impermeable

Doble tirador de cremallera

Elementos reflectantes y porta luces

Correa bandolera removable

# SHAD

Urban bags for city bikers



DESIGNED IN BARCELONA

Since 1973

[shad-bikes.com](http://shad-bikes.com)





# SHAD

Urban bags for city bikers

**REDUCCIÓN DE RECURSOS**  
**60% DE LAS FÁBRICAS SON AUTOSUFICIENTES**  
**1500 ÁRBOLES PLANTADOS** 🌲🌲🌲



ISO 14001:2015



STANDARD 100  
23.HCN.49451  
HOHENSTEIN HTFI



shad-bikes.com

# SHAD

Urban bags for city bikers



USER GUIDE

Executive Office Bag 16L



## CARE AND MAINTENANCE



# **WARNING!**

Straps/Loose ends gathered.

---

It is recommended to unhook and tuck inside or cross in front the shoulder strap while moving.

---

It is recommended to place electronic devices in the reinforced laptop pocket inside.

---

Ensure that the Modul Rail mechanism is correctly positioned in the bag before attaching to the rack.

---

Maximum allowed load (**8KG**).

---

Recommended for urban and commuter journeys.

## MAINTENANCE AND CLEANING

If cleaning of the bag is necessary, use a soft cloth dampened with a solution of water and neutral soap.

---

It is recommended to regularly check the condition of the mechanisms to prevent damage.



## FEATURES



16L Capacity



8Kg capacity per bag



Laptop pocket interior 17"



Bike rack mode



Carry mode



High UV Resistant



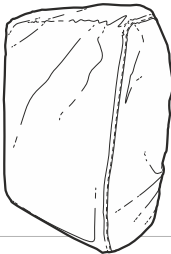
Raincover



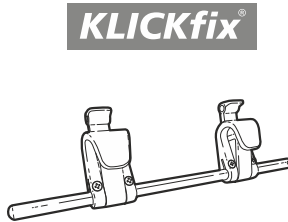
Third anchoring point, useful for trolley suitcase use

## INCLUDED

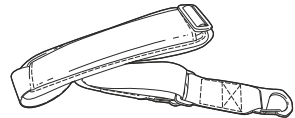
Raincover

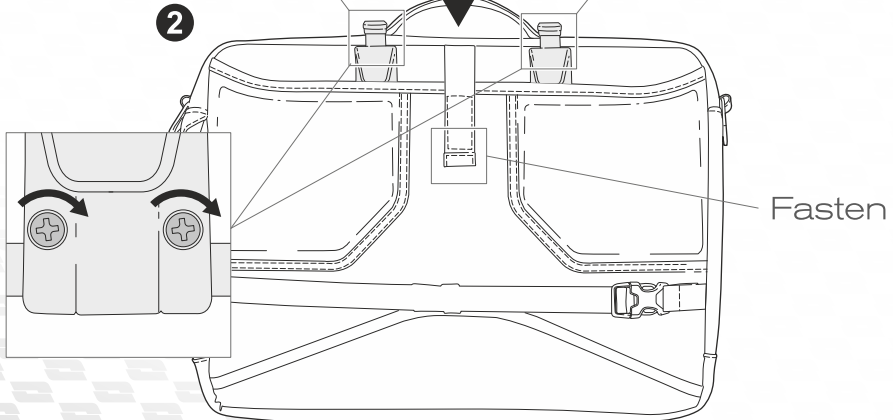
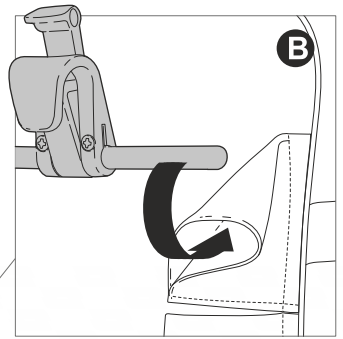
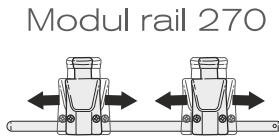
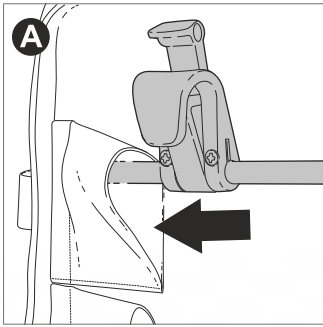
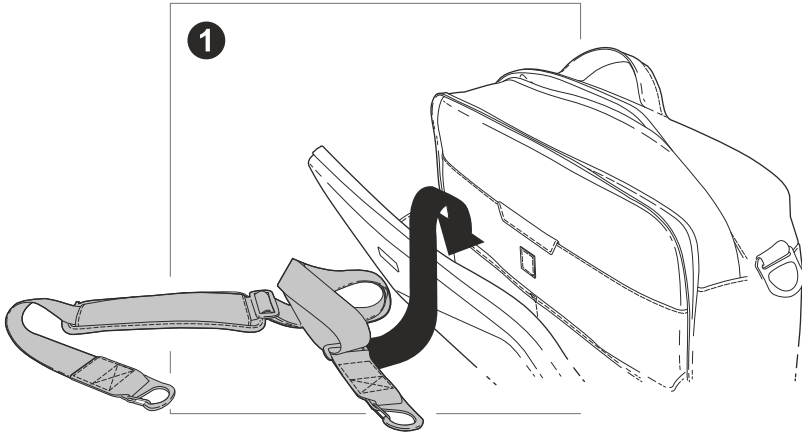


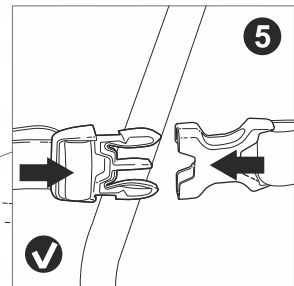
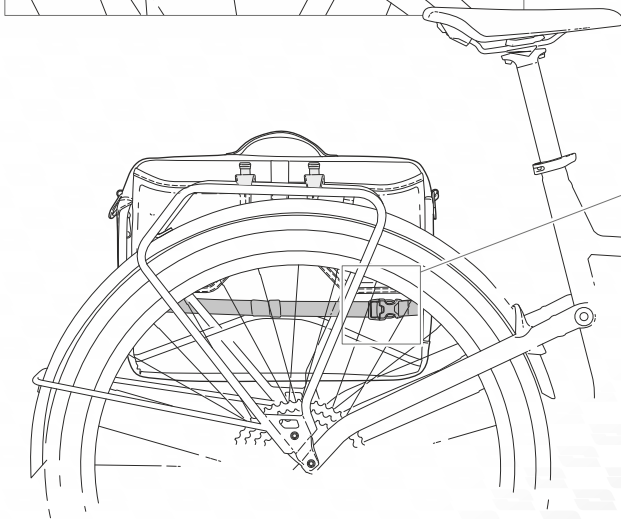
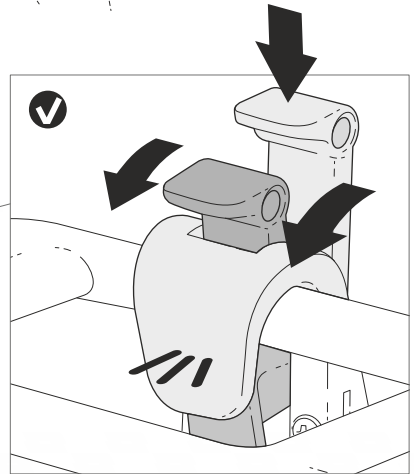
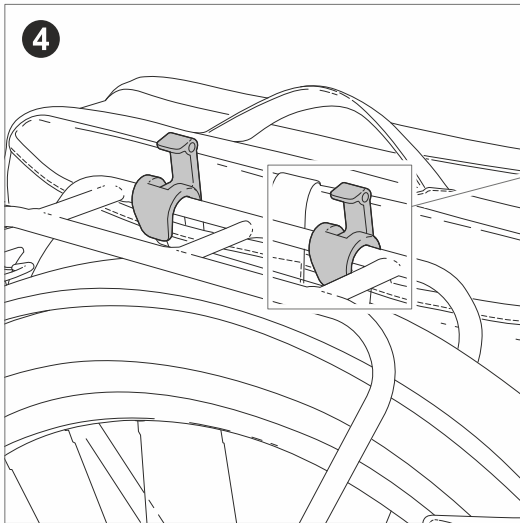
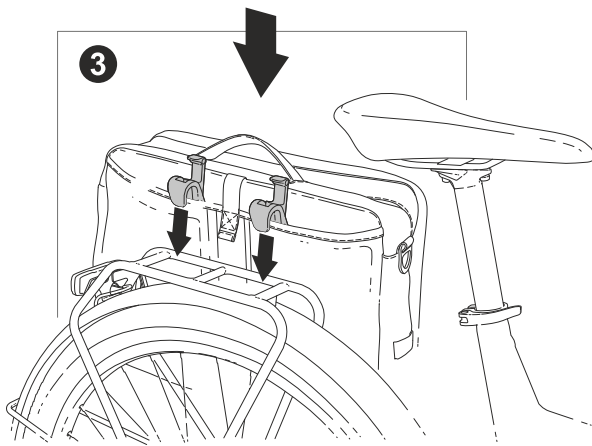
Modul Rail 270



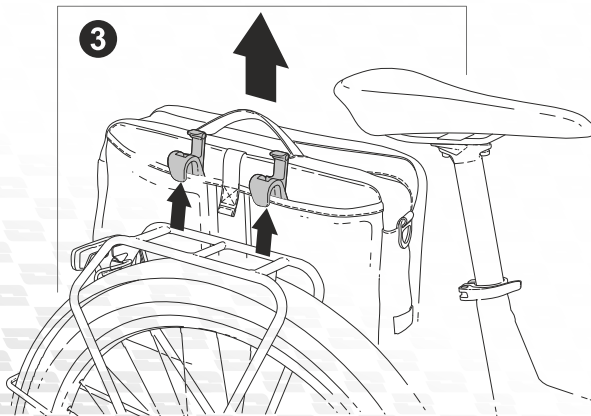
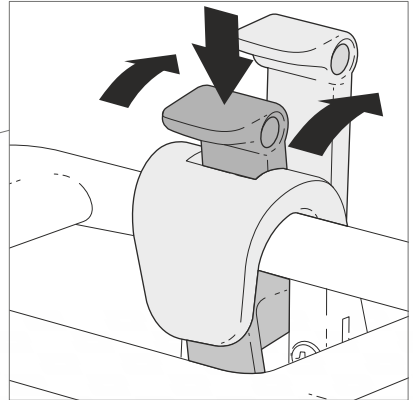
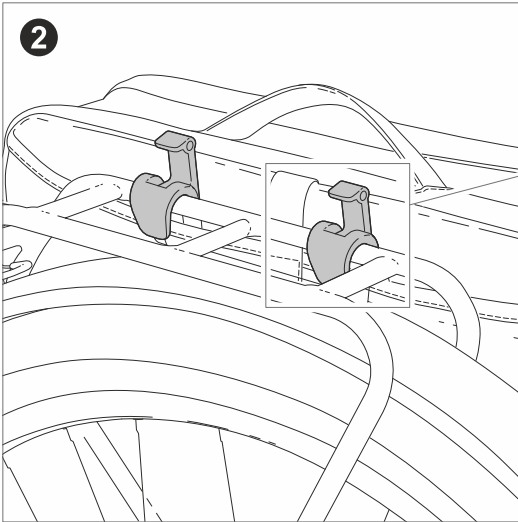
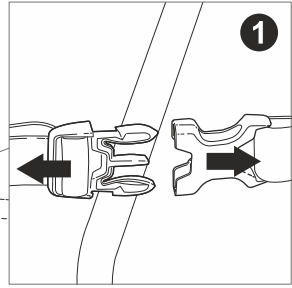
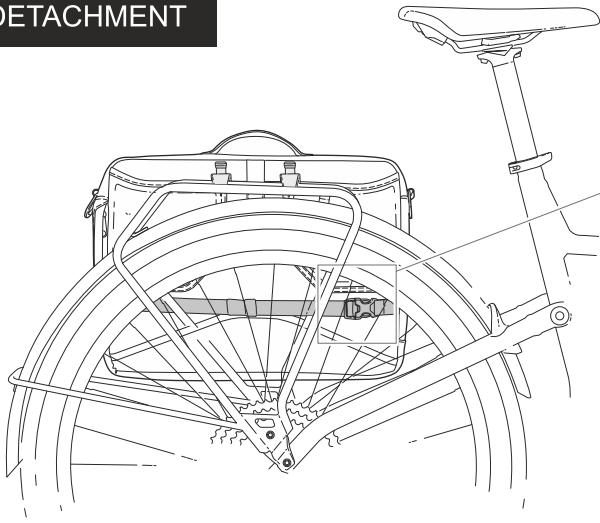
Soulder strap







# DETACHMENT



# Features

Multiple inner compartments



Rain cover pocket

Zipper with double sliders

Reflective loop and light support strap

Removable  
Shoulder strap



# SHAD

Urban bags for city bikers



DESIGNED IN BARCELONA

Since 1973

[shad-bikes.com](http://shad-bikes.com)



# SHAD

Urban bags for city bikers

**RESOURCE REDUCTION**  
**60% SELF SUSTAINING FACTORIES**  
**1500 TREES PLANTED** 🌲🌲🌲



ISO 14001:2015



STANDARD 100  
23.HCN.49451  
HOHENSTEIN HTFI



shad-bikes.com