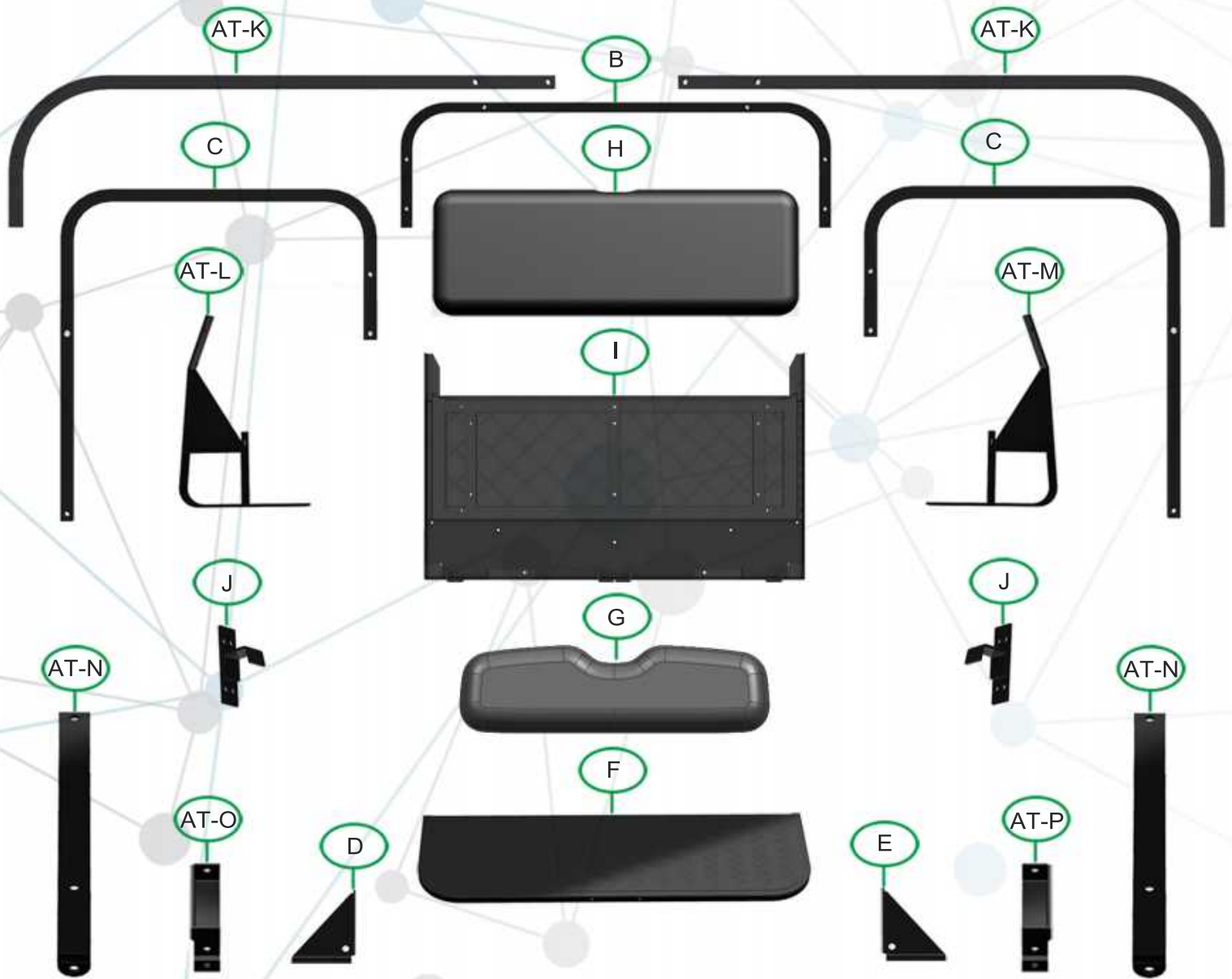


REAR FLIP SEAT

FOR EZGO TXT NEW & OLD

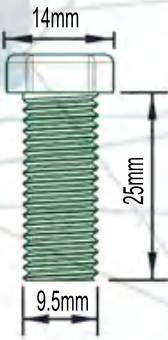


HARDWARE:

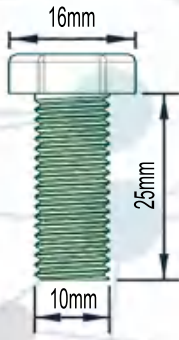
SHOWN TO SCALE

Unit: mm

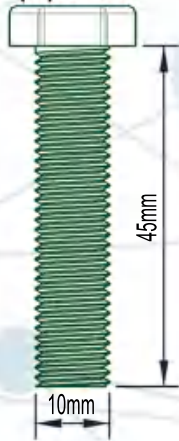
(4)H103



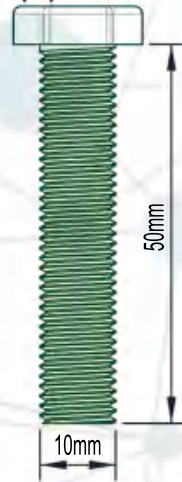
(6)H104



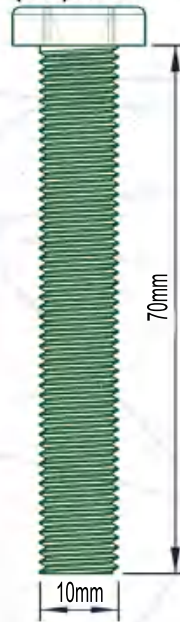
(2)H105



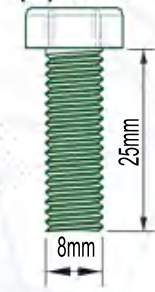
(4)H106



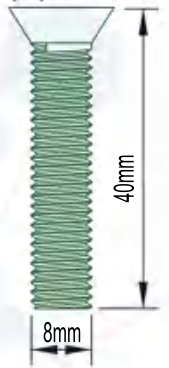
(12)H107



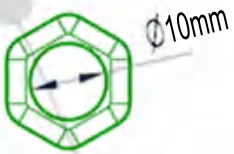
(4)H119



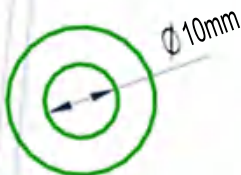
(6)H111



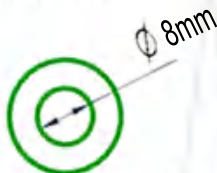
(24)H101



(52)H102



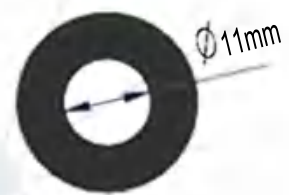
(4)H121



(4)H122



(2)H112



STEP 1

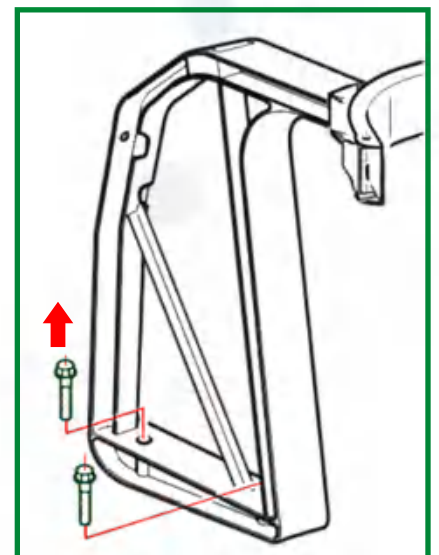
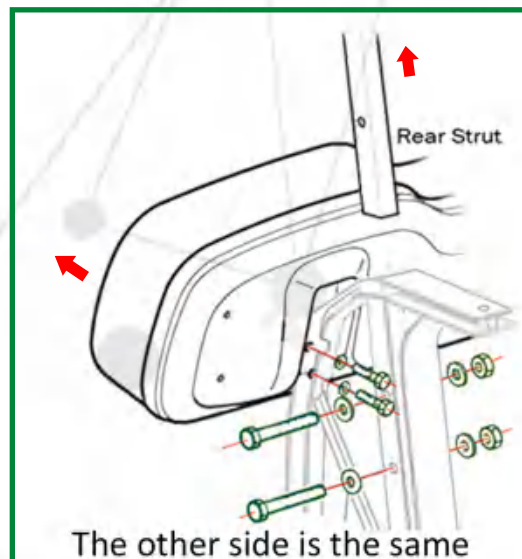
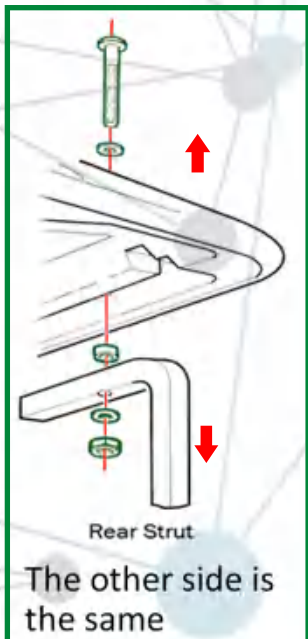
Remove top(Retain factory hardware).

STEP 2

Remove rear struts and front seat back cushion while supporting top (Retain factory hardware).

STEP 3

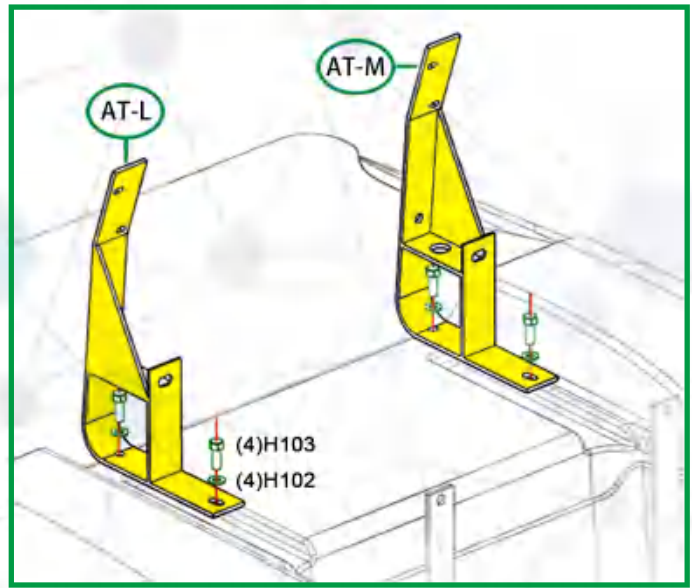
Remove both seat back supports.



STEP 4

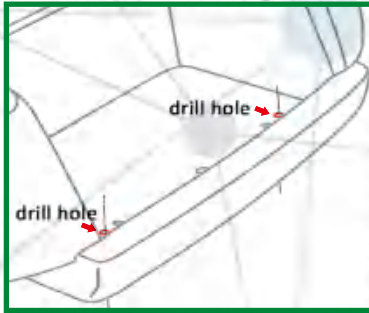
Install seat back supports.

Tighten hardware fully.



STEP 5

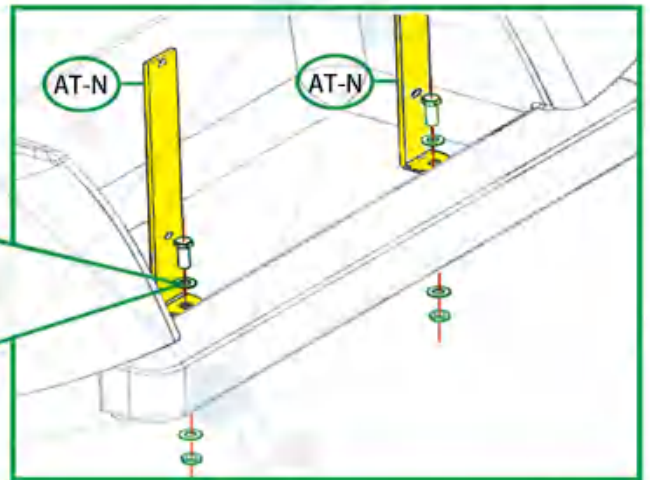
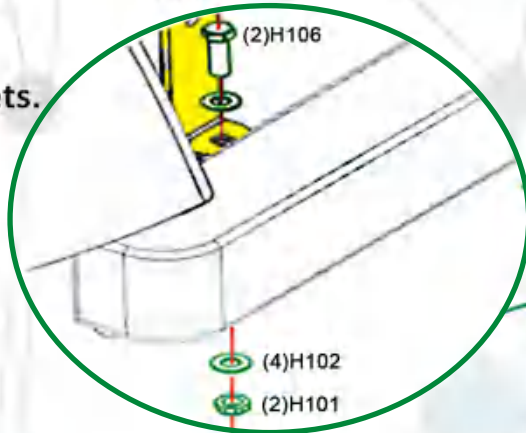
Some years may require center hole to be drilled out of bag well.



Use a 3/8" drill bit to open up the (2) rear most holes in the bagwell area. Drill completely through the rivet and the frame.

Install vertical support brackets.

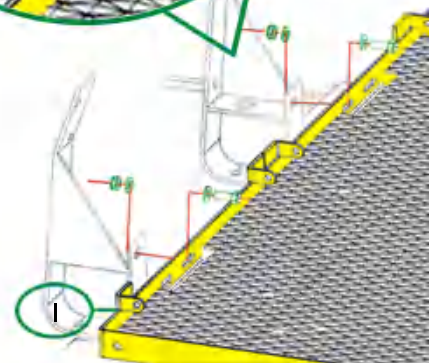
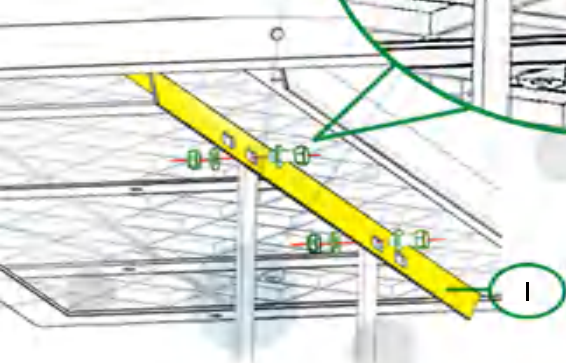
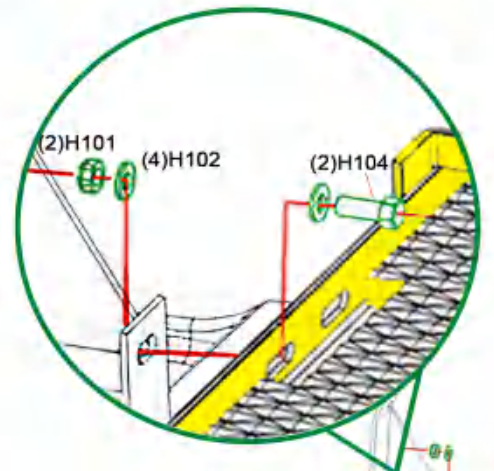
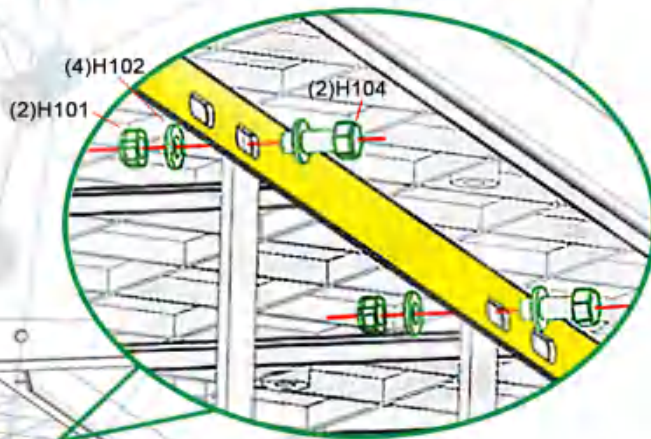
Hand tighten only.



STEP 6

Install seat frame with plastic board.

Hand tighten only.



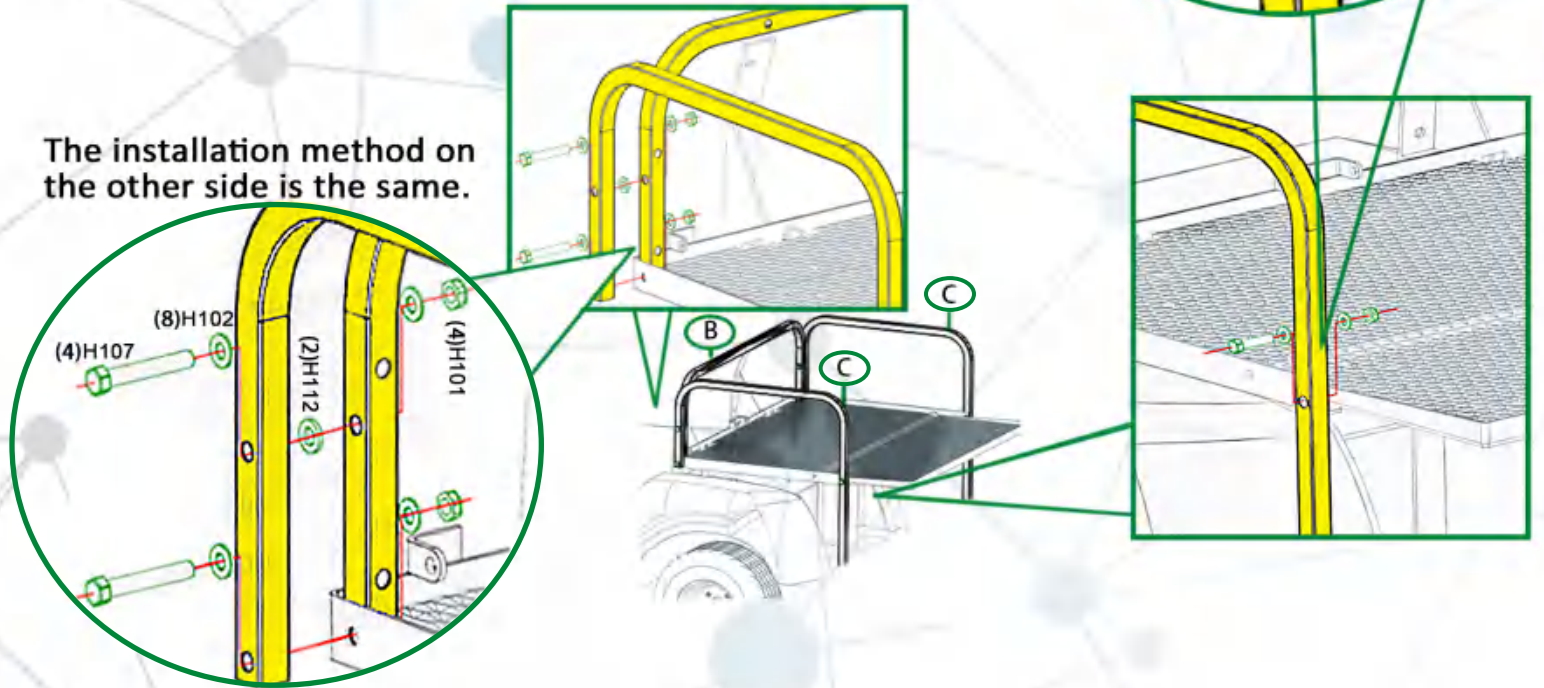
STEP 7

Install support bracket.

Hand tighten only.

The installation method on the other side is the same.

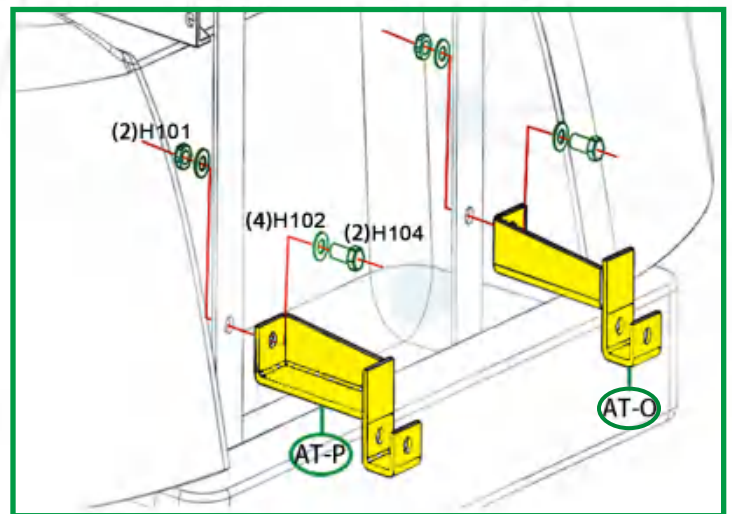
The installation method on the other side is the same.



STEP 8

Install footrest support brackets.

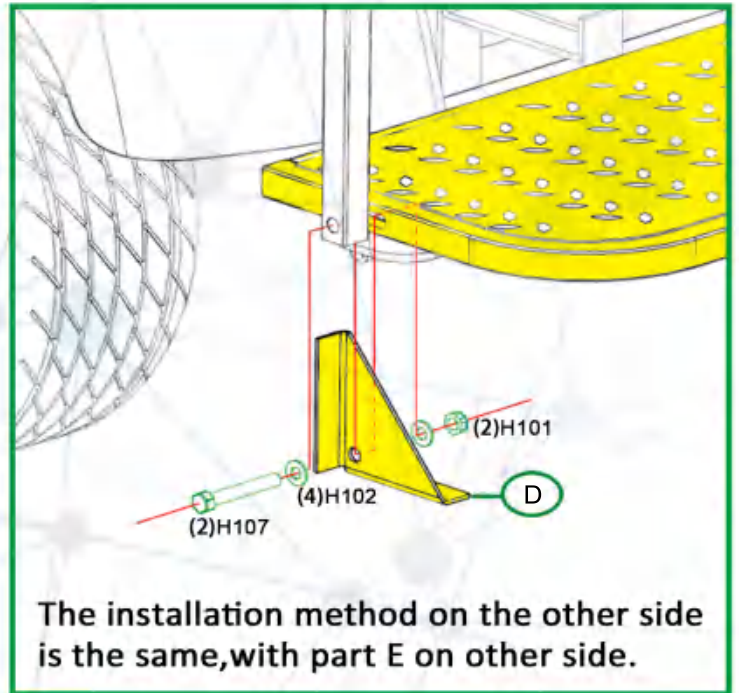
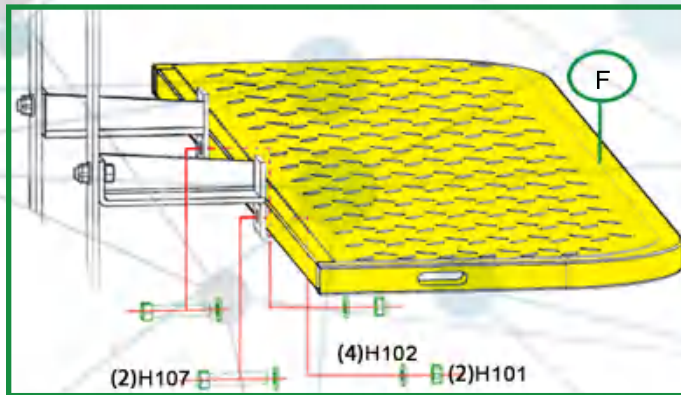
Hand tighten only.



STEP 9

Install footrest brackets and footrest.

Hand tighten only.

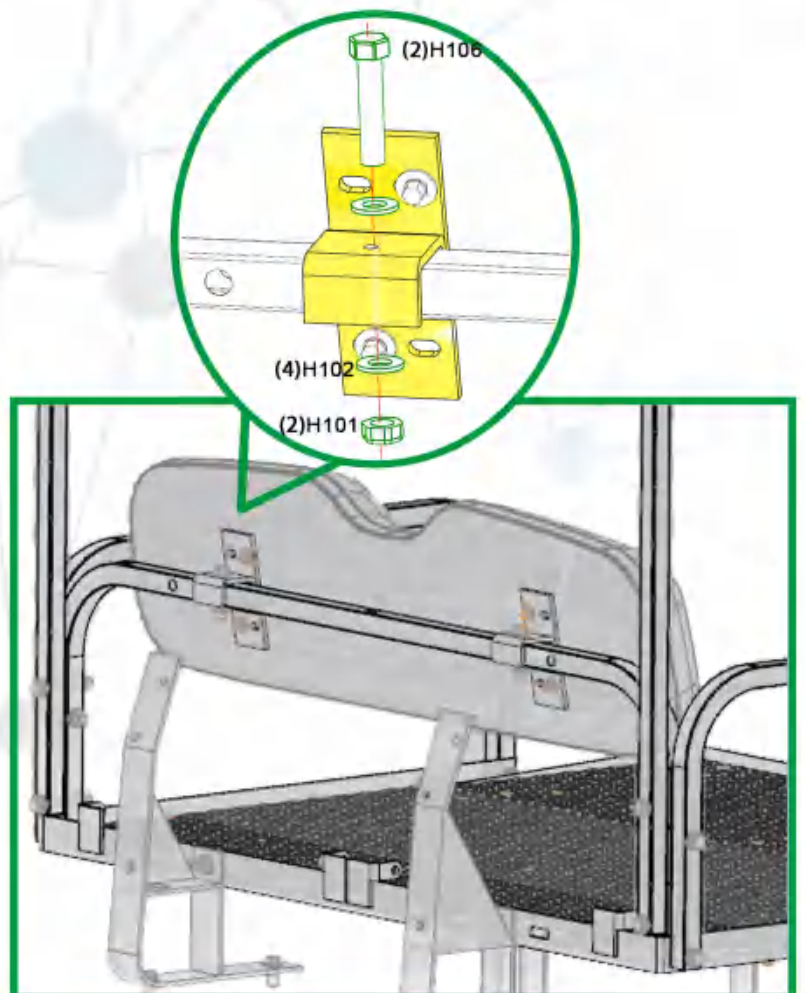
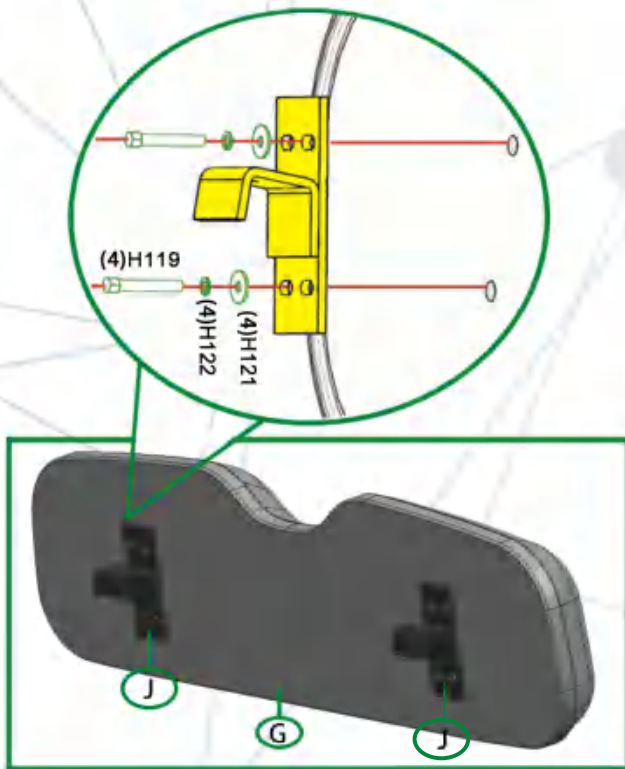


STEP 10

Reinstall the front seat back according to the disassembly method with original hardware.

STEP 11

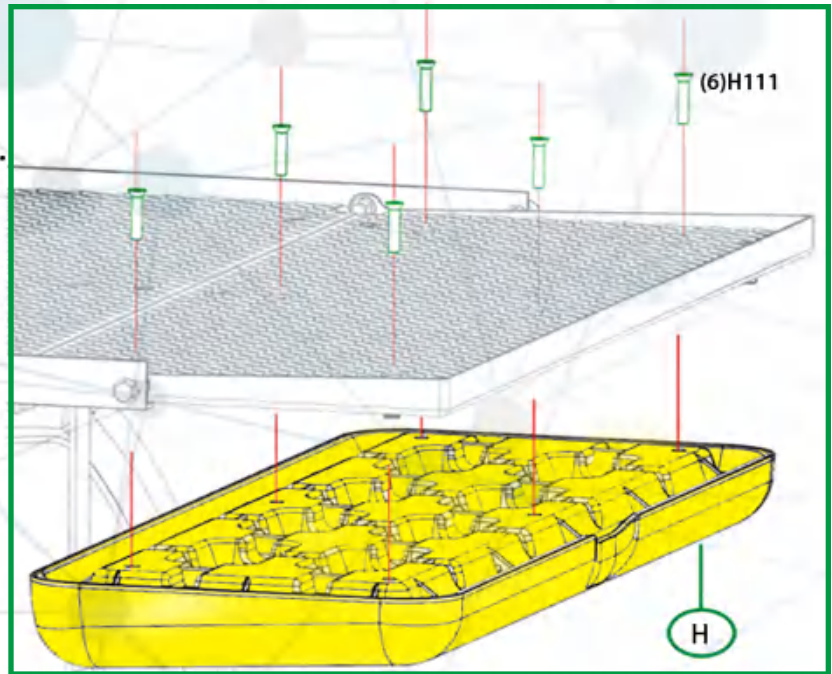
Install seat back.



STEP 12

Install seat cushion.

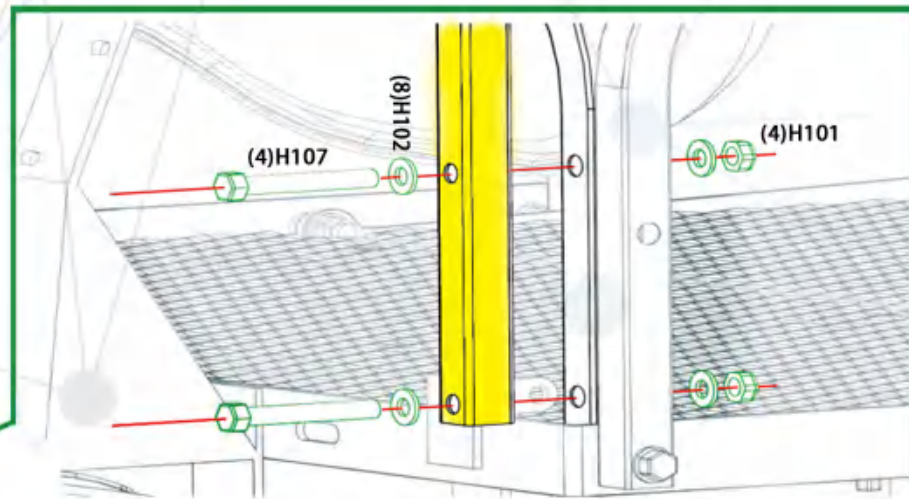
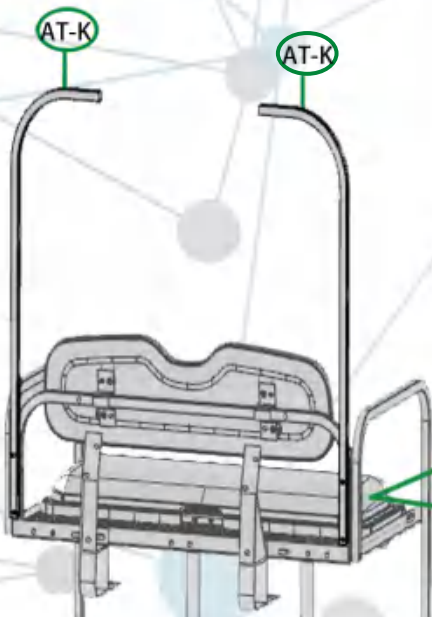
Caution: Use hand screw driver and
Install screws loosely prior to tightening.



STEP 13

Install rear strut.

Hand tighten only.



The installation method on the other side is the same.

STEP 14

Reinstall the top using Original Hardware according to the disassembly method.

STEP 15

Tighten all hardware and enjoy!

