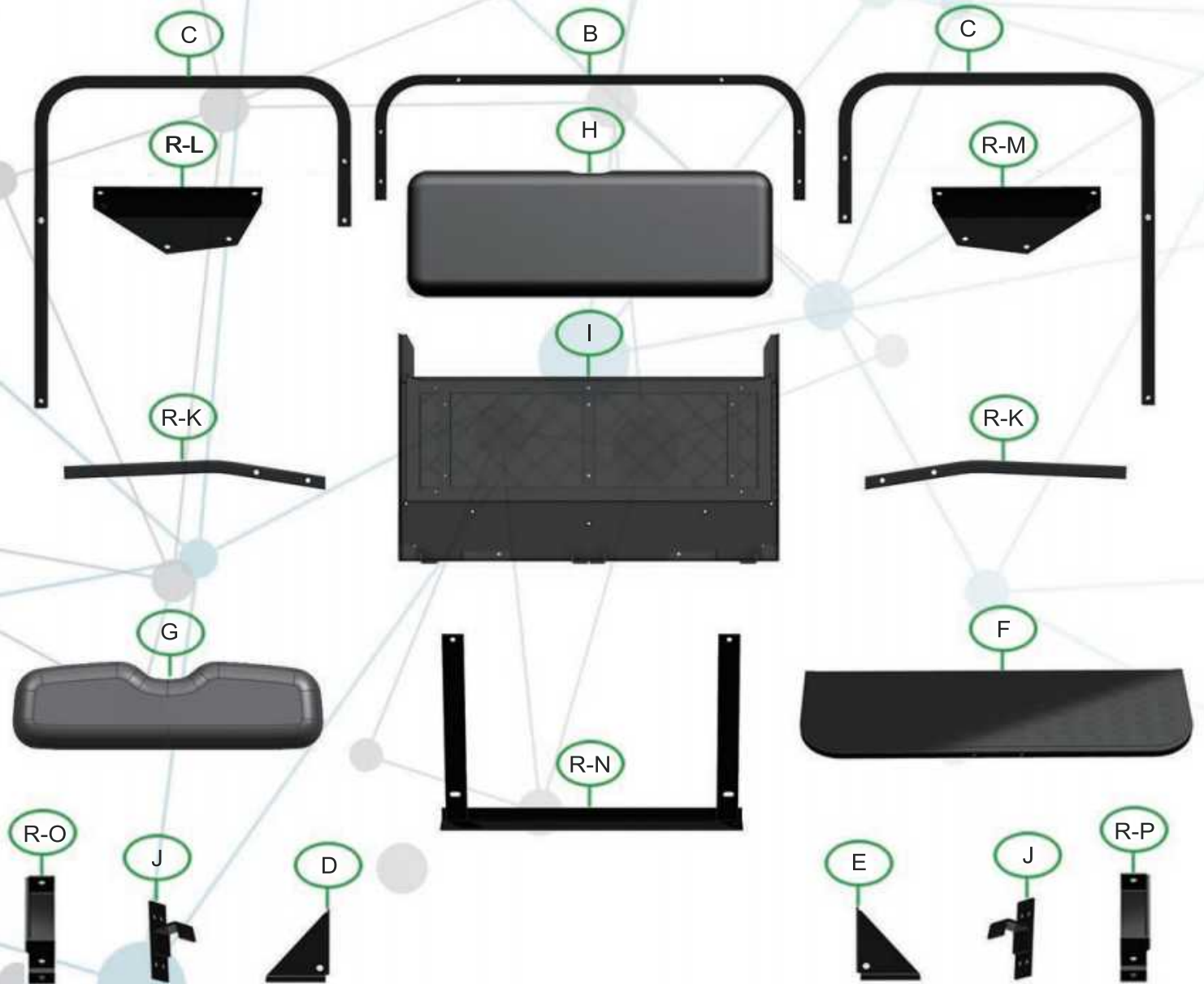


REAR FLIP SEAT FOR EZGO RXV



HARDWARE:

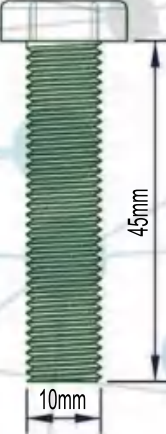
SHOWN TO SCALE

Unit: mm

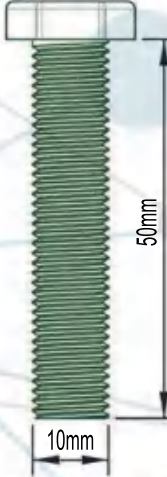
(6)H104



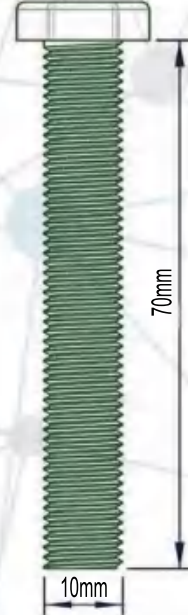
(2)H105



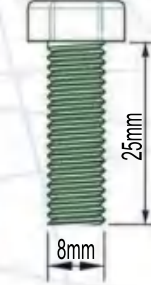
(2)H106



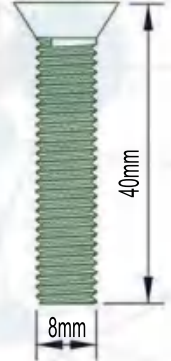
(10)H107



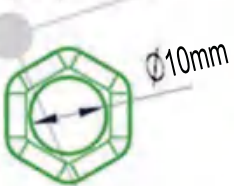
(4)H119



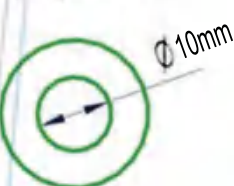
(6)H111



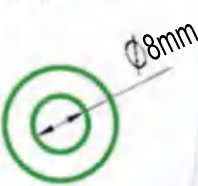
(22)H101



(44)H102



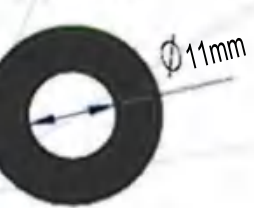
(4)H121



(4)H122



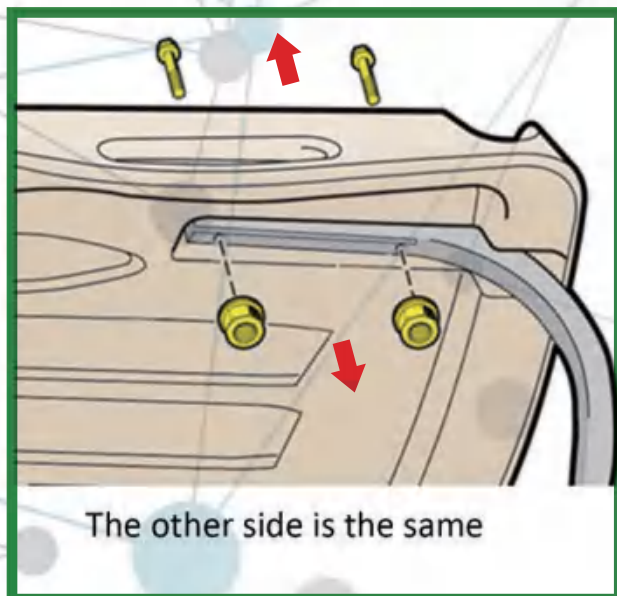
(2)H112



STEP 1

Remove top.

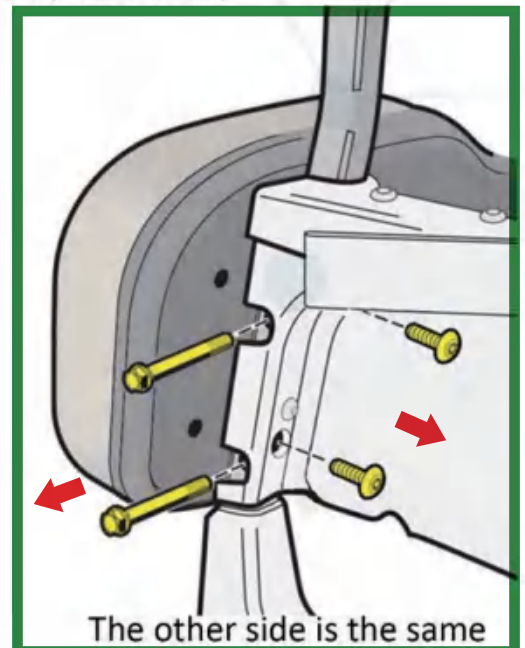
(Retain factory hardware).



STEP 2

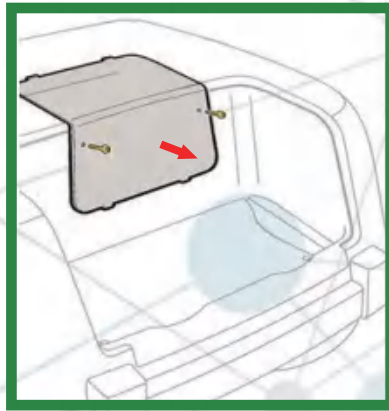
Remove rear struts and front seat back cushion while supporting top.

(Retain factory hardware)



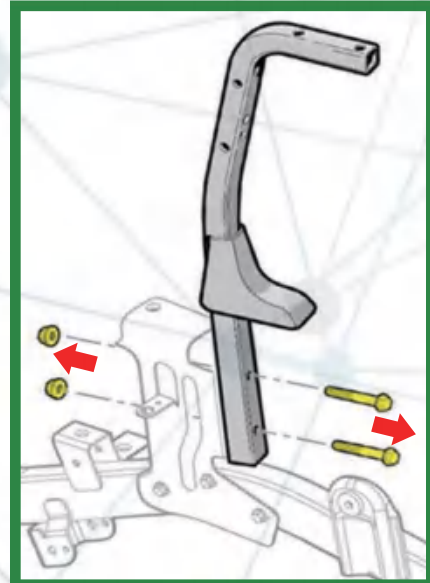
STEP 3

Remove access panel.
(Retain factory hardware)



STEP 4

Remove both seat back support brackets and rubber boots.
(Retain factory hardware)

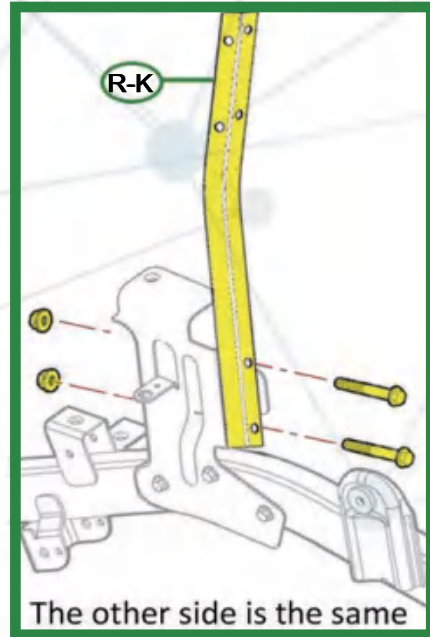


STEP 5

Install the new seat back support using the original hardware.

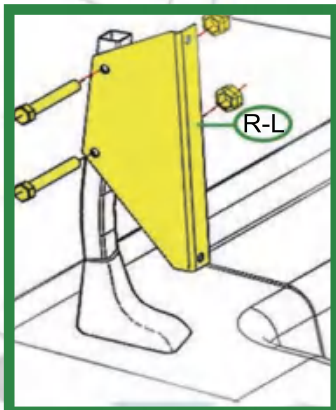
Tighten hardware fully.

Reinstall rubber boots.



STEP 6

Install the seat back support bracket.
Hand tighten only using the original hardware.



The other side is the same.
With part R-M on other side.

STEP 7

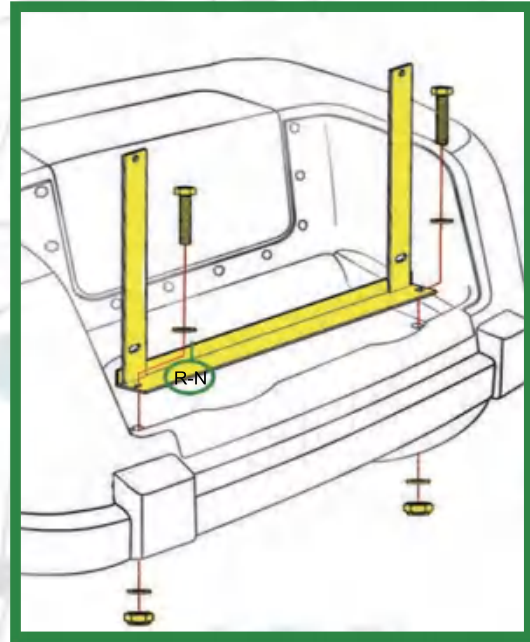
Reinstall the access panel using the original hardware.

STEP 8

Install bag well brackets.

Using a T45 torx screwdriver to remove 2 rear most bolts from the bagwell. Loosely fasten the bagwell bracket with the retain factory hardware.

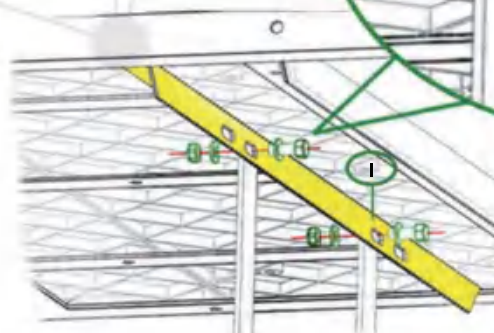
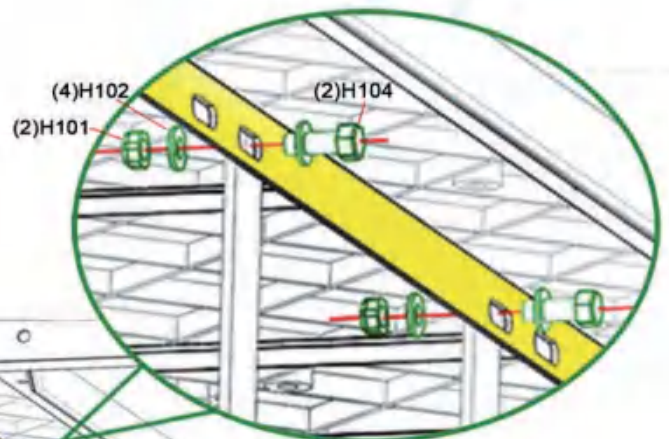
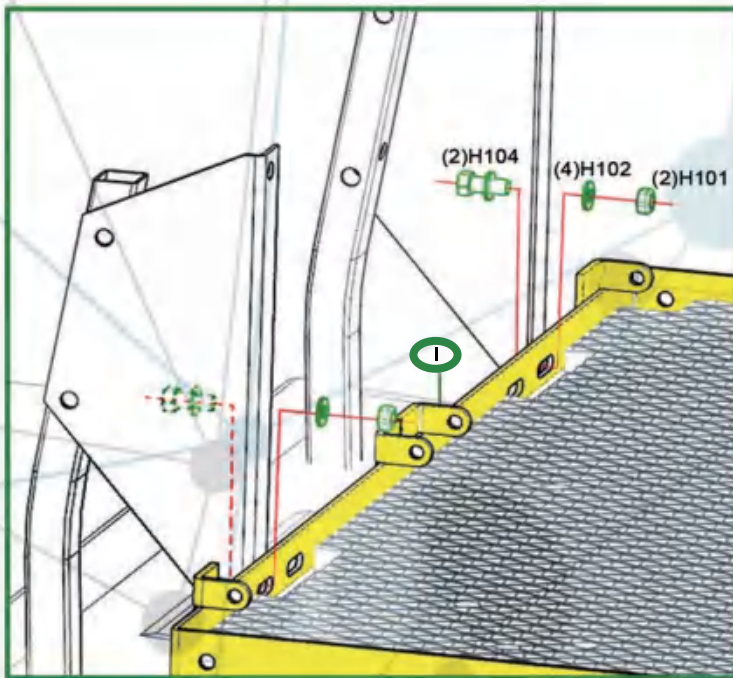
Hand tighten only.



STEP 9

Install seat frame with plastic board.

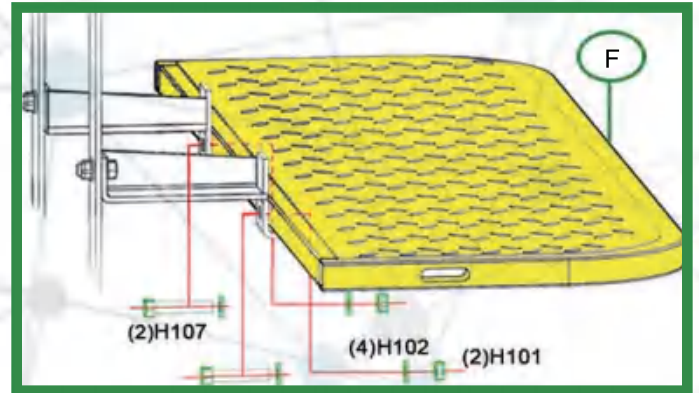
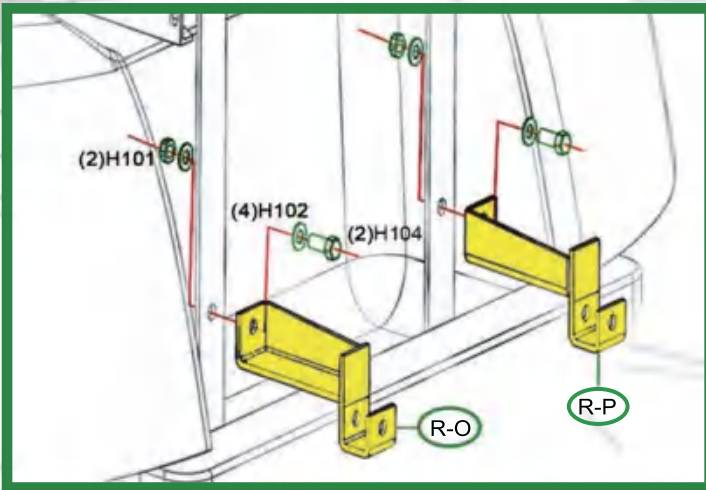
Hand tighten only.



STEP 10

Install footrest support brackets and footrest.

Hand tighten only.

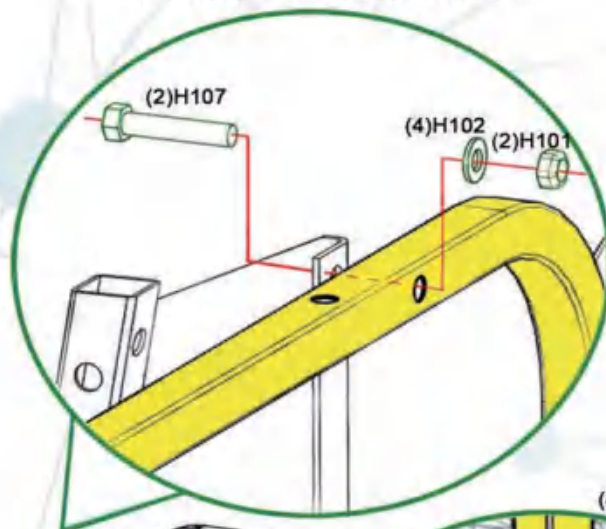
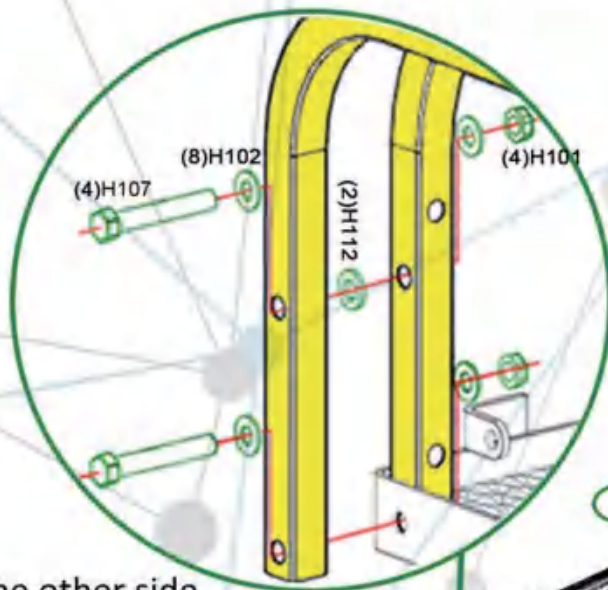


STEP 11

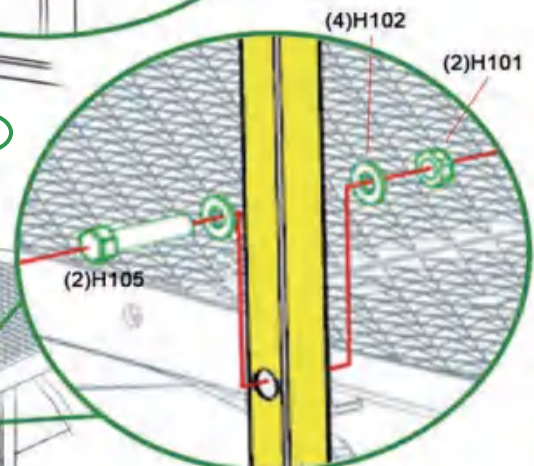
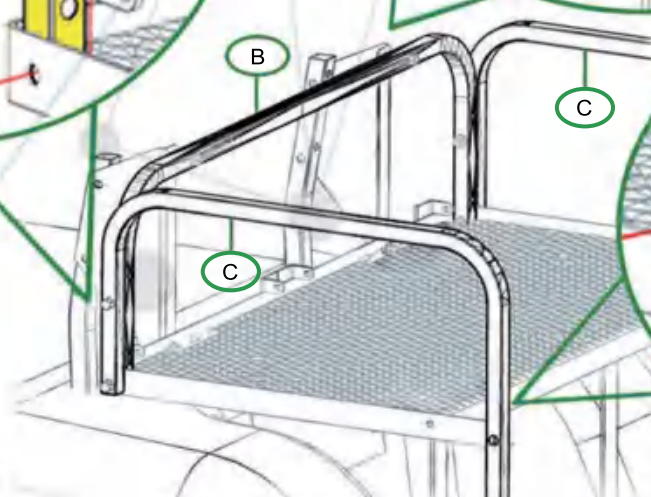
Install support bracket.

Hand tighten only.

The other side is the same.



The other side
is the same.

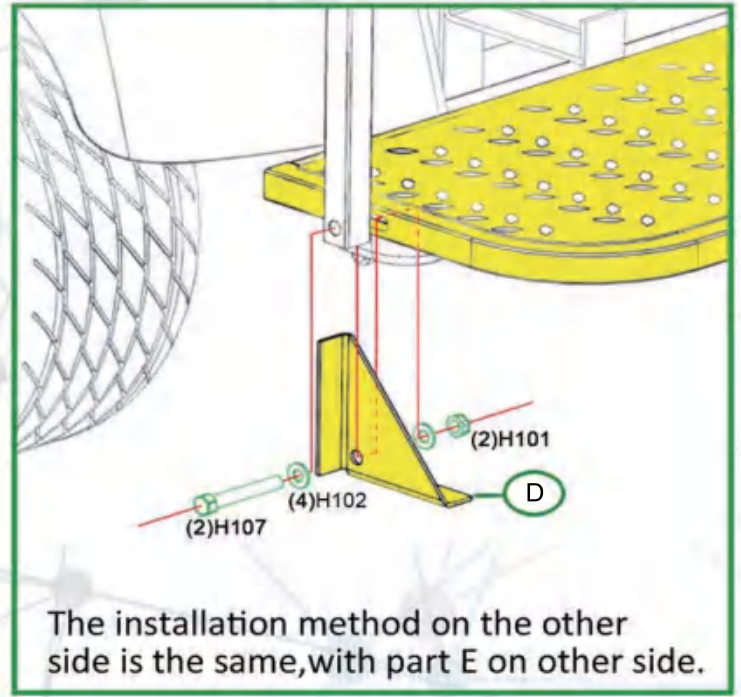


The other side is the same.

STEP 12

Install footrest brackets.

Hand tighten only.



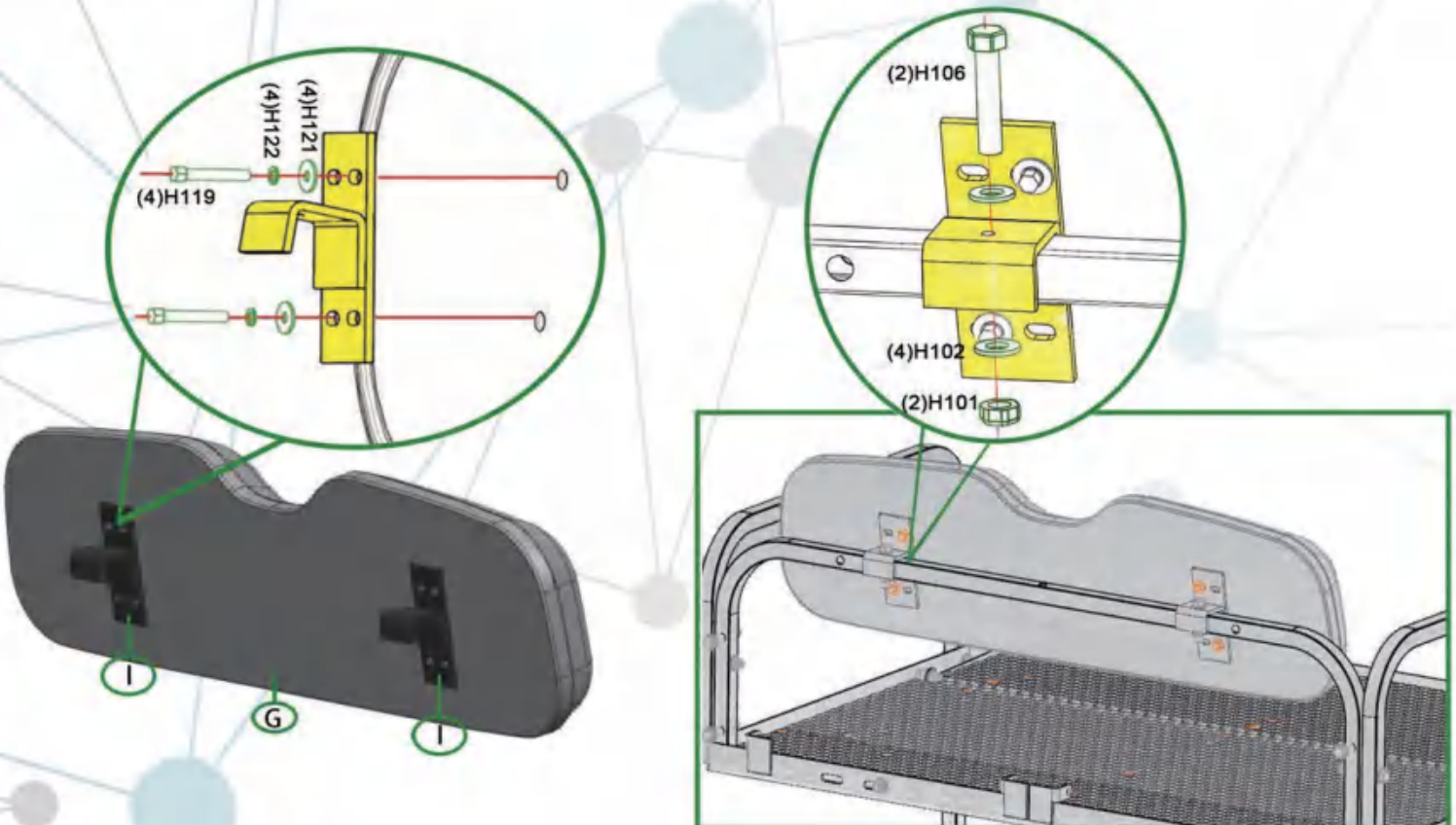
The installation method on the other side is the same, with part E on other side.

STEP 13

Reinstall the front seat back according to the disassembly method with original hardware.

STEP 14

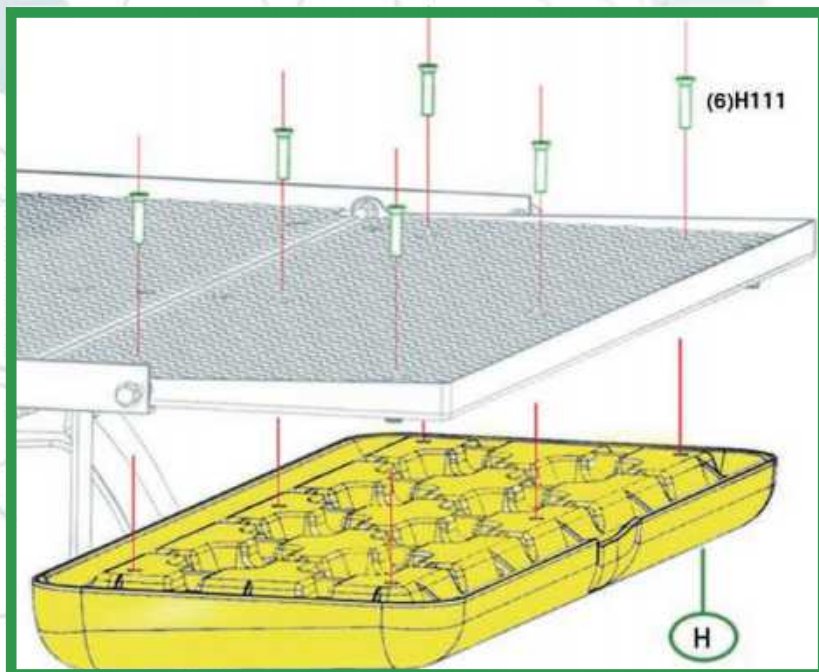
Install rear seat back.



STEP 15

Install seat cushion.

Caution: Use hand screw driver and
Install screws loosely prior to tightening.



STEP 16

Reinstall the top using Original Hardware according to the disassembly method.

STEP 17

Tighten all hardware and enjoy!

