
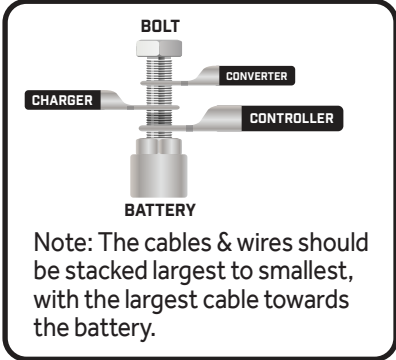
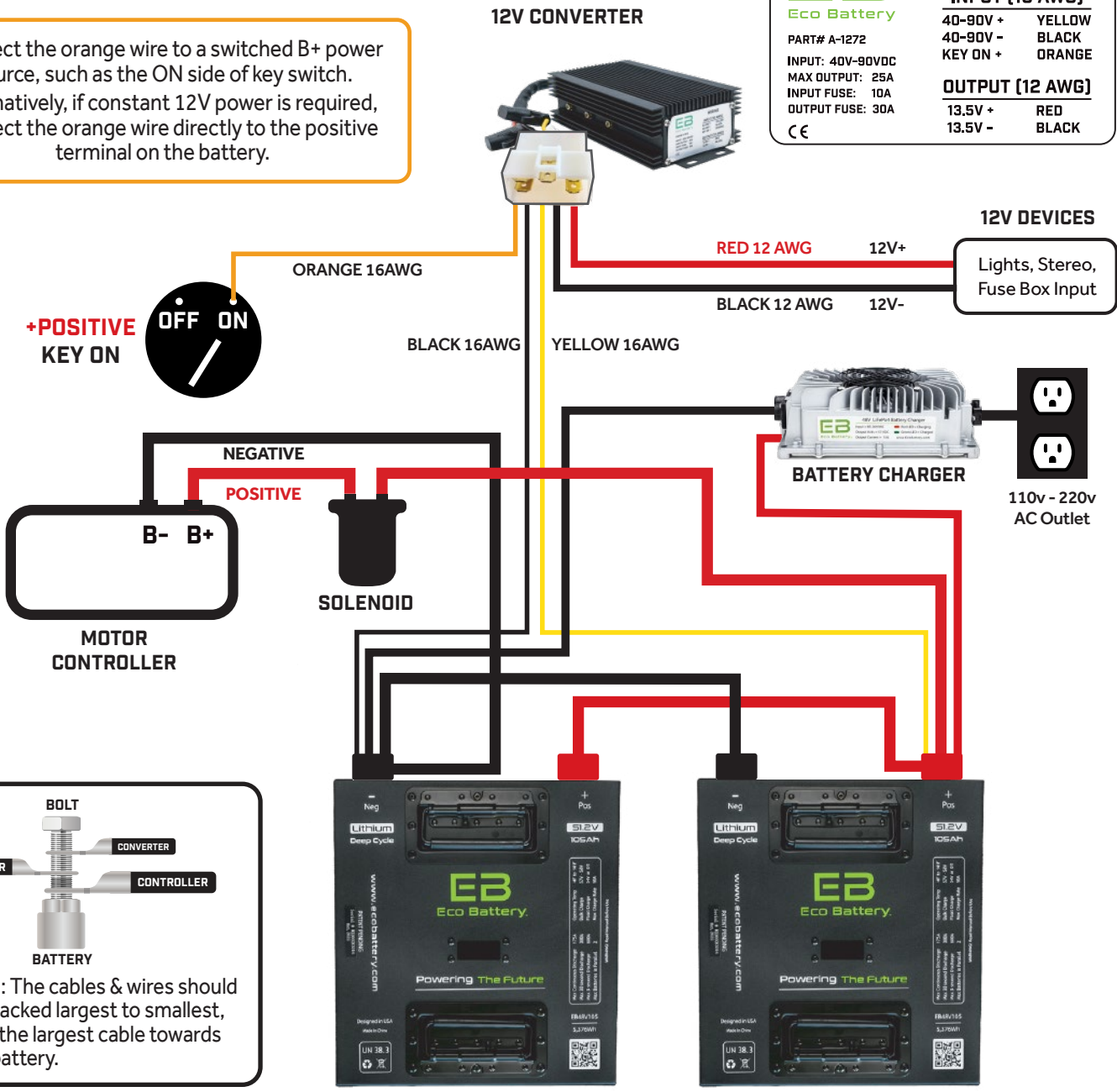


PARALLEL WIRING DIAGRAM

Connect the orange wire to a switched B+ power source, such as the ON side of key switch. Alternatively, if constant 12V power is required, connect the orange wire directly to the positive terminal on the battery.

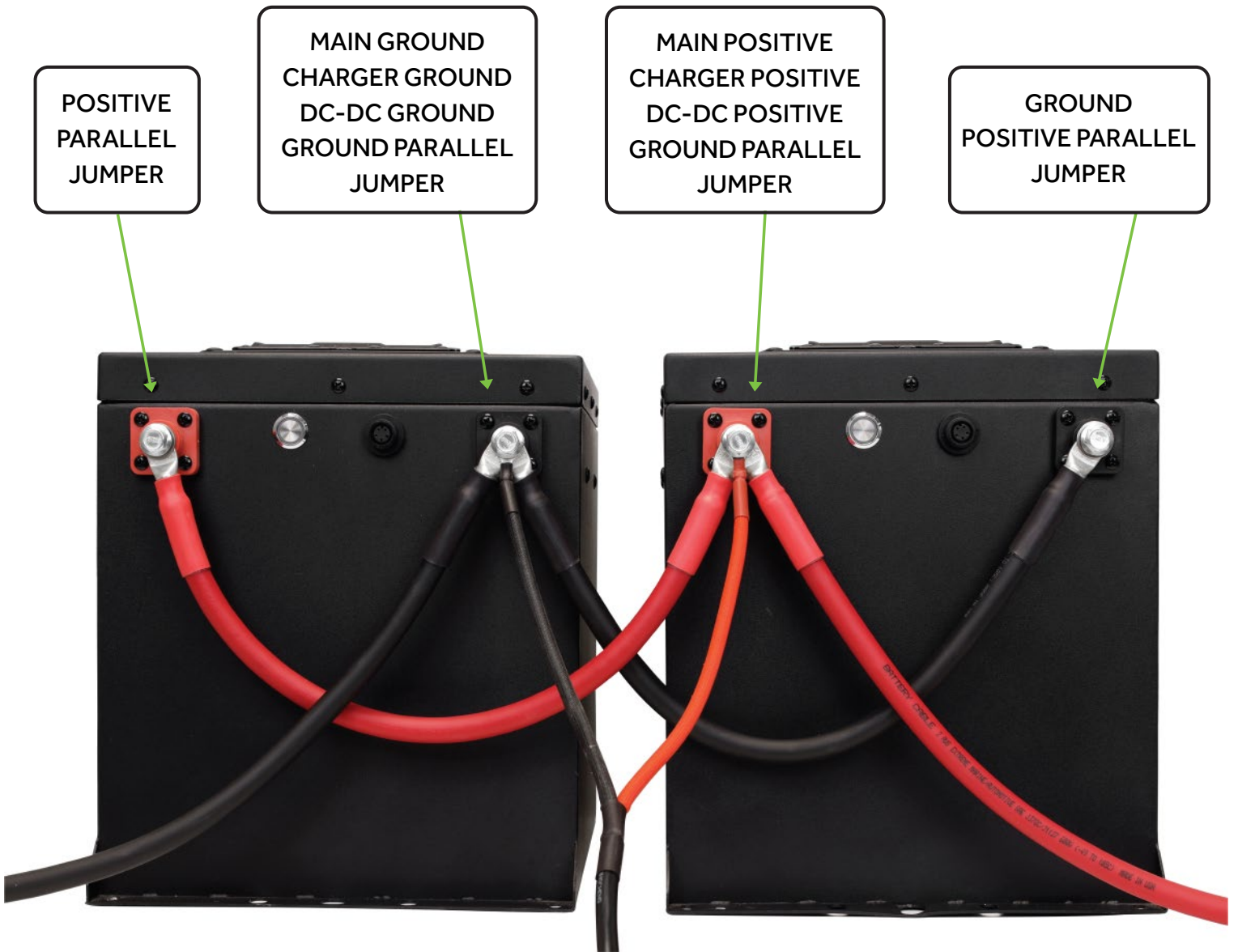
 <p>EB Eco Battery</p> <p>PART# A-1272</p> <p>INPUT: 40V-90VDC MAX OUTPUT: 25A INPUT FUSE: 10A OUTPUT FUSE: 30A</p> <p>CE</p>	WIRING	
	INPUT (16 AWG)	
	40-90V +	YELLOW
40-90V -	BLACK	
KEY ON +	ORANGE	
OUTPUT (12 AWG)		
13.5V +	RED	
13.5V -	BLACK	



Note: The cables & wires should be stacked largest to smallest, with the largest cable towards the battery.

Note: The cables connecting the two batteries together need to be the exact same length and size.

PARALLEL WIRING DIAGRAM



***THE MAIN POSITIVE AND MAIN NEGATIVE SHOULD BE CONNECTED ON OPPOSING BATTERIES, AS SHOWN.**



READ BEFORE INSTALL!



HEAVY
TEAM LIFT REQUIRED



HIGH VOLTAGE
HANDLE WITH CARE



DO NOT PRESSURE
WASH OR SUBMERGE



CHARGE BATTERY
BEFORE USE

WARNINGS

- ⚡ High Voltage. DO NOT install or service this battery unless you are properly trained.
- ⚡ Use only with components that have the same voltage and current rating as the battery.
- DO NOT touch or connect to the terminals unless the battery is manually turned off.
- DO NOT open or attempt to service the battery, there are no user serviceable parts inside.

USE & CARE

- Charge the battery every night to ensure it is always fully charged and ready to use.
- Batteries will not charge if the internal battery temperature falls below 34F.
- DO NOT pressure wash, submerge, or use chemical agents to clean your battery.
- Clean the battery using a damp cloth that does not include chemical agents.



For additional product info, user manuals, user guides, and warranty information, please visit <https://ecobattery.com/quickstart> or scan the QR code.