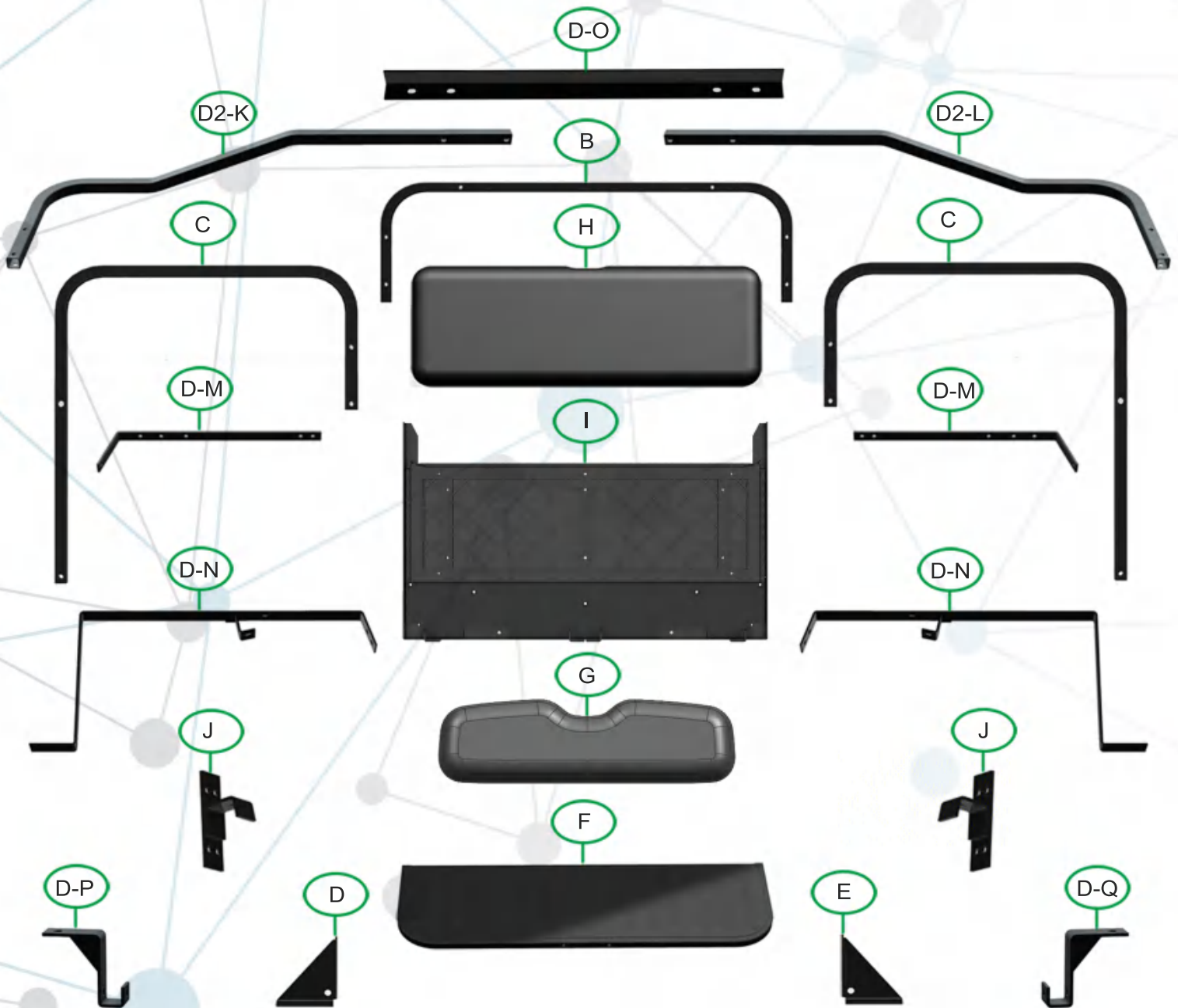


REAR FLIP SEAT

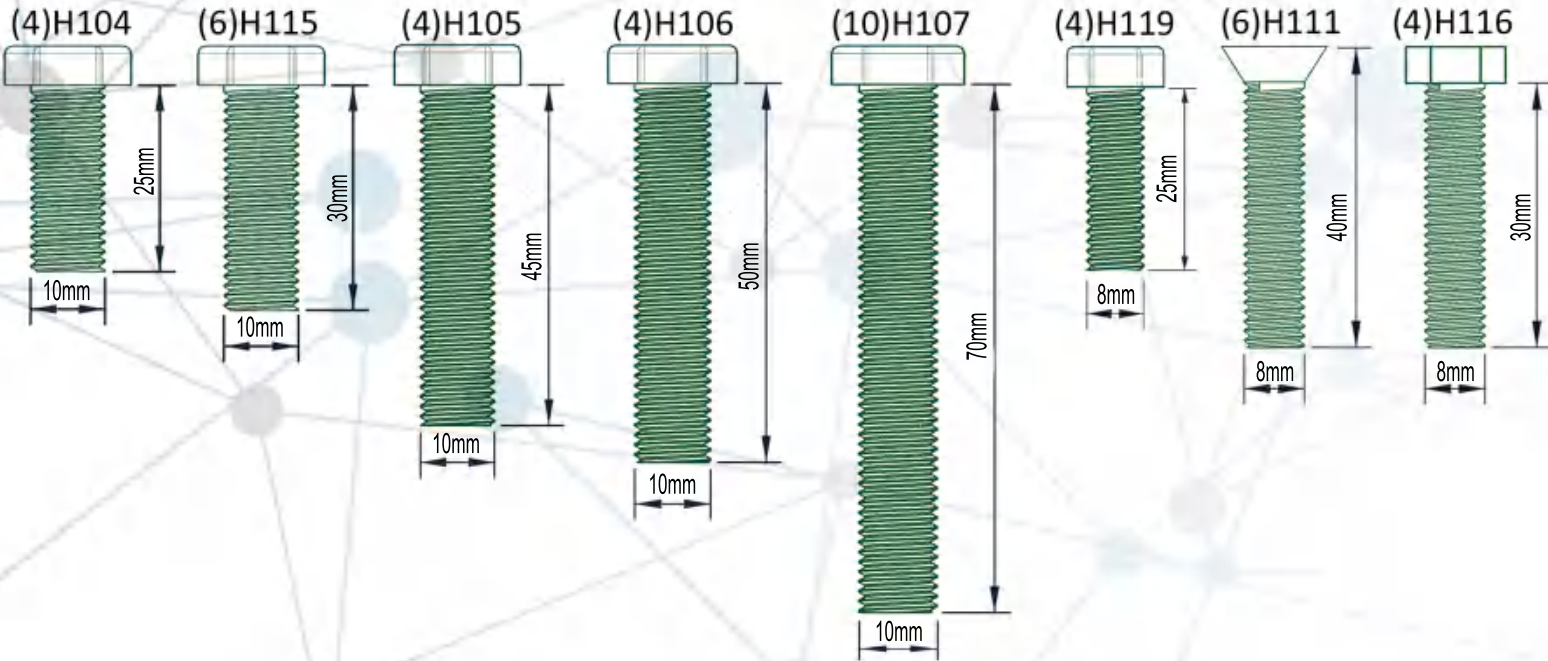
FOR CLUB CARDS 2000.5-UP



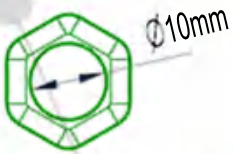
HARDWARE:

Shown to scale

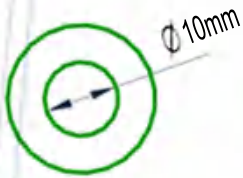
Unit: mm



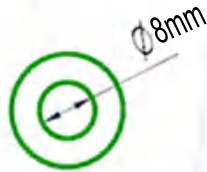
(24)H101



(52)H102



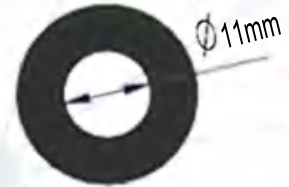
(4)H121



(4)H122



(2)H112

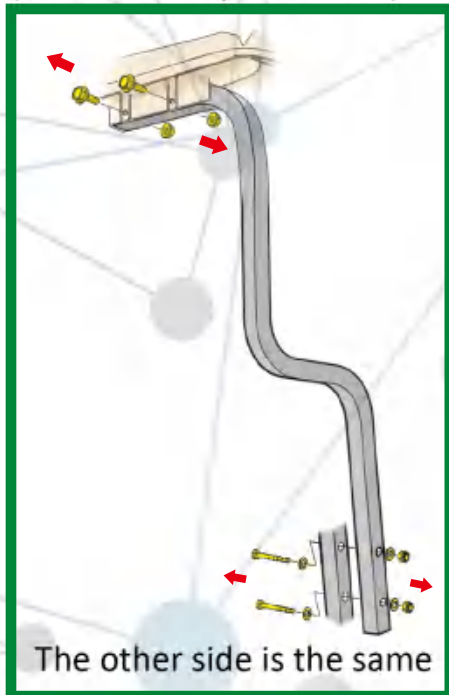


(2)H117



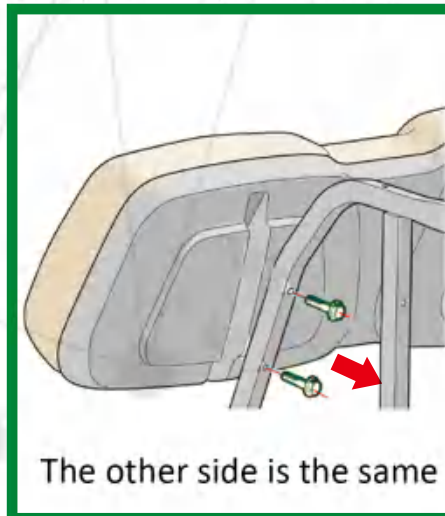
STEP 1

Remove top and rear struts.
(Retain factory hardware).



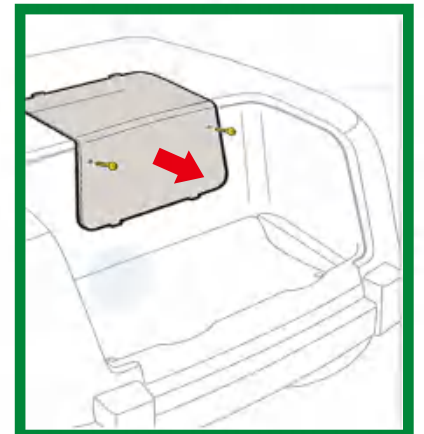
STEP 2

Remove front seat back cushion
while supporting top.
(Retain factory hardware)



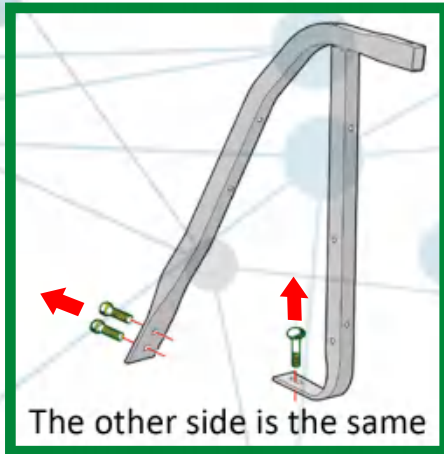
STEP 3

Remove access panel.
(Retain factory hardware)



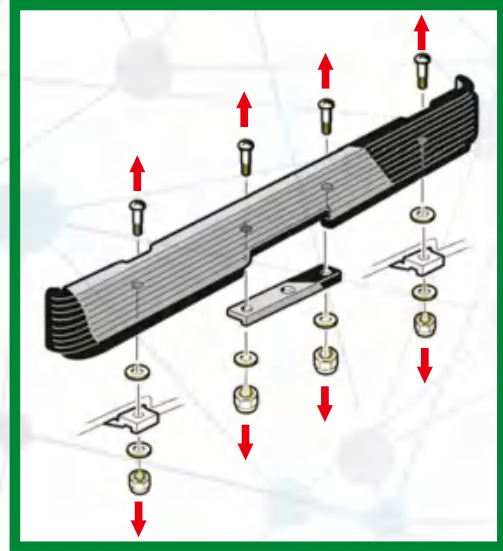
STEP 4

Remove both front seat back supports.



STEP 5

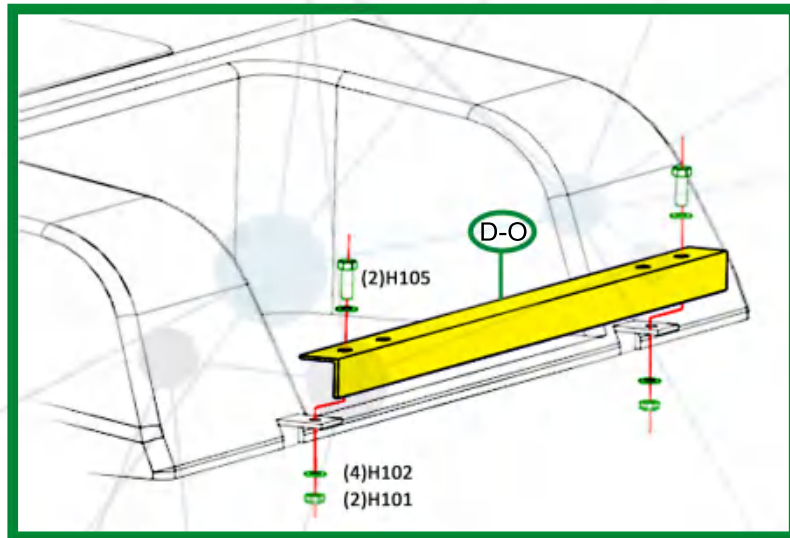
Remove rear bumper.



STEP 6

Install support bracket.

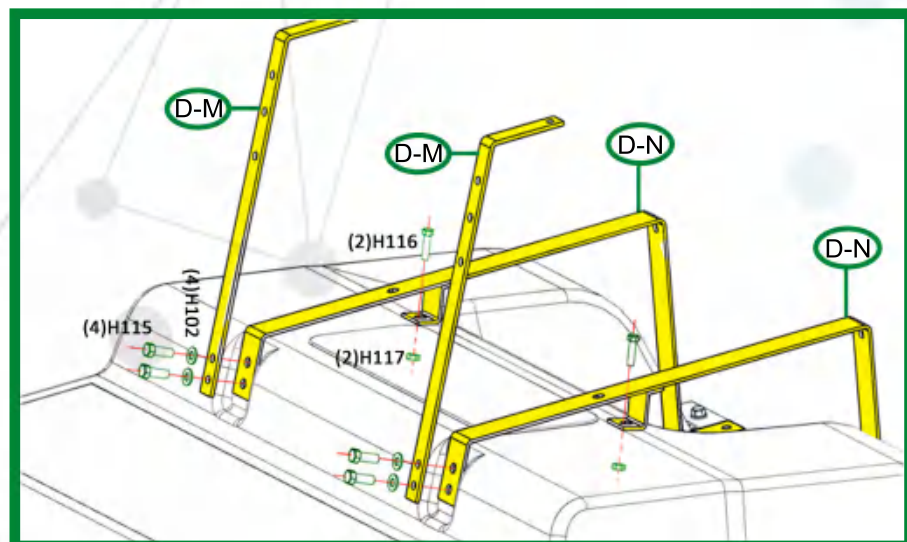
Hand tighten only.



STEP 7

Install seat frame brackets and front seat back brackets.

Fully tighten.



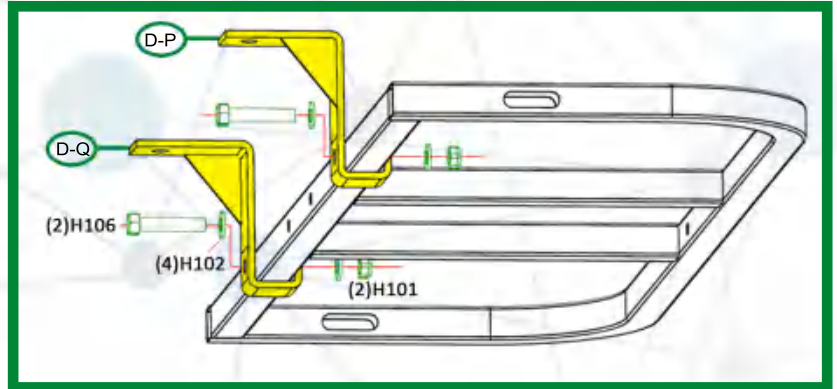
STEP 8

Reinstall the access panel using the original hardware.

STEP 9

Install footrest support brackets.

Hand tighten only.

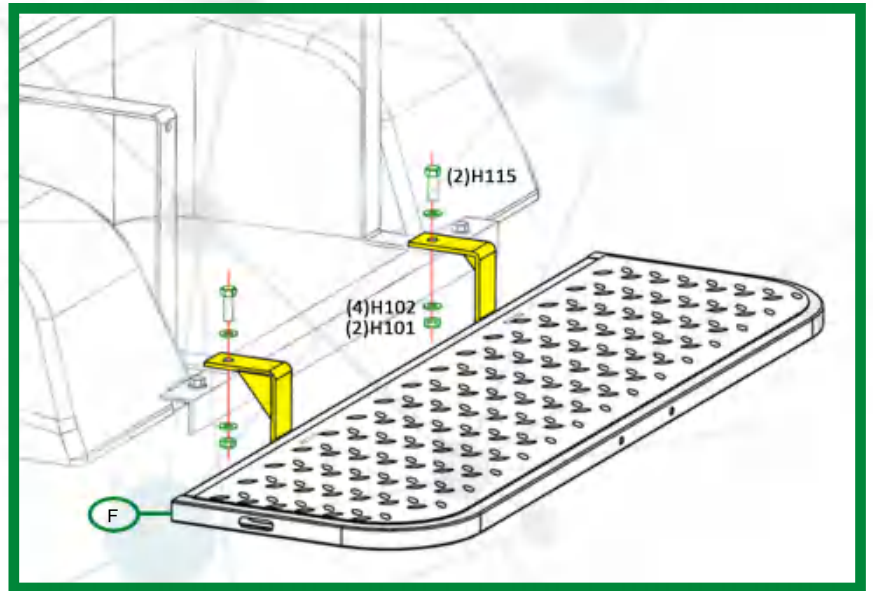


STEP 10

Install footrest.

Tighten bolts from step 7.

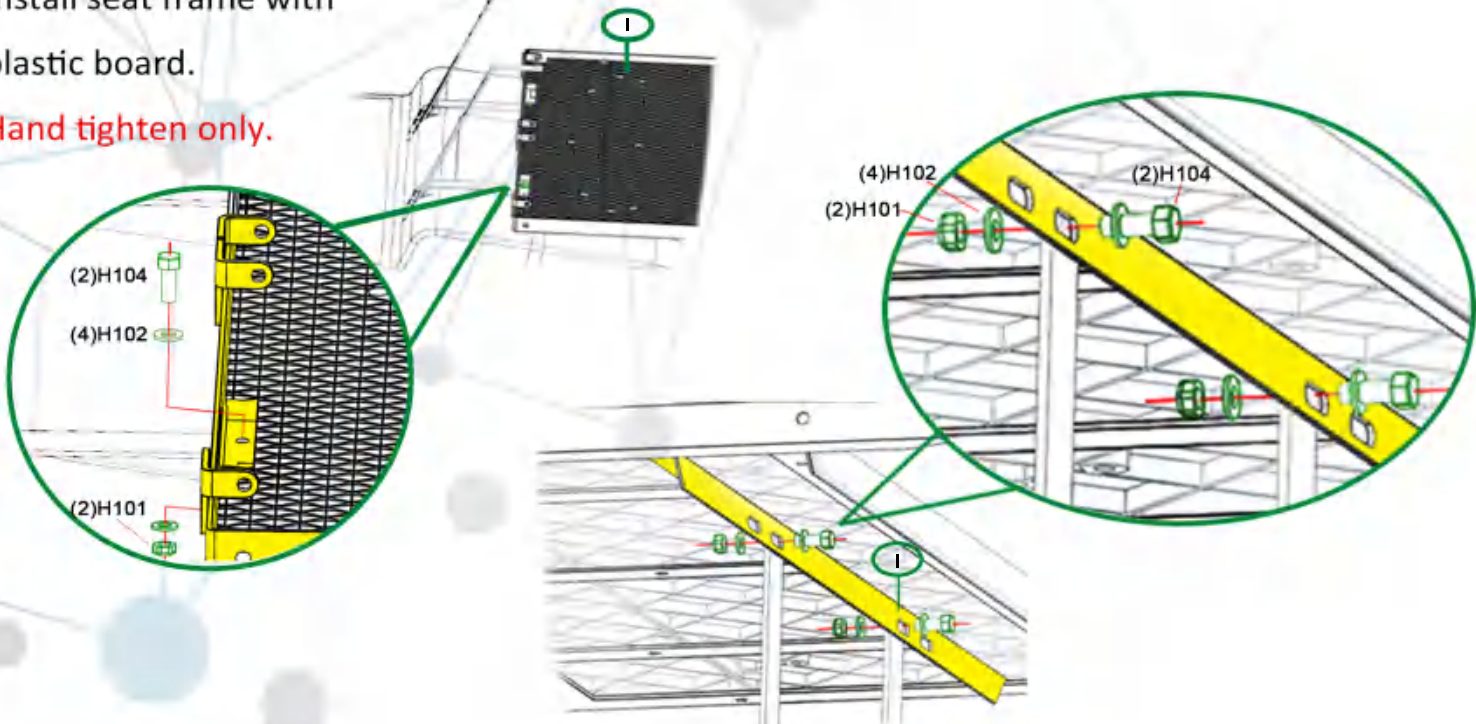
Hand tighten only.



STEP 11

Install seat frame with plastic board.

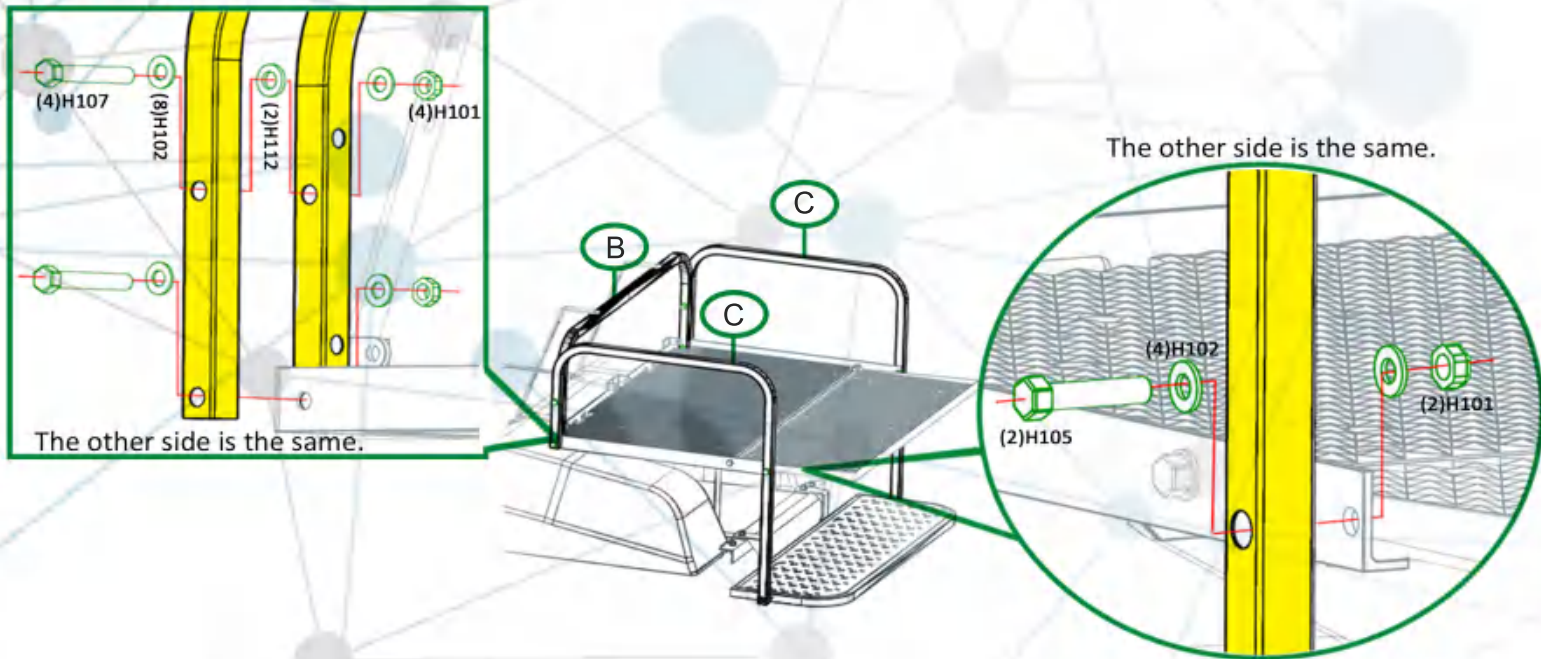
Hand tighten only.



STEP 12

Install support brackets.

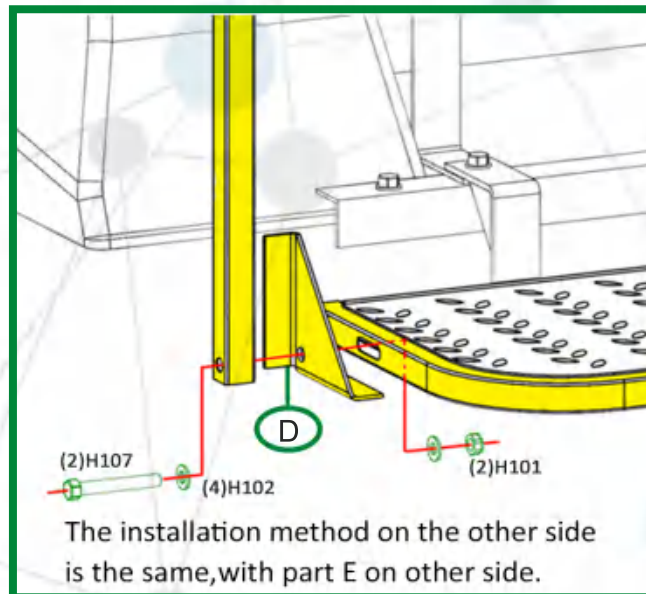
Hand tighten only.



STEP 13

Install footrest brackets.

Hand tighten only.

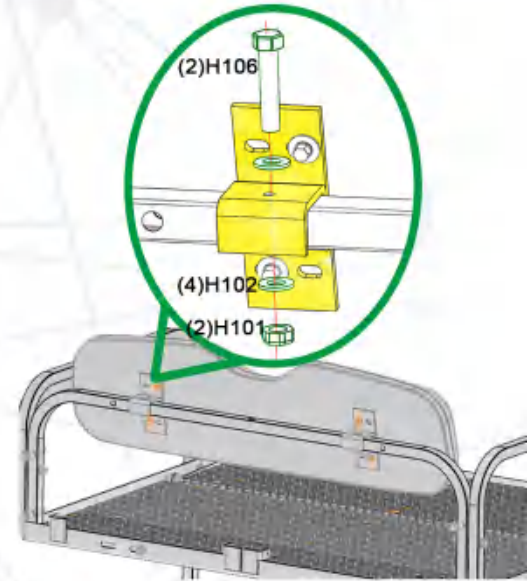
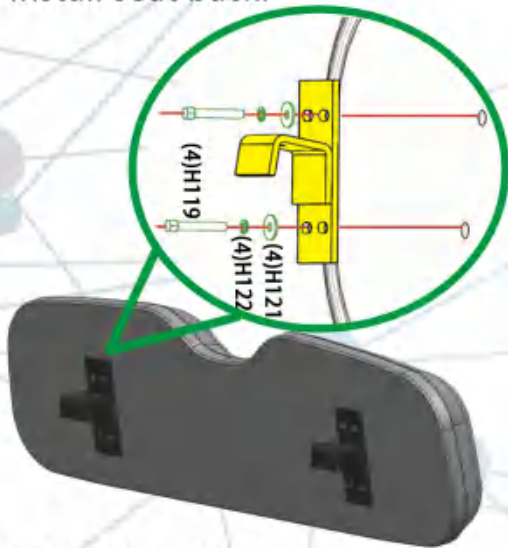


STEP 14

Reinstall the front seat back using original hardware according to the disassembly method.

STEP 15

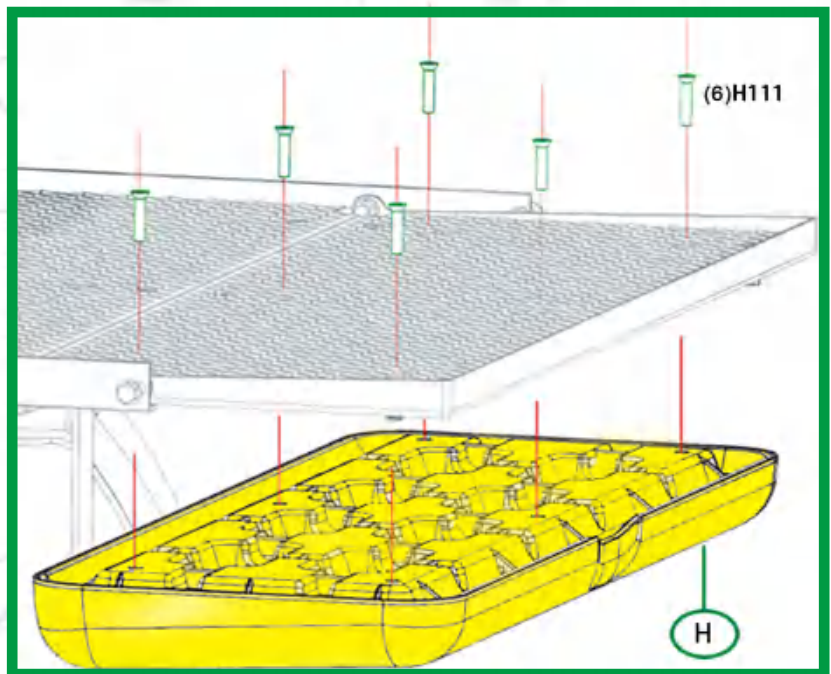
Install seat back.



STEP 16

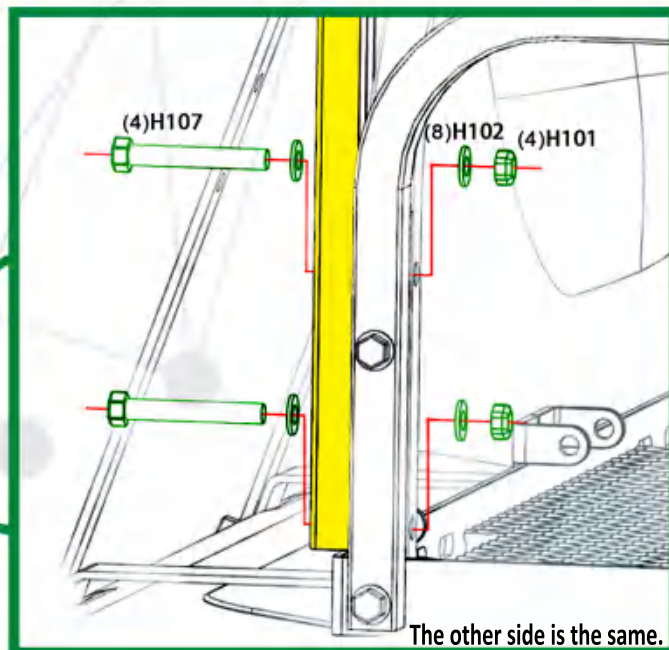
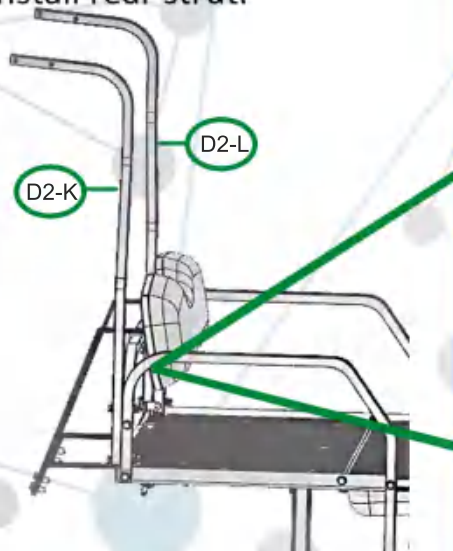
Install seat cushion.

Caution: Use hand screw driver and
Install screws loosely prior to tightening.



STEP 17

Install rear strut.



STEP 18

Reinstall the top using original hardware according to the disassembly method.

STEP 19

Tighten all hardware and enjoy!

