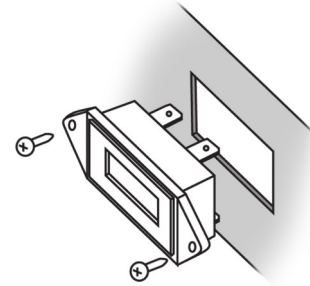


Battery Level Indicator Meter Installation Instructions

Before You Start

1. Turn the key to the OFF position.
2. Place the TOW/RUN switch in TOW.
3. Engage the parking brake.



Install State of Charge Meter

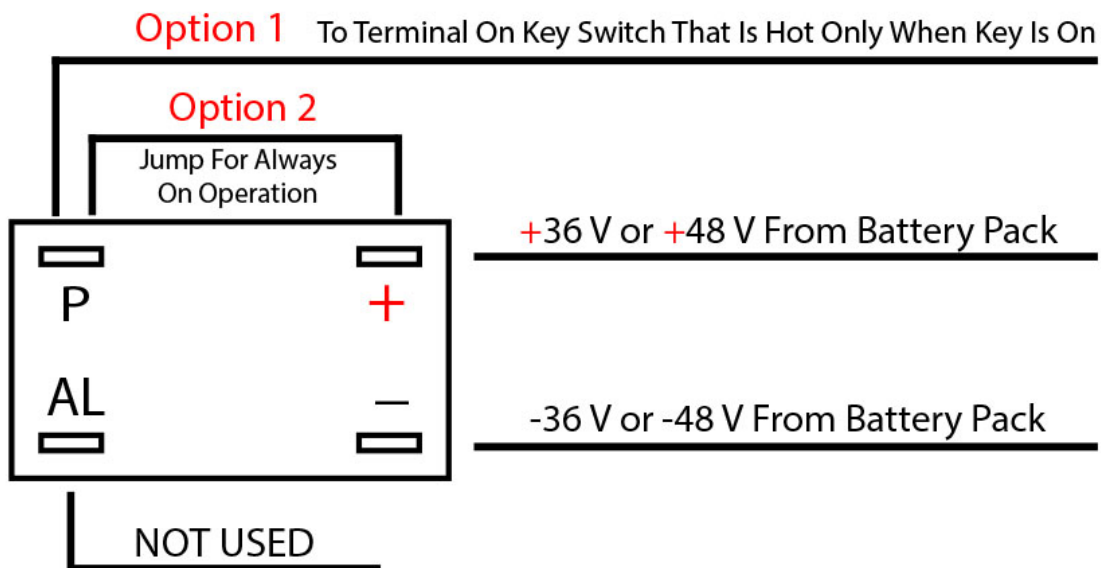
1. Find a location on the dash to mount the state of charge meter.
2. Outline the mounting location with a marking device.
3. Cut the marked area. Test fit the meter. Make any adjustments with a file.

CAUTION: Look behind the mounting location BEFORE you drill or cut. Installer is responsible for damage.

4. File any rough edges.
5. Mount the charge meter securely to the dash of the vehicle as shown using the Hardware Included with the Meter.

NOTE: Be sure the meter is oriented correctly before final installation.

6. Connect the meter using the diagram on the page.



NOTE: Digital meters need (3) complete charge cycles to reach optimal accuracy.