



16-015

# 6 INCH A-ARM LIFT KIT

WILL FIT E-Z-GO® RXV®

## INSTALLATION INSTRUCTIONS

### INCLUDED:

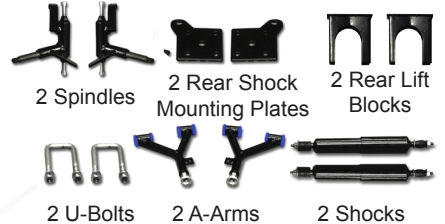
- 1 Main Suspension
- 2 Spindles
- 2 Rear Shock mounting plates
- 2 rear blocks
- 2 U-bolts
- 2 Upper A-arms
- 2 Shocks

### TOOLS NEEDED:

- 15mm Socket
- 17mm Socket
- 25mm Socket
- 15/16 Socket
- 15mm Wrench
- 3/8 Allen Wrench



Main Suspension Assembly



# WARNING:

After installing this lift kit, the front wheels must be properly aligned. Failure to properly align the front wheels may result in decreased ability to control the Golf Cart which may result in a rollover or crash.

**1**

To begin, be sure to engage the parking brake and switch your cart to "off". Also make sure Run/Tow switch is in the "Tow" position. Raise cart with lift and support with jack stands under the frame. Remove front wheels.

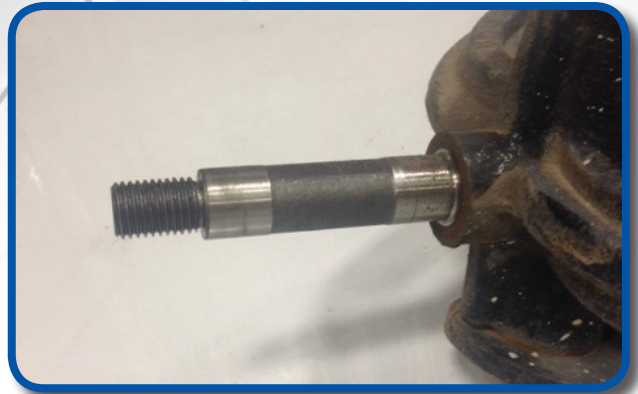


**2**

Using 15mm socket and wrench remove the nuts holding bumper in place. Leave bolt in place until step 5. Retain bumper and hardware.



Using a 15/16 socket remove cotter pin and castle nut from spindle. Remove hub. Retain hub and hardware.



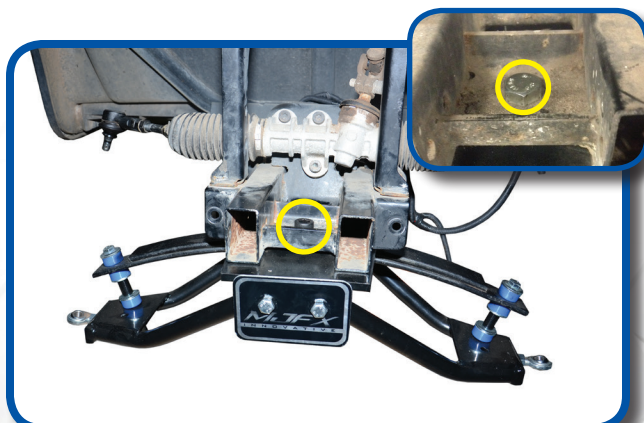
Using a 17mm socket remove cotter pin and castle nut from tie rod and remove the tie rod from the spindle. Retain hardware.

Using a 15mm socket and wrench remove hardware from top of the shock and from the lower control arm. Remove factory suspension assembly from cart. Retain hardware (factory suspension will not be reused).

Repeat Steps 3-5 on the other side.



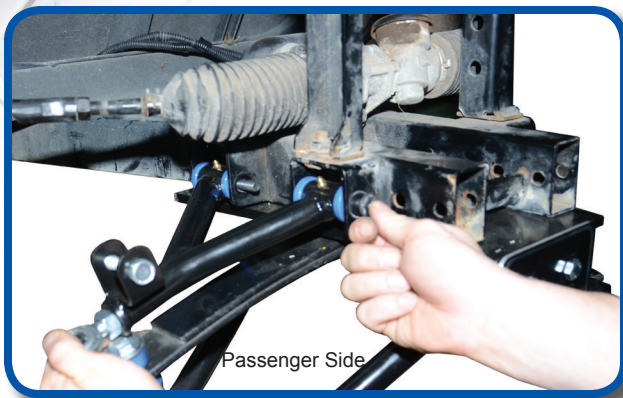
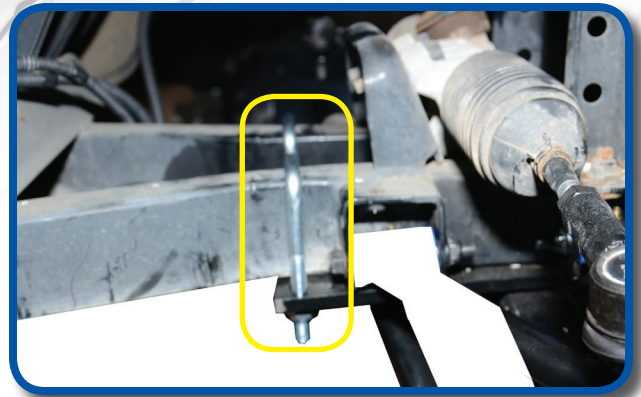
REMOVE TOP NUT FIRST



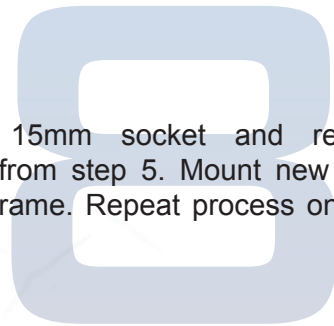
Using a 25mm socket mount Main Suspension Assembly on the front of cart as shown using supplied hardware before tightening install U-bolts in the back of plate.\*A floor jack is recommended to help hold suspension in place while you get your bolts started.

## Grease all fittings in upper and lower A-arms before going to step 7

Using a 17mm socket tighten U-bolts to frame as shown. Tighten each side evenly.

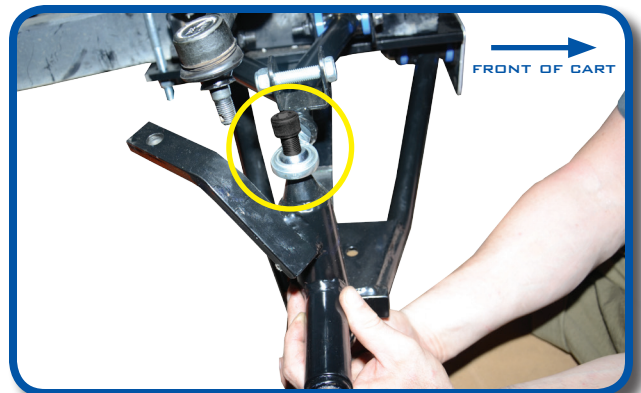


Using a 15mm socket and retained hardware from step 5. Mount new upper A-arm to frame. Repeat process on other side.

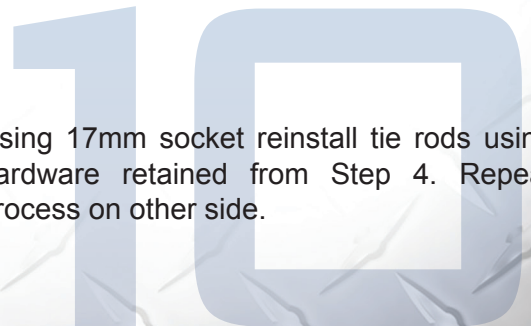
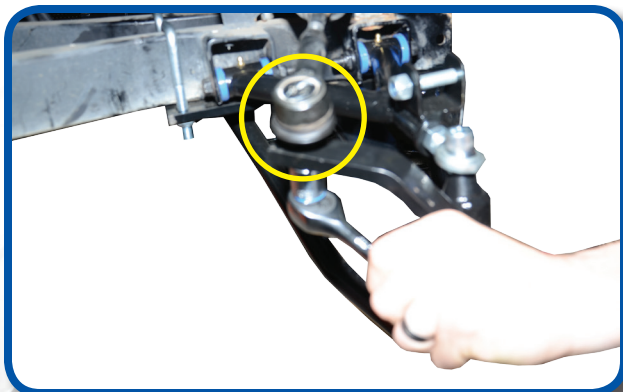


Using 3/8" allen wrench attach spindle to upper and lower A-arms. Repeat on other side.

\*DO NOT use thread locking adhesive until alignment is completed at the end of installation.



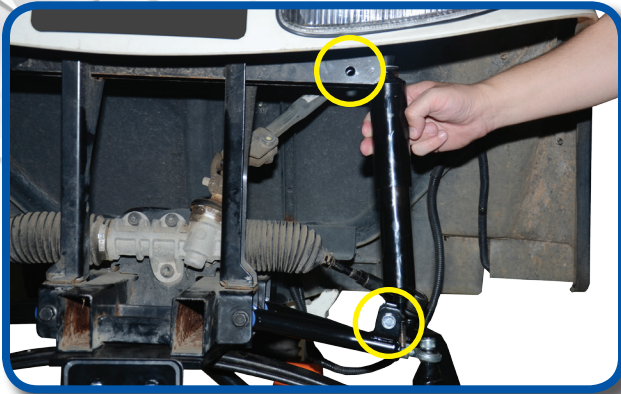
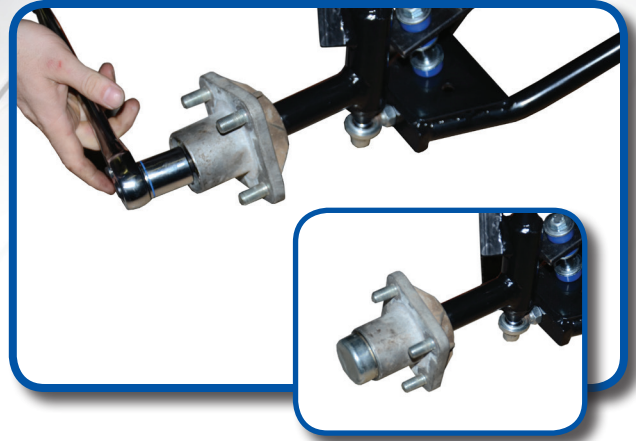
Using 17mm socket reinstall tie rods using hardware retained from Step 4. Repeat process on other side.





# 11

Using 15/16 socket and retained hardware reinstall hub and dustcap. Repeat on the other side.



# 12

Install new shocks to upper mounts using retained hardware from step 5. Now attach new shock to upper A-arm using supplied 17mm hardware. Install bumper using retained hardware from step 2. Install new wheels and lower cart.



Chock front wheels. Raise cart with jack and support using jack stands. Jack must remain in place under the rear end in order to complete the following steps.

**CAUTION:** The jack will be used to support the entire rear end assembly (axle and motor) for a short time while the leaf springs are moved into their new position above the axle. In order to prevent damage to the axle and motor assembly, jack must remain in place, but only apply enough pressure to keep the rear end assembly from falling.

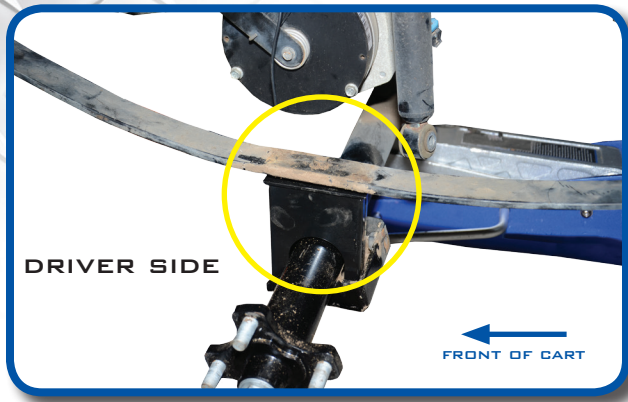
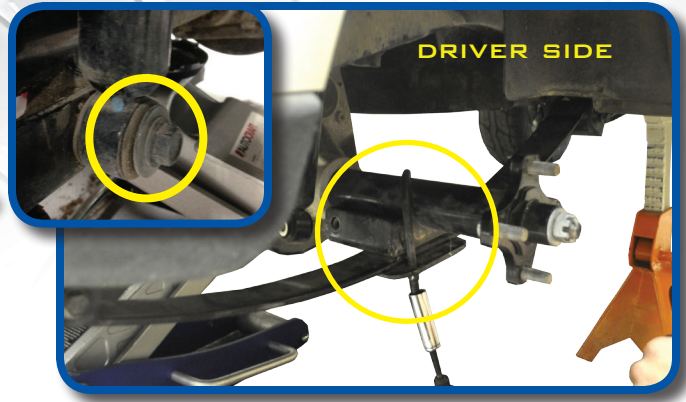


Starting on the passenger's side, remove rear tire and then loosen, but do not remove, factory bolts from leaf spring and U-Bolts. Remove nut and bushing from rear shock. Leave as is, and move to driver's side.

**IMPORTANT:** Ensure jack is properly positioned in order to support rear axle and motor assembly and avoid motor roll.



Using 15mm socket remove driver side shock, factory U-bolt and spring. Retain spring and hardware.



Reinstall factory leaf spring **above** the axle and install rear lift block under the leaf spring as shown. Check spring bushings for rust and wear. Replace if necessary.

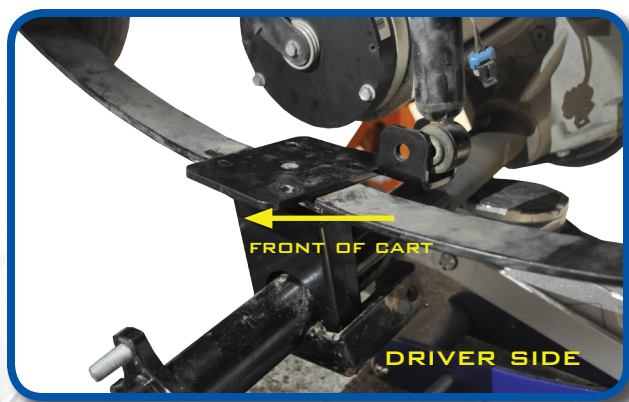
Using the supplied hardware, place bolt on factory bracket as shown and tighten.

**IMPORTANT** Bolt head must be placed on top of factory bracket.

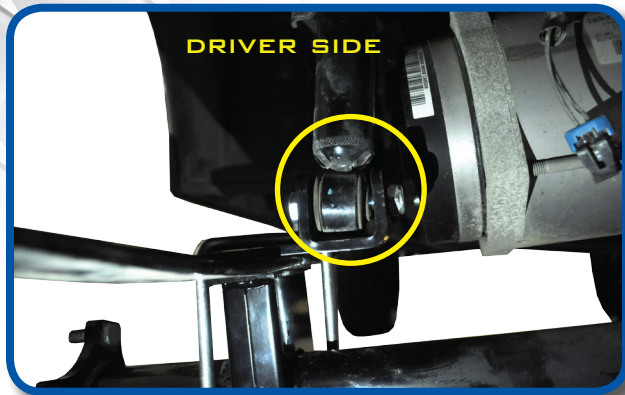
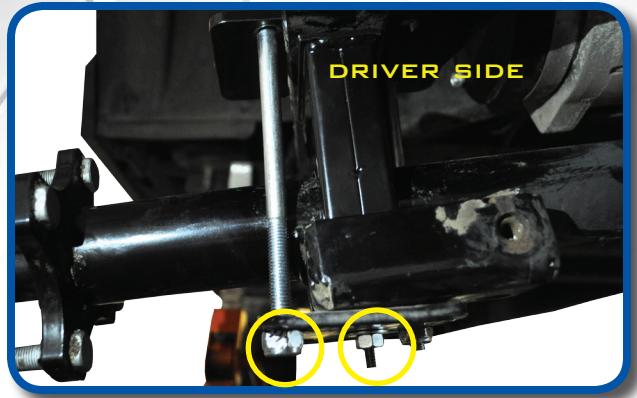
This will be used to align bottom bracket with the Rear Shock Mounting Plate and keep axle in the correct position.



Attach Rear Shock Mounting Plate to top of the spring as shown.

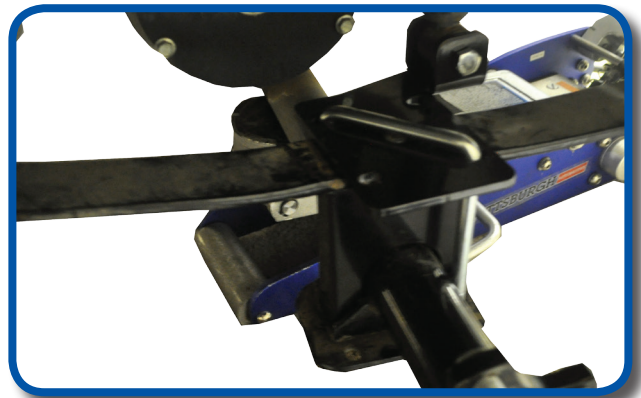


Route supplied U-Bolt down through the top of the Rear Shock Mounting Plate to the bottom factory bracket. Be sure that all alignment bolts are in correct position to keep axle straight. Using a 17mm socket tighten U-bolt evenly to ensure proper alignment.



Attach shock to new shock plate using retained hardware from step 15.

Repeat steps 15-20 on passenger's side. Use jack to lower axle and motor assembly as needed. Once complete, install new wheels, lower cart and proceed with alignment as shown on next page.





# ALIGNMENT INSTRUCTIONS

## WARNING:

After installing this lift kit, the front wheels must be properly aligned. Failure to properly align the front wheels may result in decreased ability to control the Golf Cart which may result in a rollover or crash.

### Tools Needed:

**Helm Joint- 3/4" Wrench**

**Tie Rod- 3/4" Wrench and 11/16" Wrench.**

**IMPORTANT:** Both Camber and Toe must be adjusted on this model.

To adjust for proper camber, use a framing square, level, or some other means of verifying that the tire is at a 90 degree angle to the ground.

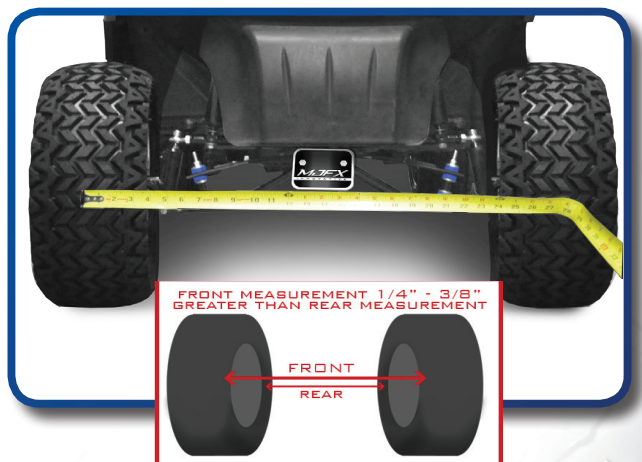
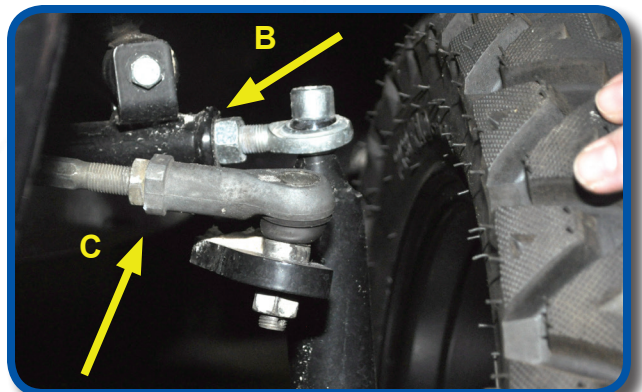
Adjust camber using the two nuts on the bottom heim joint (A).

If adjusting the camber to 90 degrees is not possible using only the adjustment on the bottom heim joint, then the top heim joint (B) must be disconnected from the spindle and rotated as necessary to achieve the correct camber.

**IMPORTANT:** Exposed tie rod threading should be equal on both tie rods. Be sure to retighten all adjustment points after adjustments are made.

\*Once tightened, roll cart back 15-20 feet and then forward again to check. Check measurement reading just if necessary.

**BE SURE TO USE THREAD LOCKING ADHESIVE ON UPPER AND LOWER HEIM JOINTS SPINDLE SCREWS.**



## INSTALLATION COMPLETE

VISIT [WWW.MYADJAX.COM](http://WWW.MYADJAX.COM) FOR MORE INSTALLATION VIDEOS

E-Z-GO®, E-Z-Go® TXT®, and E-Z-Go® RXV® are registered trademarks of Textron Innovations, Inc. ("Textron"). Reference to E-Z-Go®, TXT®, or RXV® or any of Textron's trademarks, word marks, or products is only for purposes of identifying golf carts with which this Madjax product is compatible. Madjax products are aftermarket parts and are not original equipment parts. Madjax is not connected to, affiliated with, sponsored by, or endorsed by Textron or any of its subsidiary companies.

# 16-015 - MADJAX 6" A-ARM LIFT KIT FOR E-Z-GO RXV

## WARRANTY PARTS EXPLODED VIEW DIAGRAM

