

ERSATZTEILLISTE / PÓTALKATRÉSZ LISTA
FÜR FESTBRENNSTOFFHERD / SZILÁRDTÜZELÉSŰ TŰZHELY
TYP / TÍPUS: W2-90

Nr:	Artikel Nr:	Artikel Typ:	
1	W0013200100150	W2-90,RE,V.WEIB,BE.ELE,H85,STAHL	Wamsler
2	W0013200101150	W2-90,RE,V.MKAS,BE.ELE,H85,STAHL	Wamsler
3	W0013200103150	W2-90,RE,V.ANT.M,BE.ELE,H85,STAHL	Wamsler
4	W0013200104150	W2-90,RE,V.BRAUN,BE.ELE,H85,STAHL	Wamsler
5	W0013200105150	W2-90,RE,V.KIESEL,BE.ELE,H85,STAHL	Wamsler
6	W0013200106150	W2-90,RE,V.SCHWARZ,BE.ELE,H85,STAHL	Wamsler
7	W0013200111150	W2-90,RE,V.MARSALA,BE.ELE,H85,STAHL	Wamsler
8	W0013200000150	W2-90,RE,WEIB,BE.ELE,H85,STAHL	Wamsler
9	W0013200001150	W2-90,RE,MKAS,BE.ELE,H85,STAHL	Wamsler
10	W0013200003150	W2-90,RE,ANT.M,BE.ELE,H85,STAHL	Wamsler
11	W0013200004150	W2-90,RE,BRAUN,BE.ELE,H85,STAHL	Wamsler
12	W0013200005150	W2-90,RE,KIESEL,BE.ELE,H85,STAHL	Wamsler
13	W0013200006150	W2-90,RE,SCHWARZ,BE.ELE,H85,STAHL	Wamsler
14	W0013200008150	W2-90,RE,CNS,BE.ELE,H85,STAHL	Wamsler
15	W0013200011150	W2-90,RE,MARSALA,BE.ELE,H85,STAHL	Wamsler
16	W0013210100150	W2-90,RE,V.WEIB,BE.ELE,H85,CER	Wamsler
17	W0013210101150	W2-90,RE,V.MKAS,BE.ELE,H85,CER	Wamsler
18	W0013210103150	W2-90,RE,V.ANT.M,BE.ELE,H85,CER	Wamsler
19	W0013210104150	W2-90,RE,V.BRAUN,BE.ELE,H85,CER	Wamsler
20	W0013210105150	W2-90,RE,V.KIESEL,BE.ELE,H85,CER	Wamsler
21	W0013210106150	W2-90,RE,V.SCHWARZ,BE.ELE,H85,CER	Wamsler
22	W0013210111150	W2-90,RE,V.MARSALA,BE.ELE,H85,CER	Wamsler
23	W0013210000150	W2-90,RE,WEIB,BE.ELE,H85,CER	Wamsler
24	W0013210001150	W2-90,RE,MKAS,BE.ELE,H85,CER	Wamsler
25	W0013210003150	W2-90,RE,ANT.M,BE.ELE,H85,CER	Wamsler
26	W0013210004150	W2-90,RE,BRAUN,BE.ELE,H85,CER	Wamsler
27	W0013210005150	W2-90,RE,KIESEL,BE.ELE,H85,CER	Wamsler
28	W0013210006150	W2-90,RE,SCHWARZ,BE.ELE,H85,CER	Wamsler
29	W0013210008150	W2-90,RE,CNS,BE.ELE,H85,CER	Wamsler
30	W0013210011150	W2-90,RE,MARSALA,BE.ELE,H85,CER	Wamsler
31	W0013220100150	W2-90,RE,V.WEIB,BE.ELE,H85,ST/CER	Wamsler
32	W0013220101150	W2-90,RE,V.MKAS,BE.ELE,H85,ST/CER	Wamsler
33	W0013220103150	W2-90,RE,V.ANT.M,BE.ELE,H85,ST/CER	Wamsler
34	W0013220104150	W2-90,RE,V.BRAUN,BE.ELE,H85,ST/CER	Wamsler
35	W0013220105150	W2-90,RE,V.KIESEL,BE.ELE,H85,ST/CER	Wamsler
36	W0013220106150	W2-90,RE,V.SCHWARZ,BE.ELE,H85,ST/CER	Wamsler
37	W0013220111150	W2-90,RE,V.MARSALA,BE.ELE,H85,ST/CER	Wamsler

ERSATZTEILLISTE / PÓTALKATRÉSZ LISTA
FÜR FESTBRENNSTOFFHERD / SZILÁRDTÜZELÉSŰ TŰZHELY
TYP / TÍPUS: W2-90

Nr:	Artikel Nr:	Artikel Typ:	
38	W0013220000150	W2-90,RE,WEIß,BE.ELE,H85,ST/CER	Wamsler
39	W0013220001150	W2-90,RE,MKAS,BE.ELE,H85,ST/CER	Wamsler
40	W00132200003150	W2-90,RE,ANT.M,BE.ELE,H85,ST/CER	Wamsler
41	W00132200004150	W2-90,RE,BRAUN,BE.ELE,H85,ST/CER	Wamsler
42	W00132200005150	W2-90,RE,KIESEL,BE.ELE,H85,ST/CER	Wamsler
43	W00132200006150	W2-90,RE,SCHWARZ,BE.ELE,H85,ST/CER	Wamsler
44	W00132200008150	W2-90,RE,CNS,BE.ELE,H85,ST/CER	Wamsler
45	W0013220011150	W2-90,RE,MARSALA,BE.ELE,H85,ST/CER	Wamsler
46	W0013200100160	W2-90,RE,V.WEIß,BE.FASH,H85,STAHL	Wamsler
47	W0013200101160	W2-90,RE,V.MKAS,BE.FASH,H85,STAHL	Wamsler
48	W0013200103160	W2-90,RE,V.ANT.M,BE.FASH,H85,STAHL	Wamsler
49	W0013200104160	W2-90,RE,V.BRAUN,BE.FASH,H85,STAHL	Wamsler
50	W0013200105160	W2-90,RE,V.KIESEL,BE.FASH,H85,STAHL	Wamsler
51	W0013200106160	W2-90,RE,V.SCHWARZ,BE.FASH,H85,STAHL	Wamsler
52	W0013200111160	W2-90,RE,V.MARSALA,BE.FASH,H85,STAHL	Wamsler
53	W0013200000160	W2-90,RE,WEIß,BE.FASH,H85,STAHL	Wamsler
54	W0013200001160	W2-90,RE,MKAS,BE.FASH,H85,STAHL	Wamsler
55	W0013200003160	W2-90,RE,ANT.M,BE.FASH,H85,STAHL	Wamsler
56	W0013200004160	W2-90,RE,BRAUN,BE.FASH,H85,STAHL	Wamsler
57	W0013200005160	W2-90,RE,KIESEL,BE.FASH,H85,STAHL	Wamsler
58	W0013200006160	W2-90,RE,SCHWARZ,BE.FASH,H85,STAHL	Wamsler
59	W0013200008160	W2-90,RE,CNS,BE.FASH,H85,STAHL	Wamsler
60	W0013200011160	W2-90,RE,MARSALA,BE.FASH,H85,STAHL	Wamsler
61	W0013210100160	W2-90,RE,V.WEIß,BE.FASH,H85,CER	Wamsler
62	W0013210101160	W2-90,RE,V.MKAS,BE.FASH,H85,CER	Wamsler
63	W0013210103160	W2-90,RE,V.ANT.M,BE.FASH,H85,CER	Wamsler
64	W0013210104160	W2-90,RE,V.BRAUN,BE.FASH,H85,CER	Wamsler
65	W0013210105160	W2-90,RE,V.KIESEL,BE.FASH,H85,CER	Wamsler
66	W0013210106160	W2-90,RE,V.SCHWARZ,BE.FASH,H85,CER	Wamsler
67	W0013210111160	W2-90,RE,V.MARSALA,BE.FASH,H85,CER	Wamsler
68	W0013210000160	W2-90,RE,WEIß,BE.FASH,H85,CER	Wamsler
69	W0013210001160	W2-90,RE,MKAS,BE.FASH,H85,CER	Wamsler
70	W0013210003160	W2-90,RE,ANT.M,BE.FASH,H85,CER	Wamsler
71	W0013210004160	W2-90,RE,BRAUN,BE.FASH,H85,CER	Wamsler
72	W0013210005160	W2-90,RE,KIESEL,BE.FASH,H85,CER	Wamsler
73	W0013210006160	W2-90,RE,SCHWARZ,BE.FASH,H85,CER	Wamsler
74	W0013210008160	W2-90,RE,CNS,BE.FASH,H85,CER	Wamsler

ERSATZTEILLISTE / PÓTALKATRÉSZ LISTA
FÜR FESTBRENNSTOFFHERD / SZILÁRDTÜZELÉSŰ TŰZHELY
TYP / TÍPUS: W2-90

Nr:	Artikel Nr:	Artikel Typ:	
75	W0013210011160	W2-90,RE,MARSALA,BE.FASH,H85,CER	Wamsler
76	W0013220100160	W2-90,RE,V.WEIB,BE.FASH,H85,ST/CER	Wamsler
77	W0013220101160	W2-90,RE,V.MKAS,BE.FASH,H85,ST/CER	Wamsler
78	W0013220103160	W2-90,RE,V.ANT.M,BE.FASH,H85,ST/CER	Wamsler
79	W0013220104160	W2-90,RE,V.BRAUN,BE.FASH,H85,ST/CER	Wamsler
80	W0013220105160	W2-90,RE,V.KIESEL,BE.FASH,H85,ST/CER	Wamsler
81	W0013220106160	W2-90,RE,V.SCHWARZ,BE.FASH,H85,ST/CER	Wamsler
82	W0013220111160	W2-90,RE,V.MARSALA,BE.FASH,H85,ST/CER	Wamsler
83	W0013220000160	W2-90,RE,WEIB,BE.FASH,H85,ST/CER	Wamsler
84	W0013220001160	W2-90,RE,MKAS,BE.FASH,H85,ST/CER	Wamsler
85	W0013220003160	W2-90,RE,ANT.M,BE.FASH,H85,ST/CER	Wamsler
86	W0013220004160	W2-90,RE,BRAUN,BE.FASH,H85,ST/CER	Wamsler
87	W0013220005160	W2-90,RE,KIESEL,BE.FASH,H85,ST/CER	Wamsler
88	W0013220006160	W2-90,RE,SCHWARZ,BE.FASH,H85,ST/CER	Wamsler
89	W0013220008160	W2-90,RE,CNS,BE.FASH,H85,ST/CER	Wamsler
90	W0013220011160	W2-90,RE,MARSALA,BE.FASH,H85,ST/CER	Wamsler
91	W0013200100151	W2-90,RE,V.WEIB,BE.ELE,H90,STAHL	Wamsler
92	W0013200101151	W2-90,RE,V.MKAS,BE.ELE,H90,STAHL	Wamsler
93	W0013200103151	W2-90,RE,V.ANT.M,BE.ELE,H90,STAHL	Wamsler
94	W0013200104151	W2-90,RE,V.BRAUN,BE.ELE,H90,STAHL	Wamsler
95	W0013200105151	W2-90,RE,V.KIESEL,BE.ELE,H90,STAHL	Wamsler
96	W0013200106151	W2-90,RE,V.SCHWARZ,BE.ELE,H90,STAHL	Wamsler
97	W0013200111151	W2-90,RE,V.MARSALA,BE.ELE,H90,STAHL	Wamsler
98	W0013200000151	W2-90,RE,WEIB,BE.ELE,H90,STAHL	Wamsler
99	W0013200001151	W2-90,RE,MKAS,BE.ELE,H90,STAHL	Wamsler
100	W0013200003151	W2-90,RE,ANT.M,BE.ELE,H90,STAHL	Wamsler
101	W0013200004151	W2-90,RE,BRAUN,BE.ELE,H90,STAHL	Wamsler
102	W0013200005151	W2-90,RE,KIESEL,BE.ELE,H90,STAHL	Wamsler
103	W0013200006151	W2-90,RE,SCHWARZ,BE.ELE,H90,STAHL	Wamsler
104	W0013200008151	W2-90,RE,CNS,BE.ELE,H90,STAHL	Wamsler
105	W0013200011151	W2-90,RE,MARSALA,BE.ELE,H90,STAHL	Wamsler
106	W0013210100151	W2-90,RE,V.WEIB,BE.ELE,H90,CER	Wamsler
107	W0013210101151	W2-90,RE,V.MKAS,BE.ELE,H90,CER	Wamsler
108	W0013210103151	W2-90,RE,V.ANT.M,BE.ELE,H90,CER	Wamsler
109	W0013210104151	W2-90,RE,V.BRAUN,BE.ELE,H90,CER	Wamsler
110	W0013210105151	W2-90,RE,V.KIESEL,BE.ELE,H90,CER	Wamsler
111	W0013210106151	W2-90,RE,V.SCHWARZ,BE.ELE,H90,CER	Wamsler

ERSATZTEILLISTE / PÓTALKATRÉSZ LISTA
FÜR FESTBRENNSTOFFHERD / SZILÁRDTÜZELÉSŰ TŰZHELY
TYP / TÍPUS: W2-90

Nr:	Artikel Nr:	Artikel Typ:	
112	W0013210111151	W2-90,RE,V.MARSALA,BE.ELE,H90,CER	Wamsler
113	W0013210000151	W2-90,RE,WEIß,BE.ELE,H90,CER	Wamsler
114	W0013210001151	W2-90,RE,MKAS,BE.ELE,H90,CER	Wamsler
115	W0013210003151	W2-90,RE,ANT.M,BE.ELE,H90,CER	Wamsler
116	W0013210004151	W2-90,RE,BRAUN,BE.ELE,H90,CER	Wamsler
117	W0013210005151	W2-90,RE,KIESEL,BE.ELE,H90,CER	Wamsler
118	W0013210006151	W2-90,RE,SCHWARZ,BE.ELE,H90,CER	Wamsler
119	W0013210008151	W2-90,RE,CNS,BE.ELE,H90,CER	Wamsler
120	W0013210011151	W2-90,RE,MARSALA,BE.ELE,H90,CER	Wamsler
121	W0013220100151	W2-90,RE,V.WEIß,BE.ELE,H90,ST/CER	Wamsler
122	W0013220101151	W2-90,RE,V.MKAS,BE.ELE,H90,ST/CER	Wamsler
123	W0013220103151	W2-90,RE,V.ANT.M,BE.ELE,H90,ST/CER	Wamsler
124	W0013220104151	W2-90,RE,V.BRAUN,BE.ELE,H90,ST/CER	Wamsler
125	W0013220105151	W2-90,RE,V.KIESEL,BE.ELE,H90,ST/CER	Wamsler
126	W0013220106151	W2-90,RE,V.SCHWARZ,BE.ELE,H90,ST/CER	Wamsler
127	W0013220111151	W2-90,RE,V.MARSALA,BE.ELE,H90,ST/CER	Wamsler
128	W0013220000151	W2-90,RE,WEIß,BE.ELE,H90,ST/CER	Wamsler
129	W0013220001151	W2-90,RE,MKAS,BE.ELE,H90,ST/CER	Wamsler
130	W0013220003151	W2-90,RE,ANT.M,BE.ELE,H90,ST/CER	Wamsler
131	W0013220004151	W2-90,RE,BRAUN,BE.ELE,H90,ST/CER	Wamsler
132	W0013220005151	W2-90,RE,KIESEL,BE.ELE,H90,ST/CER	Wamsler
133	W0013220006151	W2-90,RE,SCHWARZ,BE.ELE,H90,ST/CER	Wamsler
134	W0013220008151	W2-90,RE,CNS,BE.ELE,H90,ST/CER	Wamsler
135	W0013220011151	W2-90,RE,MARSALA,BE.ELE,H90,ST/CER	Wamsler
136	W0013200100161	W2-90,RE,V.WEIß,BE.FASH,H90,STAHL	Wamsler
137	W0013200101161	W2-90,RE,V.MKAS,BE.FASH,H90,STAHL	Wamsler
138	W0013200103161	W2-90,RE,V.ANT.M,BE.FASH,H90,STAHL	Wamsler
139	W0013200104161	W2-90,RE,V.BRAUN,BE.FASH,H90,STAHL	Wamsler
140	W0013200105161	W2-90,RE,V.KIESEL,BE.FASH,H90,STAHL	Wamsler
141	W0013200106161	W2-90,RE,V.SCHWARZ,BE.FASH,H90,STAHL	Wamsler
142	W0013200111161	W2-90,RE,V.MARSALA,BE.FASH,H90,STAHL	Wamsler
143	W0013200000161	W2-90,RE,WEIß,BE.FASH,H90,STAHL	Wamsler
144	W0013200001161	W2-90,RE,MKAS,BE.FASH,H90,STAHL	Wamsler
145	W0013200003161	W2-90,RE,ANT.M,BE.FASH,H90,STAHL	Wamsler
146	W0013200004161	W2-90,RE,BRAUN,BE.FASH,H90,STAHL	Wamsler
147	W0013200005161	W2-90,RE,KIESEL,BE.FASH,H90,STAHL	Wamsler
148	W0013200006161	W2-90,RE,SCHWARZ,BE.FASH,H90,STAHL	Wamsler

ERSATZTEILLISTE / PÓTALKATRÉSZ LISTA
FÜR FESTBRENNSTOFFHERD / SZILÁRDTÜZELÉSŰ TŰZHELY
TYP / TÍPUS: W2-90

Nr:	Artikel Nr:	Artikel Typ:	
149	W0013200008161	W2-90,RE,CNS,BE.FASH,H90,STAHL	Wamsler
150	W0013200011161	W2-90,RE,MARSALA,BE.FASH,H90,STAHL	Wamsler
151	W0013210100161	W2-90,RE,V.WEIB,BE.FASH,H90,CER	Wamsler
152	W0013210101161	W2-90,RE,V.MKAS,BE.FASH,H90,CER	Wamsler
153	W0013210103161	W2-90,RE,V.ANT.M,BE.FASH,H90,CER	Wamsler
154	W0013210104161	W2-90,RE,V.BRAUN,BE.FASH,H90,CER	Wamsler
155	W0013210105161	W2-90,RE,V.KIESEL,BE.FASH,H90,CER	Wamsler
156	W0013210106161	W2-90,RE,V.SCHWARZ,BE.FASH,H90,CER	Wamsler
157	W0013210111161	W2-90,RE,V.MARSALA,BE.FASH,H90,CER	Wamsler
158	W0013210000161	W2-90,RE,WEIB,BE.FASH,H90,CER	Wamsler
159	W0013210001161	W2-90,RE,MKAS,BE.FASH,H90,CER	Wamsler
160	W0013210003161	W2-90,RE,ANT.M,BE.FASH,H90,CER	Wamsler
161	W0013210004161	W2-90,RE,BRAUN,BE.FASH,H90,CER	Wamsler
162	W0013210005161	W2-90,RE,KIESEL,BE.FASH,H90,CER	Wamsler
163	W0013210006161	W2-90,RE,SCHWARZ,BE.FASH,H90,CER	Wamsler
164	W0013210008161	W2-90,RE,CNS,BE.FASH,H90,CER	Wamsler
165	W0013210011161	W2-90,RE,MARSALA,BE.FASH,H90,CER	Wamsler
166	W0013220100161	W2-90,RE,V.WEIB,BE.FASH,H90,ST/CER	Wamsler
167	W0013220101161	W2-90,RE,V.MKAS,BE.FASH,H90,ST/CER	Wamsler
168	W0013220103161	W2-90,RE,V.ANT.M,BE.FASH,H90,ST/CER	Wamsler
169	W0013220104161	W2-90,RE,V.BRAUN,BE.FASH,H90,ST/CER	Wamsler
170	W0013220105161	W2-90,RE,V.KIESEL,BE.FASH,H90,ST/CER	Wamsler
171	W0013220106161	W2-90,RE,V.SCHWARZ,BE.FASH,H90,ST/CER	Wamsler
172	W0013220111161	W2-90,RE,V.MARSALA,BE.FASH,H90,ST/CER	Wamsler
173	W0013220000161	W2-90,RE,WEIB,BE.FASH,H90,ST/CER	Wamsler
174	W0013220001161	W2-90,RE,MKAS,BE.FASH,H90,ST/CER	Wamsler
175	W0013220003161	W2-90,RE,ANT.M,BE.FASH,H90,ST/CER	Wamsler
176	W0013220004161	W2-90,RE,BRAUN,BE.FASH,H90,ST/CER	Wamsler
177	W0013220005161	W2-90,RE,KIESEL,BE.FASH,H90,ST/CER	Wamsler
178	W0013220006161	W2-90,RE,SCHWARZ,BE.FASH,H90,ST/CER	Wamsler
179	W0013220008161	W2-90,RE,CNS,BE.FASH,H90,ST/CER	Wamsler
180	W0013220011161	W2-90,RE,MARSALA,BE.FASH,H90,ST/CER	Wamsler
181	W0013201100150	W2-90,LI,V.WEIB,BE.ELE,H85,STAHL	Wamsler
182	W0013201101150	W2-90,LI,V.MKAS,BE.ELE,H85,STAHL	Wamsler
183	W0013201103150	W2-90,LI,V.ANT.M,BE.ELE,H85,STAHL	Wamsler
184	W0013201104150	W2-90,LI,V.BRAUN,BE.ELE,H85,STAHL	Wamsler
185	W0013201105150	W2-90,LI,V.KIESEL,BE.ELE,H85,STAHL	Wamsler

ERSATZTEILLISTE / PÓTALKATRÉSZ LISTA
FÜR FESTBRENNSTOFFHERD / SZILÁRDTÜZELÉSŰ TŰZHELY
TYP / TÍPUS: W2-90

Nr:	Artikel Nr:	Artikel Typ:	
186	W0013201106150	W2-90,LI,V.SCHWARZ,BE.ELE,H85,STAHL	Wamsler
187	W0013201111150	W2-90,LI,V.MARSALA,BE.ELE,H85,STAHL	Wamsler
188	W0013201000150	W2-90,LI,WEIß,BE.ELE,H85,STAHL	Wamsler
189	W0013201001150	W2-90,LI,MKAS,BE.ELE,H85,STAHL	Wamsler
190	W0013201003150	W2-90,LI,ANT.M,BE.ELE,H85,STAHL	Wamsler
191	W0013201004150	W2-90,LI,BRAUN,BE.ELE,H85,STAHL	Wamsler
192	W0013201005150	W2-90,LI,KIESEL,BE.ELE,H85,STAHL	Wamsler
193	W0013201006150	W2-90,LI,SCHWARZ,BE.ELE,H85,STAHL	Wamsler
194	W0013201008150	W2-90,LI,CNS,BE.ELE,H85,STAHL	Wamsler
195	W0013201011150	W2-90,LI,MARSALA,BE.ELE,H85,STAHL	Wamsler
196	W0013211100150	W2-90,LI,V.WEIß,BE.ELE,H85,CER	Wamsler
197	W0013211101150	W2-90,LI,V.MKAS,BE.ELE,H85,CER	Wamsler
198	W0013211103150	W2-90,LI,V.ANT.M,BE.ELE,H85,CER	Wamsler
199	W0013211104150	W2-90,LI,V.BRAUN,BE.ELE,H85,CER	Wamsler
200	W0013211105150	W2-90,LI,V.KIESEL,BE.ELE,H85,CER	Wamsler
201	W0013211106150	W2-90,LI,V.SCHWARZ,BE.ELE,H85,CER	Wamsler
202	W0013211111150	W2-90,LI,V.MARSALA,BE.ELE,H85,CER	Wamsler
203	W0013211000150	W2-90,LI,WEIß,BE.ELE,H85,CER	Wamsler
204	W0013211001150	W2-90,LI,MKAS,BE.ELE,H85,CER	Wamsler
205	W0013211003150	W2-90,LI,ANT.M,BE.ELE,H85,CER	Wamsler
206	W0013211004150	W2-90,LI,BRAUN,BE.ELE,H85,CER	Wamsler
207	W0013211005150	W2-90,LI,KIESEL,BE.ELE,H85,CER	Wamsler
208	W0013211006150	W2-90,LI,SCHWARZ,BE.ELE,H85,CER	Wamsler
209	W0013211008150	W2-90,LI,CNS,BE.ELE,H85,CER	Wamsler
210	W0013211011150	W2-90,LI,MARSALA,BE.ELE,H85,CER	Wamsler
211	W0013221100150	W2-90,LI,V.WEIß,BE.ELE,H85,ST/CER	Wamsler
212	W0013221101150	W2-90,LI,V.MKAS,BE.ELE,H85,ST/CER	Wamsler
213	W0013221103150	W2-90,LI,V.ANT.M,BE.ELE,H85,ST/CER	Wamsler
214	W0013221104150	W2-90,LI,V.BRAUN,BE.ELE,H85,ST/CER	Wamsler
215	W0013221105150	W2-90,LI,V.KIESEL,BE.ELE,H85,ST/CER	Wamsler
216	W0013221106150	W2-90,LI,V.SCHWARZ,BE.ELE,H85,ST/CER	Wamsler
217	W0013221111150	W2-90,LI,V.MARSALA,BE.ELE,H85,ST/CER	Wamsler
218	W0013221000150	W2-90,LI,WEIß,BE.ELE,H85,ST/CER	Wamsler
219	W0013221001150	W2-90,LI,MKAS,BE.ELE,H85,ST/CER	Wamsler
220	W0013221003150	W2-90,LI,ANT.M,BE.ELE,H85,ST/CER	Wamsler
221	W0013221004150	W2-90,LI,BRAUN,BE.ELE,H85,ST/CER	Wamsler
222	W0013221005150	W2-90,LI,KIESEL,BE.ELE,H85,ST/CER	Wamsler

ERSATZTEILLISTE / PÓTALKATRÉSZ LISTA
FÜR FESTBRENNSTOFFHERD / SZILÁRDTÜZELÉSŰ TŰZHELY
TYP / TÍPUS: W2-90

Nr:	Artikel Nr:	Artikel Typ:	
223	W0013221006150	W2-90,LI,SCHWARZ,BE.ELE,H85,ST/CER	Wamsler
224	W0013221008150	W2-90,LI,CNS,BE.ELE,H85,ST/CER	Wamsler
225	W0013221011150	W2-90,LI,MARSALA,BE.ELE,H85,ST/CER	Wamsler
226	W0013201100160	W2-90,LI,V.WEIB,BE.FASH,H85,STAHL	Wamsler
227	W0013201101160	W2-90,LI,V.MKAS,BE.FASH,H85,STAHL	Wamsler
228	W0013201103160	W2-90,LI,V.ANT.M,BE.FASH,H85,STAHL	Wamsler
229	W0013201104160	W2-90,LI,V.BRAUN,BE.FASH,H85,STAHL	Wamsler
230	W0013201105160	W2-90,LI,V.KIESEL,BE.FASH,H85,STAHL	Wamsler
231	W0013201106160	W2-90,LI,V.SCHWARZ,BE.FASH,H85,STAHL	Wamsler
232	W0013201111160	W2-90,LI,V.MARSALA,BE.FASH,H85,STAHL	Wamsler
233	W0013201000160	W2-90,LI,WEIB,BE.FASH,H85,STAHL	Wamsler
234	W0013201001160	W2-90,LI,MKAS,BE.FASH,H85,STAHL	Wamsler
235	W0013201003160	W2-90,LI,ANT.M,BE.FASH,H85,STAHL	Wamsler
236	W0013201004160	W2-90,LI,BRAUN,BE.FASH,H85,STAHL	Wamsler
237	W0013201005160	W2-90,LI,KIESEL,BE.FASH,H85,STAHL	Wamsler
238	W0013201006160	W2-90,LI,SCHWARZ,BE.FASH,H85,STAHL	Wamsler
239	W0013201008160	W2-90,LI,CNS,BE.FASH,H85,STAHL	Wamsler
240	W0013201011160	W2-90,LI,MARSALA,BE.FASH,H85,STAHL	Wamsler
241	W0013211100160	W2-90,LI,V.WEIB,BE.FASH,H85,CER	Wamsler
242	W0013211101160	W2-90,LI,V.MKAS,BE.FASH,H85,CER	Wamsler
243	W0013211103160	W2-90,LI,V.ANT.M,BE.FASH,H85,CER	Wamsler
244	W0013211104160	W2-90,LI,V.BRAUN,BE.FASH,H85,CER	Wamsler
245	W0013211105160	W2-90,LI,V.KIESEL,BE.FASH,H85,CER	Wamsler
246	W0013211106160	W2-90,LI,V.SCHWARZ,BE.FASH,H85,CER	Wamsler
247	W0013211111160	W2-90,LI,V.MARSALA,BE.FASH,H85,CER	Wamsler
248	W0013211000160	W2-90,LI,WEIB,BE.FASH,H85,CER	Wamsler
249	W0013211001160	W2-90,LI,MKAS,BE.FASH,H85,CER	Wamsler
250	W0013211003160	W2-90,LI,ANT.M,BE.FASH,H85,CER	Wamsler
251	W0013211004160	W2-90,LI,BRAUN,BE.FASH,H85,CER	Wamsler
252	W0013211005160	W2-90,LI,KIESEL,BE.FASH,H85,CER	Wamsler
253	W0013211006160	W2-90,LI,SCHWARZ,BE.FASH,H85,CER	Wamsler
254	W0013211008160	W2-90,LI,CNS,BE.FASH,H85,CER	Wamsler
255	W0013211011160	W2-90,LI,MARSALA,BE.FASH,H85,CER	Wamsler
256	W0013221100160	W2-90,LI,V.WEIB,BE.FASH,H85,ST/CER	Wamsler
257	W0013221101160	W2-90,LI,V.MKAS,BE.FASH,H85,ST/CER	Wamsler
258	W0013221103160	W2-90,LI,V.ANT.M,BE.FASH,H85,ST/CER	Wamsler
259	W0013221104160	W2-90,LI,V.BRAUN,BE.FASH,H85,ST/CER	Wamsler

ERSATZTEILLISTE / PÓTALKATRÉSZ LISTA
FÜR FESTBRENNSTOFFHERD / SZILÁRDTÜZELÉSŰ TŰZHELY
TYP / TÍPUS: W2-90

Nr:	Artikel Nr:	Artikel Typ:	
260	W0013221105160	W2-90,LI,V.KIESEL,BE.FASH,H85,ST/CER	Wamsler
261	W0013221106160	W2-90,LI,V.SCHWARZ,BE.FASH,H85,ST/CER	Wamsler
262	W0013221111160	W2-90,LI,V.MARSALA,BE.FASH,H85,ST/CER	Wamsler
263	W0013221000160	W2-90,LI,WEIß,BE.FASH,H85,ST/CER	Wamsler
264	W0013221001160	W2-90,LI,MKAS,BE.FASH,H85,ST/CER	Wamsler
265	W0013221003160	W2-90,LI,ANT.M,BE.FASH,H85,ST/CER	Wamsler
266	W0013221004160	W2-90,LI,BRAUN,BE.FASH,H85,ST/CER	Wamsler
267	W0013221005160	W2-90,LI,KIESEL,BE.FASH,H85,ST/CER	Wamsler
268	W0013221006160	W2-90,LI,SCHWARZ,BE.FASH,H85,ST/CER	Wamsler
269	W0013221008160	W2-90,LI,CNS,BE.FASH,H85,ST/CER	Wamsler
270	W0013221011160	W2-90,LI,MARSALA,BE.FASH,H85,ST/CER	Wamsler
271	W0013201100151	W2-90,LI,V.WEIß,BE.ELE,H90,STAHL	Wamsler
272	W0013201101151	W2-90,LI,V.MKAS,BE.ELE,H90,STAHL	Wamsler
273	W0013201103151	W2-90,LI,V.ANT.M,BE.ELE,H90,STAHL	Wamsler
274	W0013201104151	W2-90,LI,V.BRAUN,BE.ELE,H90,STAHL	Wamsler
275	W0013201105151	W2-90,LI,V.KIESEL,BE.ELE,H90,STAHL	Wamsler
276	W0013201106151	W2-90,LI,V.SCHWARZ,BE.ELE,H90,STAHL	Wamsler
277	W0013201111151	W2-90,LI,V.MARSALA,BE.ELE,H90,STAHL	Wamsler
278	W0013201000151	W2-90,LI,WEIß,BE.ELE,H90,STAHL	Wamsler
279	W0013201001151	W2-90,LI,MKAS,BE.ELE,H90,STAHL	Wamsler
280	W0013201003151	W2-90,LI,ANT.M,BE.ELE,H90,STAHL	Wamsler
281	W0013201004151	W2-90,LI,BRAUN,BE.ELE,H90,STAHL	Wamsler
282	W0013201005151	W2-90,LI,KIESEL,BE.ELE,H90,STAHL	Wamsler
283	W0013201006151	W2-90,LI,SCHWARZ,BE.ELE,H90,STAHL	Wamsler
284	W0013201008151	W2-90,LI,CNS,BE.ELE,H90,STAHL	Wamsler
285	W0013201011151	W2-90,LI,MARSALA,BE.ELE,H90,STAHL	Wamsler
286	W0013211100151	W2-90,LI,V.WEIß,BE.ELE,H90,CER	Wamsler
287	W0013211101151	W2-90,LI,V.MKAS,BE.ELE,H90,CER	Wamsler
288	W0013211103151	W2-90,LI,V.ANT.M,BE.ELE,H90,CER	Wamsler
289	W0013211104151	W2-90,LI,V.BRAUN,BE.ELE,H90,CER	Wamsler
290	W0013211105151	W2-90,LI,V.KIESEL,BE.ELE,H90,CER	Wamsler
291	W0013211106151	W2-90,LI,V.SCHWARZ,BE.ELE,H90,CER	Wamsler
292	W0013211111151	W2-90,LI,V.MARSALA,BE.ELE,H90,CER	Wamsler
293	W0013211000151	W2-90,LI,WEIß,BE.ELE,H90,CER	Wamsler
294	W0013211001151	W2-90,LI,MKAS,BE.ELE,H90,CER	Wamsler
295	W0013211003151	W2-90,LI,ANT.M,BE.ELE,H90,CER	Wamsler
296	W0013211004151	W2-90,LI,BRAUN,BE.ELE,H90,CER	Wamsler

ERSATZTEILLISTE / PÓTALKATRÉSZ LISTA
FÜR FESTBRENNSTOFFHERD / SZILÁRDTÜZELÉSŰ TŰZHELY
TYP / TÍPUS: W2-90

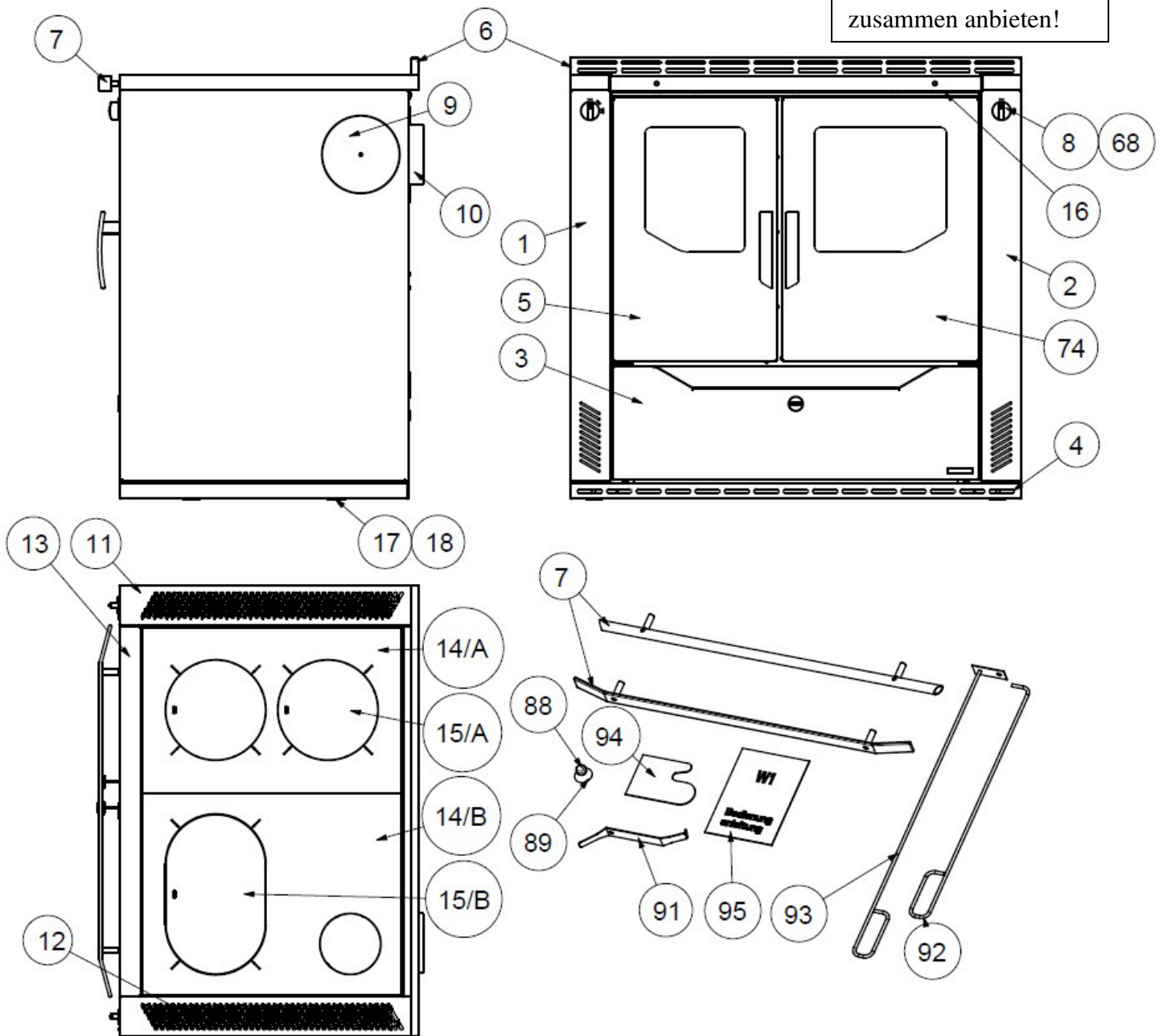
Nr:	Artikel Nr:	Artikel Typ:	
297	W0013211005151	W2-90,LI,KIESEL,BE.ELE,H90,CER	Wamsler
298	W0013211006151	W2-90,LI,SCHWARZ,BE.ELE,H90,CER	Wamsler
299	W0013211008151	W2-90,LI,CNS,BE.ELE,H90,CER	Wamsler
300	W0013211011151	W2-90,LI,MARSALA,BE.ELE,H90,CER	Wamsler
301	W0013221100151	W2-90,LI,V.WEIß,BE.ELE,H90,ST/CER	Wamsler
302	W0013221101151	W2-90,LI,V.MKAS,BE.ELE,H90,ST/CER	Wamsler
303	W0013221103151	W2-90,LI,V.ANT.M,BE.ELE,H90,ST/CER	Wamsler
304	W0013221104151	W2-90,LI,V.BRAUN,BE.ELE,H90,ST/CER	Wamsler
305	W0013221105151	W2-90,LI,V.KIESEL,BE.ELE,H90,ST/CER	Wamsler
306	W0013221106151	W2-90,LI,V.SCHWARZ,BE.ELE,H90,ST/CER	Wamsler
307	W0013221111151	W2-90,LI,V.MARSALA,BE.ELE,H90,ST/CER	Wamsler
308	W0013221000151	W2-90,LI,WEIß,BE.ELE,H90,ST/CER	Wamsler
309	W0013221001151	W2-90,LI,MKAS,BE.ELE,H90,ST/CER	Wamsler
310	W0013221003151	W2-90,LI,ANT.M,BE.ELE,H90,ST/CER	Wamsler
311	W0013221004151	W2-90,LI,BRAUN,BE.ELE,H90,ST/CER	Wamsler
312	W0013221005151	W2-90,LI,KIESEL,BE.ELE,H90,ST/CER	Wamsler
313	W0013221006151	W2-90,LI,SCHWARZ,BE.ELE,H90,ST/CER	Wamsler
314	W0013221008151	W2-90,LI,CNS,BE.ELE,H90,ST/CER	Wamsler
315	W0013221011151	W2-90,LI,MARSALA,BE.ELE,H90,ST/CER	Wamsler
316	W0013201100161	W2-90,LI,V.WEIß,BE.FASH,H90,STAHL	Wamsler
317	W0013201101161	W2-90,LI,V.MKAS,BE.FASH,H90,STAHL	Wamsler
318	W0013201103161	W2-90,LI,V.ANT.M,BE.FASH,H90,STAHL	Wamsler
319	W0013201104161	W2-90,LI,V.BRAUN,BE.FASH,H90,STAHL	Wamsler
320	W0013201105161	W2-90,LI,V.KIESEL,BE.FASH,H90,STAHL	Wamsler
321	W0013201106161	W2-90,LI,V.SCHWARZ,BE.FASH,H90,STAHL	Wamsler
322	W0013201111161	W2-90,LI,V.MARSALA,BE.FASH,H90,STAHL	Wamsler
323	W0013201000161	W2-90,LI,WEIß,BE.FASH,H90,STAHL	Wamsler
324	W0013201001161	W2-90,LI,MKAS,BE.FASH,H90,STAHL	Wamsler
325	W0013201003161	W2-90,LI,ANT.M,BE.FASH,H90,STAHL	Wamsler
326	W0013201004161	W2-90,LI,BRAUN,BE.FASH,H90,STAHL	Wamsler
327	W0013201005161	W2-90,LI,KIESEL,BE.FASH,H90,STAHL	Wamsler
328	W0013201006161	W2-90,LI,SCHWARZ,BE.FASH,H90,STAHL	Wamsler
329	W0013201008161	W2-90,LI,CNS,BE.FASH,H90,STAHL	Wamsler
330	W0013201011161	W2-90,LI,MARSALA,BE.FASH,H90,STAHL	Wamsler
331	W0013211100161	W2-90,LI,V.WEIß,BE.FASH,H90,CER	Wamsler
332	W0013211101161	W2-90,LI,V.MKAS,BE.FASH,H90,CER	Wamsler
333	W0013211103161	W2-90,LI,V.ANT.M,BE.FASH,H90,CER	Wamsler

ERSATZTEILLISTE / PÓTALKATRÉSZ LISTA
FÜR FESTBRENNSTOFFHERD / SZILÁRDTÜZELÉSŰ TŰZHELY
TYP / TÍPUS: W2-90

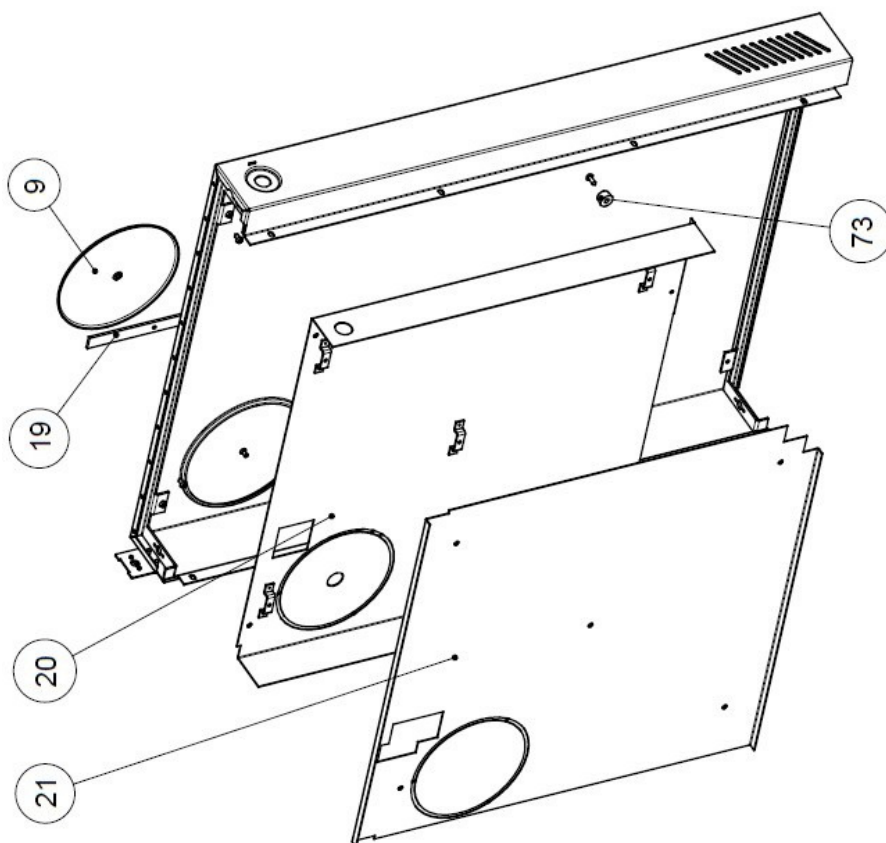
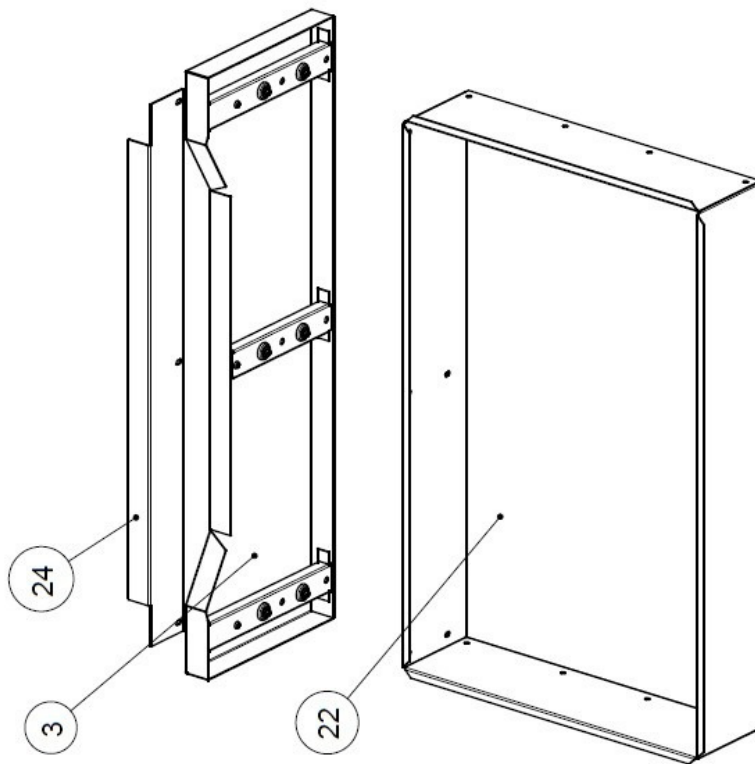
Nr:	Artikel Nr:	Artikel Typ:	
334	W0013211104161	W2-90,LI,V.BRAUN,BE.FASH,H90,CER	Wamsler
335	W0013211105161	W2-90,LI,V.KIESEL,BE.FASH,H90,CER	Wamsler
336	W0013211106161	W2-90,LI,V.SCHWARZ,BE.FASH,H90,CER	Wamsler
337	W0013211111161	W2-90,LI,V.MARSALA,BE.FASH,H90,CER	Wamsler
338	W0013211000161	W2-90,LI,WEIß,BE.FASH,H90,CER	Wamsler
339	W0013211001161	W2-90,LI,MKAS,BE.FASH,H90,CER	Wamsler
340	W0013211003161	W2-90,LI,ANT.M,BE.FASH,H90,CER	Wamsler
341	W0013211004161	W2-90,LI,BRAUN,BE.FASH,H90,CER	Wamsler
342	W0013211005161	W2-90,LI,KIESEL,BE.FASH,H90,CER	Wamsler
343	W0013211006161	W2-90,LI,SCHWARZ,BE.FASH,H90,CER	Wamsler
344	W0013211008161	W2-90,LI,CNS,BE.FASH,H90,CER	Wamsler
345	W0013211011161	W2-90,LI,MARSALA,BE.FASH,H90,CER	Wamsler
346	W0013221100161	W2-90,LI,V.WEIß,BE.FASH,H90,ST/CER	Wamsler
347	W0013221101161	W2-90,LI,V.MKAS,BE.FASH,H90,ST/CER	Wamsler
348	W0013221103161	W2-90,LI,V.ANT.M,BE.FASH,H90,ST/CER	Wamsler
349	W0013221104161	W2-90,LI,V.BRAUN,BE.FASH,H90,ST/CER	Wamsler
350	W0013221105161	W2-90,LI,V.KIESEL,BE.FASH,H90,ST/CER	Wamsler
351	W0013221106161	W2-90,LI,V.SCHWARZ,BE.FASH,H90,ST/CER	Wamsler
352	W0013221111161	W2-90,LI,V.MARSALA,BE.FASH,H90,ST/CER	Wamsler
353	W0013221000161	W2-90,LI,WEIß,BE.FASH,H90,ST/CER	Wamsler
354	W0013221001161	W2-90,LI,MKAS,BE.FASH,H90,ST/CER	Wamsler
355	W0013221003161	W2-90,LI,ANT.M,BE.FASH,H90,ST/CER	Wamsler
356	W0013221004161	W2-90,LI,BRAUN,BE.FASH,H90,ST/CER	Wamsler
357	W0013221005161	W2-90,LI,KIESEL,BE.FASH,H90,ST/CER	Wamsler
358	W0013221006161	W2-90,LI,SCHWARZ,BE.FASH,H90,ST/CER	Wamsler
359	W0013221008161	W2-90,LI,CNS,BE.FASH,H90,ST/CER	Wamsler
360	W0013221011161	W2-90,LI,MARSALA,BE.FASH,H90,ST/CER	Wamsler

ERSATZTEILLISTE / PÓTALKATRÉSZ LISTA
 FÜR FESTBRENNSTOFFHERD / SZILÁRDTÜZELÉSŰ TŰZHELYHEZ
 TYP / TÍPUS: W2-90

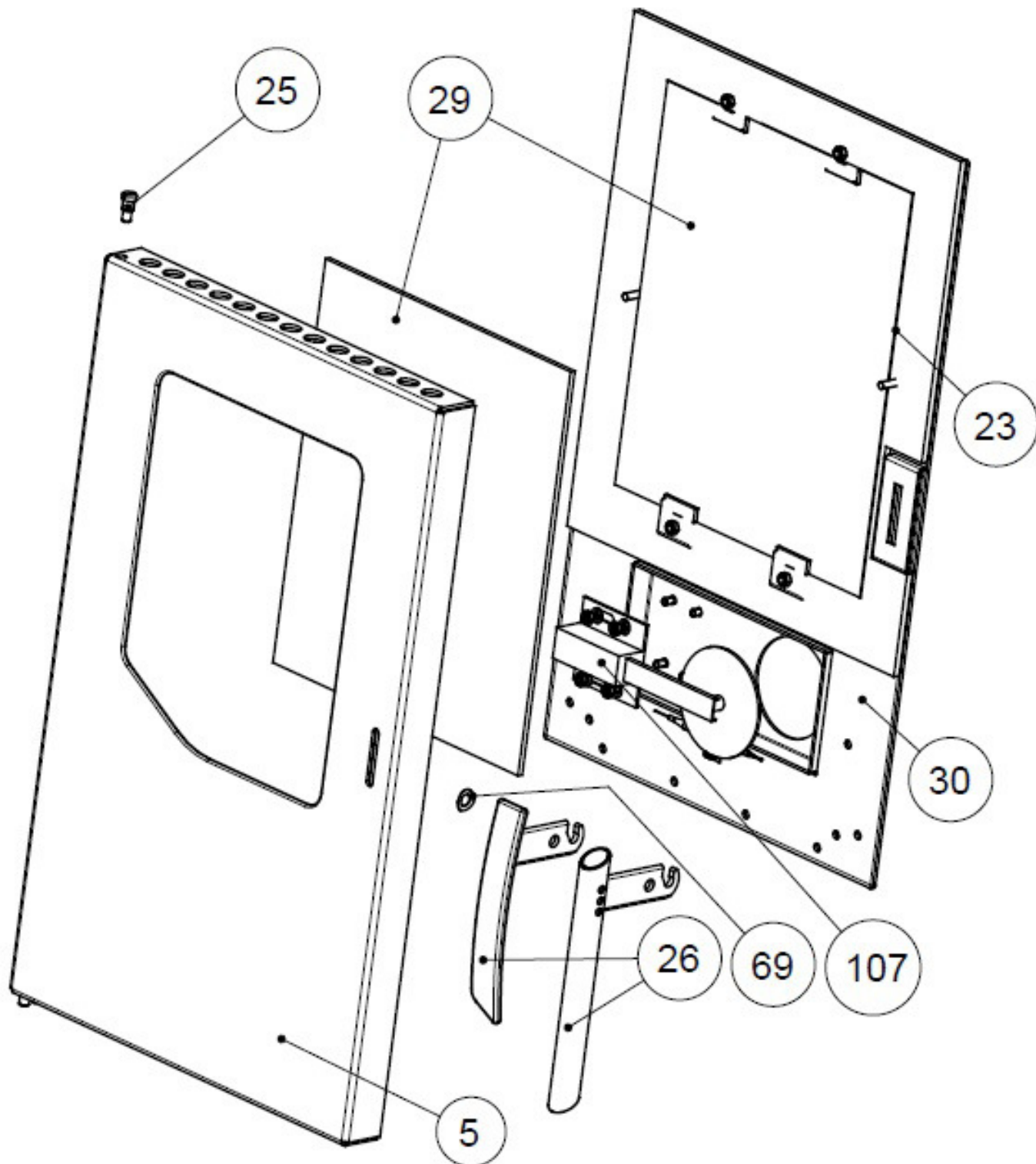
Nr. 8 + 68 immer
 zusammen anbieten!



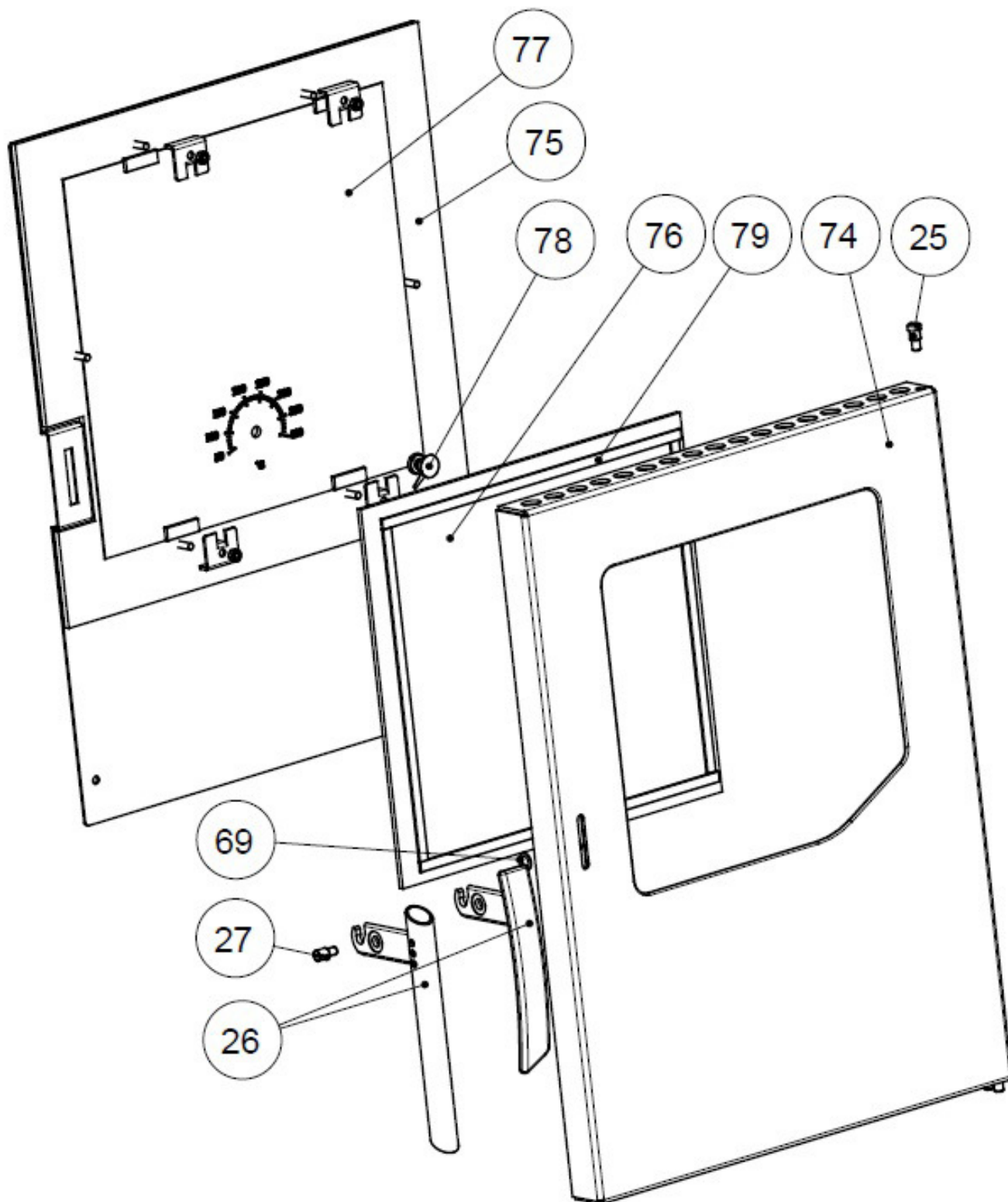
ERSATZTEILLISTE / PÓTALKATRÉSZ LISTA
FÜR FESTBRENNSTOFFHERD / SZILÁRDTŰZELÉSŰ TŰZHELYHEZ
TYP / TÍPUS: W2-90



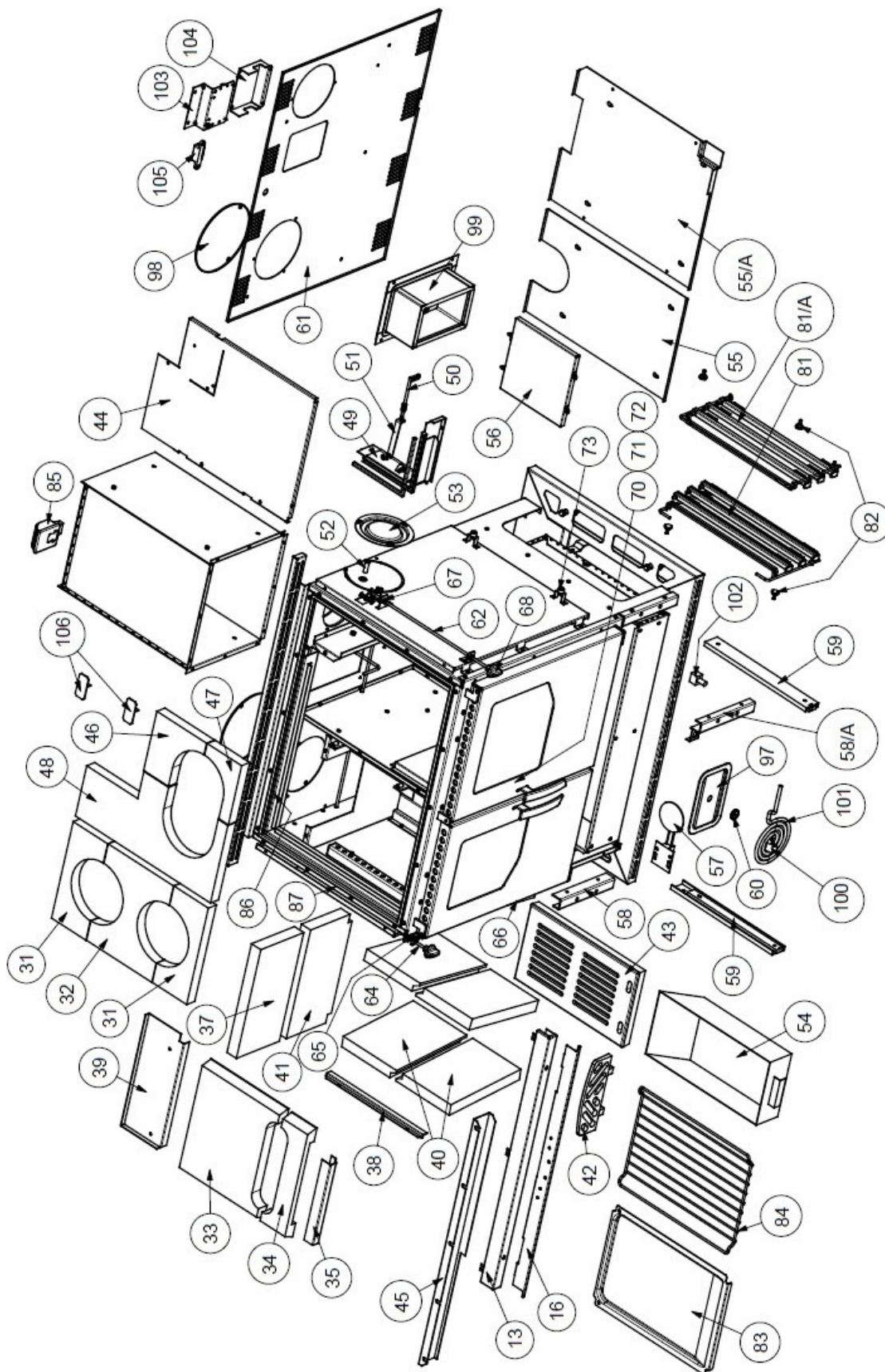
ERSATZTEILLISTE / PÓTALKATRÉSZ LISTA
FÜR FESTBRENNSTOFFHERD / SZILÁRDTŰZELÉSŰ TŰZHELYHEZ
TYP / TÍPUS: W2-90



ERSATZTEILLISTE / PÓTALKATRÉSZ LISTA
FÜR FESTBRENNSTOFFHERD / SZILÁRDTÜZELÉSŰ TŰZHELYHEZ
TYP / TÍPUS: 21-90



ERSATZTEILLISTE / PÓTALKATRÉSZ LISTA
 FÜR FESTBRENNSTOFFHERD / SZILÁRDTÜZELÉSŰ TŰZHELYHEZ
 TYP / TÍPUS: W2-90



WAMSLER

POS. Ssz.	ARTIKELBEZEICHNUNG MEGNEVEZES		ARTIKEL-NR. KÓDSZÁM	PREIS- GRUPPE	TYP(EN) TIPUS(OK)
1	SEITENWAND LI.EM.WEISS O.LOCH W2/90R	W	132711801	HB	1,8,16,23,31,38,46,53,61,68,76,83,91, 98,106,113,121,128,136,143,151 158,166,173,
1	OLDALFAL B ZOM FEH SZIT (W2/90J)	sap	W5013111180195		
1	SEITENWAND LI.EM.KASCHMIR O.LOCH. W2/90R	W	132711811	HB	2,9,17,24,32,39,47,54,62,69,77,84,92, 99,107,114,122,129,137,144,152,159 167,174
1	OLDALFAL B ZOM KASMIR SZIT (W2/90J)	sap	W5013111181195		
1	SEITENWAND LI.EM.ANTMET O.LOCH. W2/90R	W	132711831	HB	3,10,18,25,33,40,48,55,63,70,78,85,93 100,108,115,123,130,138,145,153,160 168,175
1	OLDALFAL B ZOM ANTMET SZIT (W2/90J)	sap	W5013111183195		
1	SEITENWAND LI.EM.BRAUN O.LOCH W2/90R	W	132711841	HB	4,11,19,26,34,41,49,56,64,71,79,86,94 101,109,116,124,131,139,146,154,161, 169,176
1	OLDALFAL B ZOM BARNA SZIT (W2/90J)	sap	W5013111184195		
1	SEITENWAND LI.EM.KIESEL O.LOCH. W2/90J	W	132711851	HB	5,12,20,27,35,42,50,57,65,72,80,87,95 102,110,117,125,132,140,147,155,162 170,177
1	OLDALFAL B ZOM KAVICS SZIT (W2/90J)	sap	W5013111185195		
1	SEITENWAND LI.EM.SCHWARZ O.LOCH. W2/90R	W	132711861	HB	6,13,21,28,36,43,51,58,66,73,81,88,96 103,111,118,126,133,141,148,156,163 171,178
1	OLDALFAL B ZOM FEKETE SZIT (W2/90J)	sap	W5013111186195		
1	SEITENWAND LI.EM.MARSALA O.LOCH. M.SIEBDRUCK W1/90L	W	132711891	HB	7,15,22,30,37,45,52,60,67,75,82,90,97, 105,112,120,127,135,142,150,157,165, 172,18
1	OLDALFAL ZOM BAL FCSNY NÉLKÜL MARSALA SZITÁZOTT	sap	W5013111189195		
1	SEITENWAND LI.CNS SIEBDR. O.LOCH. W2/90R	W	132714101	HB	14,29,44,59,74,89,104,119,134,149,164 179
1	OLDALFAL B CNS HEG SZIT (W2/90J)	sap	W5013111410194		
1	SEITENWAND LI.EM.WEISS M.LOCH. W2/90LI	W	132711903	HB	181,188,196,203,211,218,226,233 241,248,256,263,271,278,286,293,301 308,316,323,331,338,346,353
1	OLDALFAL B ZOM FEH SZIT FCSNY (W2/90B)	sap	W5013111190395		
1	SEITENWAND LI.EM.KASCHMIR M.LOCH. W2/90L	W	132711913	HB	182,189,197,204,212,219,227,234,242 249,257,264,272,279,287,294,302,309 317,324,332,339,347,354
1	OLDALFAL B ZOM KASMIR SZIT FCSNY(W2/90B)	sap	W5013111191395		
1	SEITENWAND LI.EM.ANTMET M.LOCH. W2/90L	W	132711833	HB	183,190,198,205,213,220,228,235,243, 250,258,265,273,280,288,295,303,310 318,325,333,340,348,355
1	OLDALFAL B ZOM ANTMET SZIT FCSNY (W2/90B)	sap	W5013111183395		
1	SEITENWAND LI.EM.BRAUN M.LOCH. W2/90L	W	132711943	HB	184,191,199,206,214,221,229,236,244 251,259,266,274,281,289,296,304,311 319,326,334,341,349,356
1	OLDALFAL B ZOM BARNA SZIT FCSNY (W2/90B)	sap	W5013111194395		
1	SEITENWAND LI.EM KIESEL M.LOCH.W2/90LI	W	132711953	HB	185,192,200,207,215,222,230,237,245 252,260,267,275,282,290,297,305,312 320,327,335,342,350,357
1	OLDALFAL B ZOM KAVICS SZIT FCSNY(W2/90B)	sap	W5013111195395		
1	SEITENWAND LI.EM.SCHWARZ M.LOCH. W2/90LI	W	132711963	HB	186,193,201,208,216,223,231,238,246 253,261,268,276,283,291,298,306,313 321,328,336,343,351,358
1	OLDALFAL B ZOM FEKETE SZIT FCSNY (W2/90B)	sap	W5013111196395		
1	SEITENWAND LI.EM.MARSALA M.LOCH W2/90L	W	132711993	HB	187,195,202,210,217,225,232,240,247, 255,262,270,277,285,292,300,307,315 322,330,337,345,352,360
1	OLDALFAL B ZOM MARSALA SZIT FCSNY(W2/90B)	sap	W5013111199395		

WAMSLER

POS. Ssz.	ARTIKELBEZEICHNUNG MEGNEVEZES		ARTIKEL-NR. KÓDSZÁM	PREIS- GRUPPE	TYP(EN) TIPUS(OK)
1	SEITENWAND LI.CNS M.LOCH. W2/90LI	W	132714201	HB	194,209,224,239,254,269,284,299,314 329,344,
1	OLDALFAL B CNS HEG SZIT FCSNY (W2/90B)	sap	W5013111420194		
2	SEITENWAND RE.EM.WEISS O.LOCH W2/90L	W	132711800	HB	181,188,196,203,211,218,226,233 241,248,256,263,271,278,286,293,301 308,316,323,331,338,346,353
2	OLDALFAL J ZOM FEH SZIT (W2/90B)	sap	W5013111180095		
2	SEITENWAND RE.EM.KASCHMIR O.LOCH W2/90L	W	132711810	HB	182,189,197,204,212,219,227,234,242 249,257,264,272,279,287,294,302,309 317,324,332,339,347,354
2	OLDALFAL J ZOM KASMIR SZIT (W2/90B)	sap	W5013111181095		
2	SEITENWAND RE.EM.ANTMET O.LOCH. W2/90L	W	132711830	HB	183,190,198,205,213,220,228,235,243, 250,258,265,273,280,288,295,303,310 318,325,333,340,348,355
2	OLDALFAL J ZOM ANTMET SZIT (W2/90B)	sap	W5013111183095		
2	SEITENWAND RE.EM.BRAUN O.LOCH. M.SIEBDRUCK W1/90L	W	132711840	HB	184,191,199,206,214,221,229,236,244 251,259,266,274,281,289,296,304,311 319,326,334,341,349,356
2	OLDALFAL ZOM JOBB FCSNY NÉLKÜL BARNÁ SZITÁZOTT	sap	W5013111184095		
2	SEITENWAND RE.EM.KIESEL O.LOCH W2/90LI	W	132711850	HB	185,192,200,207,215,222,230,237,245 252,260,267,275,282,290,297,305,312 320,327,335,342,350,357
2	OLDALFAL J ZOM KAVICS SZIT (W2/90B)	sap	W5013111185095		
2	SEITENWAND RE.EM.SCHWARZ O.LOCH. W2/90L	W	132711860	HB	186,193,201,208,216,223,231,238,246 253,261,268,276,283,291,298,306,313 321,328,336,343,351,358
2	OLDALFAL J ZOM FEKETE SZIT (W2/90B)	sap	W5013111186095		
2	SEITENWAND RE.MARSALA O.LOCH. M.SIEBDRUCK W1/90L	W	132711890	HB	187,195,202,210,217,225,232,240,247, 255,262,270,277,285,292,300,307,315 322,330,337,345,352,360
2	OLDALFAL JOBB MARSALA FCSNY NÉLKÜL SZITÁZOTT	sap	W5013111189095		
2	SEITENWAND RE.CNS OHNE.LOCH. W2/90LI	W	132714100	HB	194,209,224,239,254,269,284,299,314 329,344,
2	OLDALFAL J CNS HEG SZIT (W2/90B)	sap	W5013111410094		
2	SEITENWAND RE.EM.WEISS M.LOCH.W2/50-90R	W	152711902	HB	1,8,16,23,31,38,46,53,61,68,76,83,91, 98,106,113,121,128,136,143,151 158,166,173,
2	OLDALFAL J ZOM FEH SZIT FCSNY(W2/50-90J)	sap	W5013111190295		
2	SEITENWAND RE.KASCHMIR M.LOCH.W2/50-90R	W	152711912	HB	2,9,17,24,32,39,47,54,62,69,77,84,92, 99,107,114,122,129,137,144,152,159 167,174
2	OLDALFAL J ZOM KASMIR SZIT FCS(W2/50-90J)	sap	W5013111191295		
2	SEITENWAND RE.EM.ANTMET M.LOCH.W2/50-90R	W	152711832	HB	3,10,18,25,33,40,48,55,63,70,78,85,93 100,108,115,123,130,138,145,153,160 168,175
2	OLDALFAL J ZOM ANTMET SZIT FCS(W2/50-90J)	sap	W5013111183295		
2	SEITENWAND RE.EM.BRAUN M.LOCH. M.SIEBDRUCK W1/50-90R	W	152711942	HB	4,11,19,26,34,41,49,56,64,71,79,86,94 101,109,116,124,131,139,146,154,161, 169,176
2	OLDALFAL ZOM JOBB FCSNY BARNÁ SZITÁZOTT	sap	W5013111194295		
2	SEITENWAND RE.EM.KIESEL M.LOCH.W2/50-90R	W	152711952	HB	5,12,20,27,35,42,50,57,65,72,80,87,95 102,110,117,125,132,140,147,155,162 170,177
2	OLDALFAL J ZOM KAVICS SZIT FCS(W2/50-90J)	sap	W5013111195295		
2	SEITENWAND RE.EM.SCHWAZ M.LOCH W2/50-90R	W	131711962	HB	6,13,21,28,36,43,51,58,66,73,81,88,96 103,111,118,126,133,141,148,156,163 171,178
2	OLDALFAL J ZOM FEKETE SZIT FCS(W2/50-90J)	sap	W5013111196295		

WAMSLER

POS. Ssz.	ARTIKELBEZEICHNUNG MEGNEVEZES		ARTIKEL-NR. KÓDSZÁM	PREIS- GRUPPE	TYP(EN) TIPUS(OK)
2	SEITENWAND RE.MARSALA M.LOCH. W2/50-90R	W	152711992	HB	7,15,22,30,37,45,52,60,67,75,82,90,97, 105,112,120,127,135,142,150,157,165, 172,18
2	OLDALFAL J ZOM MARSZA SZIT FCS (W2/50-90J)	sap	W5013111199295		
2	SEITENWAND RE.CNS M.LOCH.W2/50-90R	W	152714200	HB	14,29,44,59,74,89,104,119,134,149,164 179
2	OLDALFAL J CNS HEG SZIT FCSNY(W2/50-90J)	sap	W5013111420094		
3	BLLENDE F.KOHLEWAGEN EM.WEISS W2/90	W	132712200	BB	1,8,16,23,31,38,46,53,61,68,76,83,91, 98,106,113,121,128,136,143,151,158 166,173,181,188,196,203,211,218 218,226,233,241,248,256,263,271,278 286,293,301,308,316,323,331,338,346,353
3	FIÓKBURKOLAT ZOM FEHÉR (W2/90)	sap	W5013111220095		
3	BLLENDE F.KOHLEWAGEN EM.MKASCHMIR W2/90	W	132712210	BB	ALLE MATT KAS.TYP.
3	FIÓKBURKOLAT ZOM MATTKASMÍR (W2/90)	sap	W5013111221095		
3	BLLENDE F.KOHLEWAGEN EM.ANTMET. W2/90	W	132712230	BB	ALLE ANTR.TYP
3	FIÓKBURKOLAT ZOM ANTRAZIT METÁL (W2/90)	sap	W5013111223095		
3	BLLENDE F.KOHLEWAGEN EM.BRAUN (W2/90)	W	132712240	BB	ALLE BRAUN TYP
3	FIÓKBURKOLAT ZOM BARNA (W2/90)	sap	W5013111224095		
3	BLLENDE F.KOHLEWAGEN EM. KIESELW2/90	W	132712250	BB	ALLE KIESEL TYP
3	FIÓKBURKOLAT ZOM KAVICS (W2/90)	sap	W5013111225095		
3	BLLENDE F.KOHLEWAGEN EM.SCHWARZ W2/90	W	132712260	BB	ALLE SCHWARZ TYP
3	FIÓKBURKOLAT ZOM FEKETE (W2/90)	sap	W5013111226095		
3	BLLENDE F.KOHLEWAGEN EM.MARSALA W2/90	W	132712290	BB	ALLE MARSALA TYP
3	FIÓKBURKOLAT ZOM MARSALA (W2/90)	sap	W5013111229095		
3	KOHLEWAGEN BLENDE CNS GESHW. (W2-90)	W	132712280	BB	ALLE CNS TYP
3	FIÓKBURKOLAT HEG CNS (W2/90)	sap	W5013111228096		
4	SOCKELRAHMEN 2 CNS H=30cm LINKS W1/90L	W	131710603	MB	ALLE 850 MM TYP
4	LÁBAZATK 2 B FIÓKSÍN H=30cm KÉSZ W1/90B	sap	W5013110062196		
4	SOCKELRAHMEN 2 CNS H=30cm RE W1/2/90R	W	131710602	MB	ALLE 850 MM TYP
4	LÁBAZATK 2 J FIÓKS H=30CM KÉSZ W1/2/90J	sap	W5013110062096		
4	SOCKELRAHMEN 2 CNS H=80cm LINKS W1/2/90R	W	131710403	QB	ALLE 900 MM TYP
4	LÁBAZATK 2 B FIÓKSIN H=80cmKÉSZ W1/2/90B	sap	W5013110403196		
4	SOCKELRAHMEN 2 CNS H=80cm RE W1/2/90R	W	131710402	QB	ALLE 900 MM TYP
4	LÁBAZATK 2 J FIÓKS H=80cm KÉSZ W1/2/90J	sap	W5013110060196		
5	BLLENDE F.HEIZTÜR EM.MATTSCHWAZ W2/50-90R	W	152712664	BB	ALLE RE TYPEN OHNE V.
5	TUZ.AJTO KÜL.BURK ZOM MATFEK J W2/50-90J	sap	W5013111266495		

WAMSLER

POS. Ssz.	ARTIKELBEZEICHNUNG MEGNEVEZES		ARTIKEL-NR. KÓDSZÁM	PREIS- GRUPPE	TYP(EN) TIPUS(OK)
5	BLLENDE F.HEIZTÜR EM.WEISS W2/50-90R	W	152712600	BB	ALLE RE V.WEISS TYP
5	TÜZ.AJTÓ KÜL.BURK ZOM FEHÉR J W2/50-90J	sap	W5013111260095		
5	BLLENDE F.HEIZTÜR EM.MKASCHMIR W2/50-90R	W	152712610	BB	ALLE RE KASCHMIR TYP
5	TÜZ.AJTÓ KÜL.BURK ZOM KASMIR J(W2/50-90J	sap	W5013111261095		
5	BLLENDE F.HEIZTÜR EM.ANT MET W2/50-90R	W	152712630	BB	ALLE RE. V.ANTHRAZIT TYP
5	TÜZ.AJTÓ KÜL.BURK ZOM ANTMET J(W2/50-90J	sap	W5013111263095		
5	BLLENDE F.HEIZTÜR EM.BRAUN W2/50-90R	W	152712640	BB	ALLE RE. V.BRAUN TYP
5	TÜZ.AJTÓ KÜL.BURK ZOM BARNA J(W2/50-90J)	sap	W5013111264095		
5	BLLENDE F.HEIZTÜR EM.KIESEL W2/50-90R	W	152712650	BB	ALLE RE. V.KIESEL TYP
5	TÜZ.AJTÓ KÜL.BURK ZOM KAVICS J(W2/50-90J	sap	W5013111265095		
5	BLLENDE F.HEIZTÜR EM.SCHWARZ W2/50-90R	W	152712660	BB	ALLE RE. V.SCHWARZ TYP
5	TÜZ.AJTÓ KÜL.BURK ZOM FEKETE J(W2/50-90J	sap	W5013111266095		
5	BLLENDE F.HEIZTÜR EM. MARSALA W1/50-90R	W	152712690	BB	ALLE RE.V.MARSALA TYP
5	TÜZ.AJTÓ KÜL.BURK ZOM MARSALA J W1/50-90J	sap	W5013111269095		
5	BLLENDE F.HEIZTÜR EM.MATTSCHWAZ LI W2/90L	W	132712665	BB	ALLE LI TYPEN OHNE V.
5	TÜZ.AJTÓ KÜL.BURK ZOM MATTFEK B (W2/90B)	sap	W5013111266595		
5	BLLENDE F.HEIZTÜR EM.WEIB LI W2/90L	W	132712601	BB	ALLE LI. V.WEISS TYP
5	TÜZ.AJTÓ KÜL.BURK ZOM FEH B (W2/90B)	sap	W5013111260195		
5	BLLENDE F.HEIZTÜR EM.MKASCHMIR LI W2/90L	W	132712611	BB	ALLE LI V.KASCHMIR TYP
5	TÜZ.AJTÓ KÜL.BURK ZOM MKASMIR B (W2/90B)	sap	W5013111261195		
5	BLLENDE F.HEIZTÜR EM.ANT MET LI W2/90L	W	132712631	BB	ALLE LI.V.ANTHRAZIT TYP
5	TÜZ.AJTÓ KÜL.BURK ZOM ANTMET B (W2/90B)	sap	W5013111263195		
5	BLLENDE F.HEIZTÜR EM.BRAUN LI W2/90L	W	132712641	BB	ALLE LI.V.BRAUN TYP
5	TUZ.AJTÓ KÜL.BURK ZOM BARNA B (W2/90B)	sap	W5013111264195		
5	BLLENDE F.HEIZTÜR EM.KIESEL LI W2/90L	W	132716519	BB	ALLE LI.V.KIESEL TYP
5	TUZ.AJTÓ KÜL.BURK ZOM KAVICS B (W2/90B)	sap	W5013111265195		
5	BLLENDE F.HEIZTÜR EM.SCHWARZ LI W2/90L	W	132712661	BB	ALLE LI.V.SCHWARZ TYP
5	TUZ.AJTÓ KÜL.BURK ZOM FEKETE B (W2/90B)	sap	W5013111266195		
5	BLLENDE F.HEIZTÜR EM.MARSALA LI W2/90L	W	132712691	BB	ALLE LI.V.MARSALA TYP
5	TUZ.AJTÓ KÜL.BURK ZOM MARSALA B (W2/90B)	sap	W5013111269195		

WAMSLER

POS. Ssz.	ARTIKELBEZEICHNUNG MEGNEVEZES		ARTIKEL-NR. KÓDSZÁM	PREIS- GRUPPE	TYP(EN) TIPUS(OK)
6	DEKORBLENDE HINTEN CNS GESCHW W2/90	W	132713500	QA	ALLE
6	HATSÓ DÍSZBURKOLAT CNS HEG (W2/90)	sap	W5013111350096		
7	HERDSTANGE BOGEN (ELEGANCE) CNS (W2-90)	W	132715360	BB	1-45; 91-135; 181-225; 271-315
7	ÍVES KORLÁT HEG. (W2-90)	sap	135360		
7	HERDSTANGE RUND (FASHION) CNS (W2-90)	W	132715578	TA	46-90; 136-180; 226-270; 316-360
7	CSŐ KORLÁT HEG. 760MM (W2/90)	sap	135578		
8	DREHKNOPF CNS (W2-50-90-110)	W	152715323	WA	ALLE
8	SZABÁLYZÓ GOMB CNS K400 CSI W2/50-90-110	sap	135323		
9	RAUCHLOCHDECKEL D154 EM.WEIB	W	462111610	JA	ALLE WEISS TYP
9	FÜSTNYÍLÁS FEDÉL ZOM. FEHÉR	sap	W2462111610		
9	RAUCHLOCHDECKEL D154/d5mm EM.MATT KASCHM	W	152711675	IA	ALLE KASHMIR TYP
9	FCSNY FEDÉL ÁTM154 ZOM MATT KASM	sap	W5012811167595		
9	RAUCHLOCHDECKEL D154X4 EM.ANTRAZIT METAL	W	151712803	LA	ALLE ANTHRAZIT TYP
9	FCSNY FEDÉL ÁTM:154X4 ZOM ANTRAZIT METÁL	sap	W5015101280395		
9	RAUCHLOCHDECKEL D154X4 EM.BRAUN	W	151712802	JA	ALLE BRAUN TYP
9	FCSNY FEDÉL ÁTM154X4 ZOM BARNÁ	sap	W5015101280295		
9	RAUCHLOCHDECKEL D154X4 EM.KIESEL	W	120111610	JA	ALLE KIESEL TYP
9	FCSNY FEDÉL ÁTM154X4 ZOM KAV	sap	W2120111610		
9	RAUCHLOCHDECKEL D154X4 EM.SCHWARZ	W	120111630	JA	ALLE SCHWARZ TYP
9	FCSNY FEDÉL ÁTM154X4 ZOM FEK	sap	W2120111630		
9	RAUCHLOCHDECKEL D154/d5mm EM.MARSALA	W	152711600	IA	ALLE MARSALA TYP
9	FÜSTNYÍLÁS FEDÉL ZOM.MARSALA D154	sap	W5013111160095		
9	RAUCHLOCHDECKEL D154 CNS K400 W1/50-90	W	151712801	LA	ALLE CNS TYP
9	FCSNY FEDÉL ÁTM154X4 CNS KEF.W1/40-50-90	sap	W5015101280199		
10	ABGASSTUTZEN F.120erROHR O.AUSSP.MEHRFA	W	160131902	LA	ALLE
10	FÜSTELVEZETŐ CSONK (K140 K144 K155 OZ)	sap	W2160131902		
11	BLENDE OBEN RE CNS W2/50-90	W	152711700	VA	ALLE TYP.
11	FELSŐ BURK JOBB CNS CSISZ (W2/50-90)	sap	W5013111170096		
11	BLENDE OBEN LI CNS W2/50-90	W	152711701	VA	ALLE TYP.
11	FELSŐ BURK BAL CNS CSISZ (W2/50-90)	sap	W5013111170196		

WAMSLER

POS. Ssz.	ARTIKELBEZEICHNUNG MEGNEVEZES		ARTIKEL-NR. KÓDSZÁM	PREIS- GRUPPE	TYP(EN) TIPUS(OK)
12	DECKBLECH PERFORIERT SCHW. W2-50-90	W	132710100	EA	ALLE TYP.
12	TAKARÓLEMEZ PERF. FEST FEK (W2/50-90)	sap	W5013103010094		
12	DECKBLECH PERFORIERT SCH AUSGE W2/90	W	152710101	EA	ALLE
12	TAKARÓLEMEZ PERF. FEST FEK KIV(W2/90)	sap	W5013103010194		
13	ERSTE DECKBLECH VORNE CNS GESCHW.W2/90	W	132712800	UA	ALLE TYP.
13	ELSŐ FELSŐ TAKARÓLEMEZ CNS HEG (W2/90)	sap	W5013102800096		
14/A	KOCHPLATTE GESCHW 8X521X332	W	131712100	HB	ALLE STAHL TYP
14/A	FŐZŐLAP HEG. 8X521X332	sap	W5013110210096		
14/A	CERANPLATTE 738X522X4 RECHTS Ceranplatte ist komplett, Kochlochringe Ceran werden nicht benötigt.	W	131714195	SB	ALLE RE CER TYP
14/A	CERÁN LAP 738X522X4 JOBB	sap	124195		
14/B	CERANPLATTE 738X522X4 LINKS Ceranplatte ist komplett, Kochlochringe Ceran werden nicht benötigt.	W	131714410	SB	ALLE LI CER TYP
14/B	CERÁN LAP 738X522X4 BAL	sap	124410		
14/B	HERDPLATTE GESCHW. RE 8X521X405	W	131716100	GB	ALLE RE STAHL TYP
14/B	TÜZHELYLAP HEG. JOBB 8X521X405	sap	W5013110610096		
14/B	HERDPLATTE GESCHW. LI 8X521X405	W	131716101	GB	ALLE LI STAHL TYP
14/B	TÜZHELYLAP HEG. BAL 8X521X405	sap	W5013110610196		
14/B	RAUCHLOCHDECKEL AB0503 K118,128,138 (VA)	W	132713630	HA	ALLE STAHL TYP
14/B	(K118)FÜSTJÁRATFEDÉL ATM120 Lv8 VOEST A	sap	W5011813630070		
15/A	KOCHLOCHRING STAHL D200X8	W	151718900	NA	ALLE STAHL TYP
15/A	FŐZŐLAP BETÉT D200x8	sap	W5015100890099		
15/A	KOCHLOCHRING CERAN D200X4	W	151714197	CB	ALLE ST/CER TYP
15/A	CERANBETÉT D200x4	sap	124197		
15/B	KOCHLOCHRING OVAL STAHL 320x200x8	W	131711830	QA	ALLE STAHL TYP
15/B	TÜZHELYLAP BETÉT OVAL 320x200x8	sap	W5013101830099		
15/B	CERAN EINLAGE OVAL 320X200X4	W	131714198	DB	ALLE ST/CER TYP
15/B	TÜZHELYLAP CERANBETÉT OVAL 320x200x4	sap	124198		
16	STRALSCHUZBLECH VORNE CNS (W2-90)	W	132710900	QA	ALLE
16	HÖVÉDŐ TAKARÓLEMEZ CNS PATINÁZVA (W2/90)	sap	W5013103090094		
17	STELLSCHRAUBE M8X70	W	151715544	AA	ALLE 850 mm TYP
17	ALLITO CSAVAR M8x70	sap	125544		

WAMSLER

POS. Ssz.	ARTIKELBEZEICHNUNG MEGNEVEZES		ARTIKEL-NR. KÓDSZÁM	PREIS- GRUPPE	TYP(EN) TIPUS(OK)
17	STELLSCHRAUBE M8X120	W	151716062	AA	ALLE 900MM TYP
17	ÁLLÍTÓ CSAVAR M8x120	sap	126062		
18	MUTTER FÜR STELSCHRAUBE M8	W	151714029	AA	ALLE
18	ZÁRT ANYA ÁLLÍTÓCSAVARHOZ M8	sap	104029		
19	HALTERBLECH FÜR RAUCHLOCHDECKEL SCHWARZ	W	151712700	FA	ALLE
19	FÜSTNYÍLÁS FEDÉL RÖGZÍTŐ FEST FEK	sap	W5015101270094		
20	SCHUTZBLECH SEITE AUSEN LI GESCHW W2	W	152714301	MA	ALLE TYP
20	SZIG LEM OLD KÜLSŐ BAL HEG (W2/50-90)	sap	W50131111430196		
20	SCHUTZBLECH SEITE AUSEN RE GESCHW W2-50/	W	152714300	MA	ALLE RE TYP
20	SZIG LEM OLD KÜLSŐ JOBB HEG(W2/50-90)	sap	W50131111430096		
21	SCHUTZBLECH SEITL. INNEN LI W2-50/90	W	152718401	LA	ALLE
21	SZIG LEMEZ OLD BELSŐ ÉLH BAL(W2/50/90)	sap	W5013102840199		
21	SCHUTZBLECH SEITL. INNEN RE W2-50/90	W	152718400	LA	ALLE
21	SZIG LEMEZ OLD BELSŐ ÉLH JOBB(W2/50/90)	sap	W5013102840099		
22	KOCHLEWAGEN GESCHW. (W2-90)	W	132712000	QA	ALLE
22	FIÓK HEG. (W2/90)	sap	W5013111200096		
23/a	DICHTUNGSBAND F.HEIZTÜRGLAS L=250x2x8 + 220x2x8 (2-2St)	W	108718116	HA/m	ALLE
23/a	TÖMÍTŐSZALAG TÜZELÓAJTÓ ÜVEGHEZ L=250x2x8 + 220x2x8 (2-2db)	sap	101127		
24	GRIFF F. KOCHLEWAGEN CNS GESCHW.W2/90	W	132718600	QA	ALLE
24	FIÓK FOGANTYÚ CNS HEG CSISZ (W2/90)	sap	W5013102860096		
25	DÜBELSCHRAUBE M8X8X8	W	198715051	AA	ALLE
25	CSAPOS CSAVAR M8X8X8	sap	108369		
26	GRIFF F.HEIZTÜR GEBOGEN (ELEGANT) CNS RE Für alle RECHTEN Türen, egal welche Ausführung!	W	152715361	WA	ALLE ELEGANTE TYP
26	IVES FOGANTYÚ HEG. JOBB (W2/50-90-110)	sap	135361		
26	GRIFF F.HEIZTÜR GEBOGEN (ELEGANT) CNS LI Für alle LINKEN Türen, egal welche Ausführung!	W	132715362	WA	ALLE ELEGANTE TYP
26	IVES FOGANTYÚ HEG. BAL (W2/90-110)	sap	135362		
26	GRIFF F.HEIZTÜR RUND (FASHION) CNS (W2)	W	152715576	XA	ALLE FASHION TYP
26	CSÖ FOGANTYÚ HEG. (W2/50-90-110)	sap	135576		
27	ACHSE F.GRIFF 2 W1/40-75-50-90	W	171711200	DA	ALLE
27	ZARTENGELY 2 FORG (W1/40-75-50-90)	sap	W5017101120070		

WAMSLER

POS. Ssz.	ARTIKELBEZEICHNUNG MEGNEVEZES		ARTIKEL-NR. KÓDSZÁM	PREIS- GRUPPE	TYP(EN) TIPUS(OK)
28	BEFESTIGUNG F.SCHAUGLAS STFAL1	W	198715021	EA	ALLE
28	ÜVEGRÖGZÍTŐ STFAL1	sap	W5005401420097		
29	ROBAX 290X240X4 AUSEN/INNEN F.HEIZTÜR	W	151714199	WA	ALLE
29	TÜZELŐAJTÓ ÜVEG KÜLSŐ / BELSŐ 290X240X4	sap	124199		
30	BLLENDE F.HEIZTÜR INNEN R SCHW W2/90R	W	132712700	VA	ALLE RE TYP
30	TÜZ.AJTÓ BELSŐ BURK J FEST FEK (W2/90J)	sap	W5013111270094		
30	BLLENDE F.HEIZTÜR INNEN LI SCHW W2/90LI	W	132712701	VA	ALLE LI TYP
30	TÜZ.AJTÓ BELSŐ BURK B FEST FEK (W2/90B)	sap	W5013111270194		
31	STEIN F.KOCHPLATTE VO/HI 30X118X284	W	151714365	MA	ALLE
31	VERMICULIT FŐZŐLAP HÓVÉDŐ ELSŐ-HÁTSÓ 30X118X284	sap	124365		
32	STEIN F.KOCHPLATTE MITTE 30X224X284	W	131715303	RA	ALLE
32	VERMICULIT FŐZŐLAP HÓVÉDŐ KÖZÉPSŐ 30X224X284	sap	125303		
33	STEIN ABGASFÜHRUNG HINTEN 32X265X320	W	131711248	OA	ALLE
33	SAMOTT LÁNGTERELŐ HÁTSÓ IDOM 32X265X320	sap	124800		
34	STEIN ABGASFÜHRUNG VORNE 32X85X320	W	151714327	KA	ALLE
34	SAMOTT LÁNGTERELŐ ELSŐ IDOM 32X85X320	sap	124327		
35	DECKBLECH F.STEIN	W	151711310	LA	ALLE
35	TAKARÓ LEMEZ TÉGLÁHOZ	sap	W5015101310099		
36	DICHTSCHNUR D12 L=2355	W	011260003	JA/m	ALLE
36	TÖMÍTŐZSINÓR TŰZHELYLAPHOZ D12 L=2355	sap	101116		
37	STEIN HINTEN OBEN 32X160X320	W	131714799	MA	ALLE
37	SAMOTT HÁTSÓ FELSŐ IDOM 32X160X320	sap	124799		
38	HALTERBLECH F.STEIN CNS RE/LI	W	131715500	AA	ALLE
38	TÉGLARÖGZÍTŐ LEMEZ CNS JOBB / BAL	sap	W5013100550099		
39	HALTERBLECH F.STEIN EM HINTEN OBEN RE	W	131711610	LA	ALLE
39	HÁTSÓ TÉGLARÖGZÍTŐ LEMEZ FELSŐ ZOM. JOBB	sap	W5013101610095		
39	HALTERBLECH F.STEIN EM HINTEN OBEN LI	W	131711611	LA	ALLE
39	HÁTSÓ TÉGLARÖGZÍTŐ LEMEZ FELSŐ ZOM. BAL	sap	W5013101610195		
40	STEIN SEITE I. 32X183X255	W	151714325	MA	ALLE
40	SAMOTT OLDALSO I. IDOM 32X183X255	sap	124325		

WAMSLER

POS. Ssz.	ARTIKELBEZEICHNUNG MEGNEVEZES		ARTIKEL-NR. KÓDSZÁM	PREIS- GRUPPE	TYP(EN) TIPUS(OK)
41	STEIN HINTEN UNTEN 32X161X320	W	151714322	KA	ALLE
41	SAMOTT HÁTSÓ ALSÓ IDOM 32X161X320	sap	124322		
42	ROSTRELING LACK.SCHWARZ GG	W	151715000	KA	ALLE
42	PARÁZSFOGÓ ÖV FESTETT FEK	sap	W5015100500084		
43	ROST LACK. SCHWARZ GG	W	151714900	QA	ALLE
43	ROSTÉLY ÖV FEST FEK	sap	W5015100490084		
44	STRAHLSUTZBLECH EM. F.BACKOFEN RE	W	131715300	NA	ALLE RE TYP
44	HÖVÉDŐ LEMEZ SÜTŐRE ZOM FEK JOBB	sap	W5013101530095		
44	STRAHLSUTZBLECH EM. F.BACKOFEN LI	W	131715301	NA	ALLE LI TYP
44	HÖVÉDŐ LEMEZ SÜTŐRE ZOM FEK BAL	sap	W5013101530195		
45	STRAHLSUTZBLECH VORNE GESCHW. RE	W	131714800	LA	ALLE RE TYP
45	HÖVÉDŐ LEMEZ ELSŐ HEG JOBB	sap	W5013110480096		
45	STRAHLSUTZBLECH VORNE GESCHW. LI	W	131714801	MA	ALLE LI TYP
45	HÖVÉDŐ LEMEZ ELSŐ HEG BAL	sap	W5013110480196		
46	STEIN STRAHLSTUTZ OBEN HINTEN 174X118X30	W	131715302	MA	ALLE
46	HÖVÉDŐ BETÉT SÜTŐ FÖLÉ HÁTSÓ 174X170X30	sap	125302		
47	STEIN STRAHLSTUTZ OBEN VORNE 174X118X30	W	131715046	LA	ALLE
47	HÖVÉDŐ BETÉT SÜTŐ FÖLÉ ELSŐ 174X118X30	sap	125046		
48	STEIN STRAHLSTUTZ OBEN MITTE 460X228X30	W	131715047	SA	ALLE
48	HÖVÉDŐ BETÉT SÜTŐ FÖLÉ KÖZÉPSŐ 460X228X30	sap	125047		
49	EINHEIZHILFE KPL. RE SCHWAZ 2015 W2/90R	W	132711200	OA	ALLE RE TYP
49	ZÁROLEMEZ FELSŐ J HEG FEK 2015 (W2/90J)	sap	W5013111120094		
49	EINHEIZHILFE KPL. RE SCHWAZ 2015 W2/90L	W	132711201	OA	ALLE LI TYP
49	ZÁROLEMEZ FELSŐ B HEG FEK 2015 (W2/90B)	sap	W5013111120194		
50	ACHSE F.EINHEIZHILFE 2 BRÜNIERT W2/90	W	132713700	EA	ALLE
50	BEGYÚJTÁS SEG TENG2 HEG BARNITOTT(W2/90)	sap	W5013111370094		
51	REGLERSTANGE FÜR EINHEIZHILFE (W2-90)	W	132716600	AA	ALLE
51	BEGYÚJTÁS SEGÍTŐ LEMEZKAR ÉLH (W2/90)	sap	W5013102660099		
52	ROHRNIET D 10*0, 5*30 mmDIN 7340	W	144710099	AA	ALLE
52	CSOSZEGECS B10X0,5X30 REZ.NIKK. DIN 7340	sap	112322		

WAMSLER

POS. Ssz.	ARTIKELBEZEICHNUNG MEGNEVEZES		ARTIKEL-NR. KÓDSZÁM	PREIS- GRUPPE	TYP(EN) TIPUS(OK)
53	BLINDDECKEL O.LOCH D148	W	160116102	KA	ALLE
53	VAKFEDÉL D148FURAT NÉLKÜL	sap	W2160116102		
54	ASCHEKASTEN GESCHW.	W	151710000	NA	ALLE
54	HAMULÁDA HEG	sap	W5015101000096		
55	SUTZBLECH UNTEN	W	151711210	KA	ALLE
55	ALSÓ SZIGETELŐ LEMEZ	sap	W5015101210099		
55/A	SUTZBLECH UNTEN RECHTS	W	131712800	PA	ALLE RE TYP
55/A	ALSÓ SZIGETELŐ LEMEZ JOBB	sap	W5013110280096		
55/A	SUTZBLECH UNTEN LINKS	W	131712801	PA	ALLE LI TYP
55/A	ALSÓ SZIGETELŐ LEMEZ II BAL	sap	W5013110280196		
56	HERDBODEN DECKBLECH GESCHW.	W	151711055	JA	ALLE
56	FENÉKLEMEZ LEZÁRÓ HEG	sap	W5015110550096		
57	LUFTSCHIEBER AUTOMATISCH W1/50-90	W	151714419	XA	ALLE
57	AUTOMATA SZABÁLYZÓ/RATGEBER/50C W1/50-90	sap	124419		
58	FUSS VORNE LACK.SCHWARZ	W	151712000	GA	ALLE
58	ELSŐ LÁB FEST FEK	sap	W5015100200094		
58/A	FUSS VORNE LACK.SCHWARZ RE	W	131717100	IA	ALLE RE TYP
58/A	ELSŐ LÁB HEG FEST FEK JOBB	sap	W5013110710094		
58/A	FUSS VORNE LACK.SCHWARZ LI	W	131717101	IA	ALLE LI TYP
58/A	ELSŐ LÁB HEG FEST FEK BAL	sap	W5013110710194		
59	Z-SCHIENE RE-LI. (PAAR) F.KOHLWAG	W	151713702	DB	ALLE
59	FIÓKSÍN HEG JOBB-BAL (PÁR)	sap	128645		
60	RANDELMUTTER M6 ST.ZN.DIN467	W	050046701	DA	ALLE
60	ROVÁTKOLT ANYA M6	sap	104415		
61	RÜCKWAND RECHTS	W	131711800	RA	ALLE RE TYP
61	HÄTFAL JOBB	sap	W5013101180099		
61	RÜCKWAND LINKS	W	131711801	RA	ALLE RE TYP
61	HÄTFAL BAL	sap	W5013101180199		
62	ACHSE F.EINHEIZHILFE RE BRÜNIERT W2/90	W	132711100	IA	ALLE RE TYP
62	BEGYÚJTÁS SEG TEN J HEG BARNITOTT(W2/90)	sap	W5013111110094		

WAMSLER

POS. Ssz.	ARTIKELBEZEICHNUNG MEGNEVEZES		ARTIKEL-NR. KÓDSZÁM	PREIS- GRUPPE	TYP(EN) TIPUS(OK)
62	ACHSE F.EINHEIZHILFE LI BRÜNIERT W2/90	W	132711101	IA	ALLE LI TYP
62	BEGYÚJTÁS SEG TEN B HEG BARNITOTT(W2/90)	sap	W5013111110194		
64	ACHSE F.PRIMERLUFT REG.BRÜNI RE W2/50/90	W	152711500	FA	ALLE RE TYP
64	PRIM LEV.SZAB.TENG.HEG. J.BARN(W2-50/90)	sap	W5013111150094		
64	ACHSE F.PRIMERLUFT REG.BRÜNIERT LI W2/90	W	132711501	FA	ALLE LI TYP
64	PRIM LEV.SZAB.TENG.HEG. B.BARN(W2-90)	sap	W5013111150194		
65	BETETIGUNGSHEBEL F.PRIMLUFTSCHIEBER LACK.SCHWARZ	W	131717400	GA	ALLE
65	SZABÁLYZÓKAR PR.LEV.SZAB FEK	sap	W5013110740094		
66	BETETIGUNGSSTANGE F.PRIMLUFTSCHIEBER RE. LACK.SCHWARZ	W	151713900	HA	ALLE RE TYP
66	MOZGATORÚD PRIM.SZAB J FEST FEK	sap	W5015100390094		
66	BETETIGUNGSSTANGE F.PRIMLUFTSCHIEBER LI. LACK.SCHWARZ	W	151713901	HA	ALLE LI TYP
66	MOZGATORÚD PRIM.SZAB B FEST FEK	sap	W5015100390194		
67	FÜHRUNGS BLECH III. RE 2013 (W1-90)	W	132714000	AA	ALLE
67	TARTÓFÜL III. JOBB ÉLH 2013 (W1/90)	sap	W5013102400099		
68	DREHKNOPF CNS (W2-50-90-110)	W	152715323	WA	ALLE
68	SZABÁLYZÓ GOMB CNS K400 CSI W2/50-90-110	sap	135323		
69	SPRENGRING F.TÜRGRIF M8	W	151714473	AA	ALLE
69	RUGÓS ALÁTÉT AJTÓFOGANTYÚHOZ M8	sap	104473		
70	SCHLOSS GESCHW.LACK.SCHWARZ	W	151713100	JA	ALLE
70	ZÁRCSAPTARTÓ HEG FEST FEK	sap	W5015110310094		
71	MUTTER GESCHLOSSEN M6	W	151715484	AA	ALLE
71	ZÁRT ANYA M6	sap	125484		
72	UNTERLEGBLECH F.SCHLOSS 0.5mm SCHWARZ	W	101718028	FA	ALLE
72	ZÁRCSAPTARTÓ ALÁTÉT FEST FEK	sap	W5007200220594		
73	PUFFER F.TÜRANSCHLAG, PVC SCHWARZ	W	109710021	AA	ALLE
73	TÁVTARTÓ FEKETE SZIL.GUMI	sap	104749		
74	BLLENDE F.BRATH.EM.MATSCHWAZ RE W2/90R	W	132713362	CB	ALLE RE TYPEN OHNE V.
74	SUT.AJTO BURK ZOM MATTFEK J (W2/90J)	sap	W5013111336295		
74	BLLENDE F.BRATH.EM.SCHWARZ RE W2/90RE	W	132713360	CB	ALLE RE V.SCHWARZ TYP
74	SUT.AJTO BURK ZOM FEKETE J (W2/90J)	sap	W5013111336095		

WAMSLER

POS. Ssz.	ARTIKELBEZEICHNUNG MEGNEVEZES		ARTIKEL-NR. KÓDSZÁM	PREIS- GRUPPE	TYP(EN) TIPUS(OK)
74	BLLENDE F.BRATH.EM.MATSCHWAZ LI W2/90L	W	132713363	CB	ALLE LI TYPEN OHNE V.
74	SÜT.AJTÓ BURK ZOM MATTFEK B (W2/90B)	sap	W5013111336395		
74	BLLENDE F.BRATH.EM.SCHWARZ LI W2/90LI	W	132713361	CB	ALLE LI V.SCHWARZ TYP
74	SÜT.AJTÓ BURK ZOM FEKETE B (W2/90B)	sap	W5013111336195		
74	BLLENDE F.BRATH.EM.WEISS LI W2/90LI	W	132713300	CB	ALLE RE V.WEISS TYP
74	SÜT.AJTÓ BURK ZOM FEHÉR J (W2/90J)	sap	W5013111330095		
74	BLLENDE F.BRATH.EM.WEISS LI	W	132713301	CB	ALLE LI V.WEISS TYP
74	SÜT.AJTÓ BURK ZOM FEHÉR B (W2/90B)	sap	W5013111330195		
74	BLLENDE F.BRATH.EM.BRAUN RE W2/90R	W	132713340	CB	ALLE RE V.BRAUN TYP
74	SÜT.AJTÓ BURK ZOM BARNÁ J (W2/90J)	sap	W5013111334095		
74	BLLENDE F.BRATH.EM.BRAUN LI W2/90LI	W	132713341	CB	ALLE LI V.BRAUN TYP
74	SÜT.AJTÓ BURK ZOM BARNÁ B (W2/90B)	sap	W5013111334195		
74	BLLENDE F.BRATH.EM.KIESEL RE W2/90RE	W	132713350	CB	ALLE RE V.KIESEL TYP
74	SÜT.AJTÓ BURK ZOM KAVICS J (W2/90J)	sap	W5013111335095		
74	BLLENDE F.BRATH.EM.KIESEL LI W2/90LI	W	132713351	CB	ALLE LI V.KIESEL TYP
74	SÜT.AJTÓ BURK ZOM KAVICS B (W2/90B)	sap	W5013111335195		
74	BLLENDE F.BRATH.EM.ANT MET RE W2/90RE	W	132713330	CB	ALLE RE V.ANTHRAZIT TYP
74	SÜT.AJTÓ BURK ZOM ANT METÁL J (W2/90J)	sap	W5013111333095		
74	BLLENDE F.BRATH.EM.ANT MET LI W2/90LI	W	132713331	CB	ALLE LI V.ANTHRAZIT TYP
74	SÜT.AJTÓ BURK ZOM ANT METÁ B (W2/90B)	sap	W5013111333195		
74	BLLENDE F.BRATH.EM.KASMIR MATT RE W2/90RE	W	132713310	CB	ALLE RE V.KASCHMIR TYP
74	SÜT.AJTÓ BURK ZOM KASMIR MATT J (W2/90J)	sap	W5013111331095		
74	BLLENDE F.BRATH.EM.KASMIR MATT LI W2/90LI	W	132713311	CB	ALLE LI V.KASCHMIR TYP
74	SÜT.AJTÓ BURK ZOM KASMIR MATT B (W2/90B)	sap	W5013111331195		
74	BLLENDE F.BRATH.EM.MARSALA RE W2/90RE	W	132713390	CB	ALLE RE V.MARSALA TYP
74	SÜT.AJTÓ BURK ZOM MARSALA J (W2/90J)	sap	W5013111339095		
74	BLLENDE F.BRATH.EM.MARSALA LI W2/90LI	W	132713391	CB	ALLE LI V.MARSALA TYP
74	SÜT.AJTÓ BURK ZOM MARSALA B (W2/90B)	sap	W5013111339195		
75	BLLENDE INNEN RE F.BRATHROHRTÜR (W2/90R)	W	132713400	RA	ALLE RE TYP
75	SÜTÓAJTÓ BELS JOBB HEG ZOM KTZ (W2/90J)	sap	W5013111340095		

WAMSLER

POS. Ssz.	ARTIKELBEZEICHNUNG MEGNEVEZES		ARTIKEL-NR. KÓDSZÁM	PREIS- GRUPPE	TYP(EN) TIPUS(OK)
75	BLLENDE INNEN LI F.BRATHROHRTÜR (W2/90L)	W	132713401	RA	ALLE LI TYP
75	SÜTŐAJTÓ BELSŐ BAL HEG ZOM KTZ (W2/90B)	sap	W5013111340195		
76	ROBAX AUSEN 305X290X4 W1/75-90	W	131714484	VA	ALLE
76	ROBAX KÜLSŐ 305X290X4 W1/75-90	sap	134879		
77	ROBAX INNEN BOHRT BEDR.305X290X4 W75-90	W	131714485	AB	ALLE
77	ROBAX BELSŐ SZITA FÜRT 305X290X4 W75-90	sap	134878		
78	THERMOMETER KPL. LKQ.	W	123674017	KA	ALLE
78	SÜTŐHÖMÉRŐ LKQ.	sap	134697		
79	DICHTUNGSBAND F.HEIZTÜRGLAS L=1200X2X8	W	151716066	GA/m	ALLE
79	TÓMÍTÓSZALAG SÜTŐAJTÓ ÜVEGHEZ L=1200x2x8	sap	126066		
80	BRATROHR CNS RE	W	131717000	EB	ALLE RE TYP
80	SÜTŐKAMRA CNS HEG JOBB	sap	W5013110700096		
80	BRATROHR CNS LI	W	131717001	EB	ALLE LI TYP
80	SÜTŐKAMRA CNS HEG BAL	sap	W5013110700196		
81	TELESKOPAUSZUG RE QUADRO3 W1/75-90 2014	W	131713686	PA	ALLE
81	TELESZKÓPOS SIN SÜTŐBE JOBB QUADRO3 2014	sap	133686		
81	TELESKOPAUSZUG LI QUADRO3 W1/75-90 2014	W	131713685	PA	ALLE
81	TELESZKÓPOS SIN SÜTŐBE B QUADRO3 2014	sap	133685		
81	GITTER SEITE F.TELESKOPAUSZUG W1/75-90	W	131713679	TA	ALLE
81	OLDALRÁCS TEL.SINHEZ NIKK. W1/75-90 2014	sap	133679		
82	GEWINDESTIFT VERNICK. F.TELESKOPAUSZUG	W	302710026	FA	ALLE
82	SÜTŐOLDALRÁCS TARTÓ CSAP	sap	118031		
83	BACKBLECH EM. KTZ (W1/75-90)	W	131710256	QA	ALLE
83	SÜTŐTEPSI ZOM KTZ (W1/75-90)	sap	W5013102560095		
84	GRILLROST VERNICK. W1/75/90 2014	W	131713680	VA	ALLE
84	GRILLRÁCS NIKK (W1-75/90)	sap	133680		
85	LEUCHTE F.BRATROHR KPL.25W	W	214710091	RA	ALLE
85	SÜTŐVILÁGÍTÁS KPL 25W IZZÓVAL	sap	112146		
86	DICHTSHNURHALTER BLECH V/H	W	131718200	KA	ALLE
86	ZSINORTARTÓ HEG ELSŐ HATSO	sap	W5013110820096		

WAMSLER

POS. Ssz.	ARTIKELBEZEICHNUNG MEGNEVEZES		ARTIKEL-NR. KÓDSZÁM	PREIS- GRUPPE	TYP(EN) TIPUS(OK)
87	HALTERBLECH SEITLICH DICHTSHNUR	W	131718300	IA	ALLE
87	ZSINÓRTARTÓ HEG OLDALSÓ	sap	W5015110830096		
88	ZIEKNOPF CNS D19,5X18	W	151713400	LA	ALLE ST/CER TYP
88	HÜZÖGOMB CNS D19,5X18	sap	W5015101340070		
89	HEBER F.CERAN KPL.	W	151715457	FA	ALLE ST/CER TYP
89	CERÁNKIEMELŐ	sap	125457		
90	DISTANZHALTER SELBSTKLEBEND SILIKON	W	151715146	AA	ALLE
90	ÖNTAPADÓ SZILIKON TÁVTARTÓ	sap	125146		
91	DECKELHEBER VERNICKELT	W	120961101	IA	ALLE
91	KEZELŐKULCS	sap	W2120961101		
92	SCHÜRHAKEN SCHUTZLACKIERT	W	168975503	LA	ALLE
92	PISZKAVAS FEST FEK	sap	W2168975503		
93	BRENNERTOPFKRATZE/REINIGG.KRATZER	W	437710046	GA	ALLE
93	TISZTÍTÓ KAPARÓ	sap	W14201600XX		
94	HANDSCHUH ROT LINKSHÄNDIG	W	144710063	JA	ALLE
94	KESZTYŰ HŐÁLLÓ BAL PIROS TEFLONOS	sap	111438		
95	BEDIENUNGSANLEITUNG W2/90 DE	W	132715478	BA	ALLE
95	W2-90 HASZNÁLATI ÚTM. 4 NY.	sap	135478		
96	GLÜHLAMPE E14 230V/25W BIS300GRAD	W	011180043	KA	ALLE
96	IZZOLÁMPA SÜTŐVILÁGÍTÁSHOZ 230V/25W	sap	112253		
97	PUTZTÜRDECKEL SCHWARZ	W	131712500	GA	ALLE
97	TISZTÍTÓAJTÓ FEDÉL	sap	W5013102250094		
98	DECKEL F.ISOLIERRÜCKWAND	W	147111600	HA	ALLE
98	FEDÉL SZIGETELŐFALHOZ	sap	W2147111600		
99	RAHMEN F. GLÜHLAMPE SCHWARZ	W	131712900	SA	ALLE
99	LAMPAKERET HEG FEST FEK	sap	W5013110290094		
100	VERBINDUNGSKABEL 250V 10A L-2M TIP	W	131716169	KA	ALLE
100	CSATLAKOZÓKABEL 250V 10A L-2M TIP	sap	126169		
101	LEITUNGSBÜNDEL SV-W1/90	W	131714280	RA	ALLE
101	KABELKOTEG SV-W1/90	sap	124280		

WAMSLER

POS. Ssz.	ARTIKELBEZEICHNUNG MEGNEVEZES		ARTIKEL-NR. KÓDSZÁM	PREIS- GRUPPE	TYP(EN) TIPUS(OK)
102	SCHALTER F.BELEUCHTUNG RUND CM E0020	W	202710123	KA	ALLE
102	SÜTŐVILÁGÍTÁS KAPCSOLÓ CM E0020	sap	118367		
102	DRUCKKNOPF F.BRATR'BE.SCHW.RUND	W	214711197	DA	ALLE
102	NYOMOGOMG VILKAPCS.HOZ FEK	sap	118366		
103	KLEMMLEISTE HALTER	W	131714200	GA	ALLE RE TYP
103	KAPOCSLÉCTARTÓ ÉLH	sap	W5013101420099		
103	KLEMMLEISTE HALTER LI NML ER.DU: W5013101420099	W	131714201	GA	ALLE LI TYP
103	KAPOCSLÉCTARTÓ B ÉLH	sap	W5013101420199		
104	KLEMMLEISTE ABDECKBLECH	W	131714100	GA	ALLE RE TYP
104	KAPOCSLÉC TAKARÓ ÉLH	sap	W5013101410099		
104	KLEMMLEISTE ABDECKBLECH LI NML ER.DU: W5013101410099	W	131714101	GA	ALLE LI TYP
104	KAPOCSLÉC TAKARÓ B ÉLH	sap	W5013101410199		
105	KABELBEFESTIGUNG PM9	W	214710098	AA	ALLE
105	SORKAPOCS	sap	117906		
106	HALTER F.SCHUTZBLECH CNS	W	131715600	IA	1,6 ALLE
106	SZIGETELŐLAP TARTÓ HEG 1.4509	sap	W5013110560096		
107	AUTOMATIC LUFTREGLER RATHGEBER	W	132715267	VA	ALLE
107	AUTOMATA SZABÁLYOZÓ W2-90 RATHGEBER	sap	135267		
	FEDERLASCHE FXRPM 150/B 0,50 MM	W	011020015	DA	ALLE
	RUGÓS ROGZITOFUL FXRPM 150/B 0,50MM	sap	131821		
	NIETE 2.8X5.3 STAHL/STAHL	W	151718619	AA	ALLE
	HUZOSZEGECS 2.8X5.3 ACEL/ACEL	sap	108619		
--	AUFKLEBER "PUSH" (W1/2/50-75-90-110)	W	151716259	AA	ALLE
--	CÍMKE "PUSH" (W1/2/50-75-90-110)	sap	126259		