

# T

## Instructions





1.	INSTRUCTIONS	pag.	4
1.1	General instructions	pag.	4
1.2	Safety instructions	pag.	4
1.3	Recommended combustibles	pag.	4
1.4	Other combustibles	pag.	4
1.5	Accessories	pag.	4
1.6	Parts of the thermostove	pag.	5
2.	INSTALLATION	pag.	7
2.1	General notes	pag.	7
2.2	Placement	pag.	7
2.3	Chimney	pag.	7
2.4	Dimensions and correct forms of chimney	pag.	8
2.5	Connection to the chimney	pag.	8
2.6	Flue	pag.	8
2.7	Chimney pot	pag.	8
2.8	Conjunction	pag.	8
2.9	Sides fixing (X Art and X Rock series)	pag.	9
2.10	Correct conjunction to the chimney	pag.	9
2.11	Air intake	pag.	9
2.12	First lighting	pag.	10
2.13	Settlements	pag.	10
3.	HEATING SYSTEM	pag.	10
3.1	General notes	pag.	10
3.2	Installations modes	pag.	10
3.3	Connections to the heating system	pag.	10
3.4	Thermostat	pag.	11
3.5	Safety	pag.	11
3.6	Thermal discharge	pag.	11
3.7	Exemples	pag.	12
4.	USE	pag.	13
4.1	Working	pag.	13
4.2	Lighting	pag.	13
4.3	Air regulation	pag.	14
4.4	Secondary air regulation	pag.	15
4.5	Oven cooking (T Chef Series)	pag.	15
4.6	Grill regulation	pag.	16
4.7	Steam excess valve (T Chef Series)	pag.	16
4.8	Tile with sliding guides (T Chef Series)	pag.	16
4.9	Baking-pan holder (T Chef Series)	pag.	17
5.	MAINTENANCE	pag.	17
5.1	Cleaning	pag.	17
5.2	Majolica or Natural stone cladding (T Art and T Rock Series)	pag.	17
5.3	Cleaning the visible parts	pag.	17
5.4	Maintenance of the combustion chamber sheets	pag.	17
5.5	Grill cleaning	pag.	18
5.6	Ash box	pag.	18
5.7	Oven cleaning (T Chef Series)	pag.	18
5.8	Fume-circuit cleaning	pag.	18
5.9	Chimney cleaning	pag.	19
5.10	Glass cleaning	pag.	19
5.11	Thermic dilatation	pag.	19
5.12	Extraordinary maintenance	pag.	19
5.13	Information on disposal at the end of life	pag.	19
6.	WHAT TO DO IF...	pag.	20
7.	TECHNICAL DATA	pag.	21
7.1	General technical data	pag.	21
7.2	Safety distances	pag.	21
7.3	Regulations at nominal power	pag.	21
	Declaration of performance	pag.	22
	Technical information - regulation (EU) 2015/1185	pag.	23

## INDEX

Product fiche	pag.	24
8. WARRANTY	pag.	25
8.1 Declaration of perfectly made product	pag.	25
8.2 General clauses	pag.	25
8.3 Warranty modalities	pag.	25
8.4 Imperfections or defects in the materials	pag.	25
8.5 Parts not included in warranty	pag.	25
8.6 Boiler warranty	pag.	25
8.7 Operations made out the warranty period	pag.	25
8.8 Responsibility	pag.	25
8.9 Competent law court	pag.	25

The use of economic and ecologic combustibles, the sweet warm of natural fire, the sweet fragrance of the wood of our forests are the qualities that make indispensable wood fired thermostoves in every house. Your choice fell upon a Rizzoli thermostove, result of a tradition started in 1912 when Carlo Rizzoli began the production of wood fired thermostoves with the typical style of the valley in the dolomites. Year after year Rizzoli continued to refine its thermostoves using even more advanced technologies, but without losing contact with the elegance, the beauty and the functionality of the original product.

# 1 INSTRUCTIONS

## 1.1 GENERAL INSTRUCTIONS

For the perfect working of Rizzoli thermostoves it is necessary the correct placing and connection to the chimney and to the heating system. It is necessary to predispose a duly made chimney and well suited to the model you chose. Before the connection of the thermostove it is necessary to contact a local chimney sweeper. The installation usually ends with the lighting of the thermostove and the verify of the correct working. It is necessary to use well dried and good quality wood: it is also necessary to sweep the chimney and the thermostove regularly. We recommend to read carefully the instructions in this booklet before starting to use the thermostove. Keep this booklet because it could be useful in case of necessity.

Talking about the working and the installation of Rizzoli thermostoves, all the European laws, national and local laws and rules must be respected.

## 1.2 SAFETY INSTRUCTIONS

- Respect all the safety distances during the installation of the thermostove.
- The extracting fans, if working in the same room in which the device is installed, might create problems in case of not proper aeration.
- The grids and the ventilation holes of the device must not be obstructed during the installation or the use of the device.
- The installation must guarantee the possibility of access to clean the device, the flue outlet, the chimney hood and for the maintenance of the hydraulic components.
- When using the thermostove, some parts of the device may be very hot, keep attention not to lean and not to touch by hand hot parts (frame, plate and doors).
- When you cook and generally when you use the thermostove you must not wear inflammable dresses.
- Keep more attention in presence of children.
- Do not lean to the thermostove inflammable or explosive materials, in particular curtains or very close to it, inflammable flacons and aerosol bombs.
- The fire door must always be closed except for lighting operations, fire feeding operations and during the maintenance operations.
- Do not open the fire door when the fire door when the thermostove is working and in presence of flame.
- The first lightings of the thermostove and the first seasonal lightings must be done with temperate fire in order to prevent possible breakings of the internal parts.
- The load of an excessive quantity of wood can overheat the device and be dangerous for things and persons.
- Before you go away for a long time, be sure that the fire is terminated.
- Check regularly the gaskets, the carbon and ash residuals inside the thermostove, the in the fume circuit and in the chimney connection.
- Make regularly the cleaning and the fume-circuit and the chimney connection and the chimney itself. At least every six months of normal use contact an experienced technician for checking and cleaning the wood fired thermostove.
- Clean the chimney at least every 6 months of continuative use or once per year.
- In addition to the cleaning and the check of the gaskets, no other specific maintenance is required.
- After a long period in which you do not use the thermostove, check carefully that obstructions are not present and that the thermostove works regularly.
- Use only original or authorized spare parts.
- Do not make any unauthorized modification.

## 1.3 RECOMMENDED COMBUSTIBLES

Wood fired thermostoves are built to use wood for burning. We recommend to use good quality wood, dry, seasoned and possibly broken.

Using good quality wood is warranty of good heating power and avoid the forming of carbon residuals and soot.

To avoid dissipation of energy and eventual deforming and damaging processes you must not use excessive combustible (see chap. 7.1).

Burning an excessive amount of wood can cause the sudden ignition of flammable gases, with the risk of causing damage to things and people.



**WARNING!** The painted parts of the thermostove might discolour because of too high temperatures in the combustion chamber. The causes could be the insertion of excessive quantity of wood and the use of not suitable combustible. This damage is not covered by the warranty.

## 1.4 OTHER COMBUSTIBLES

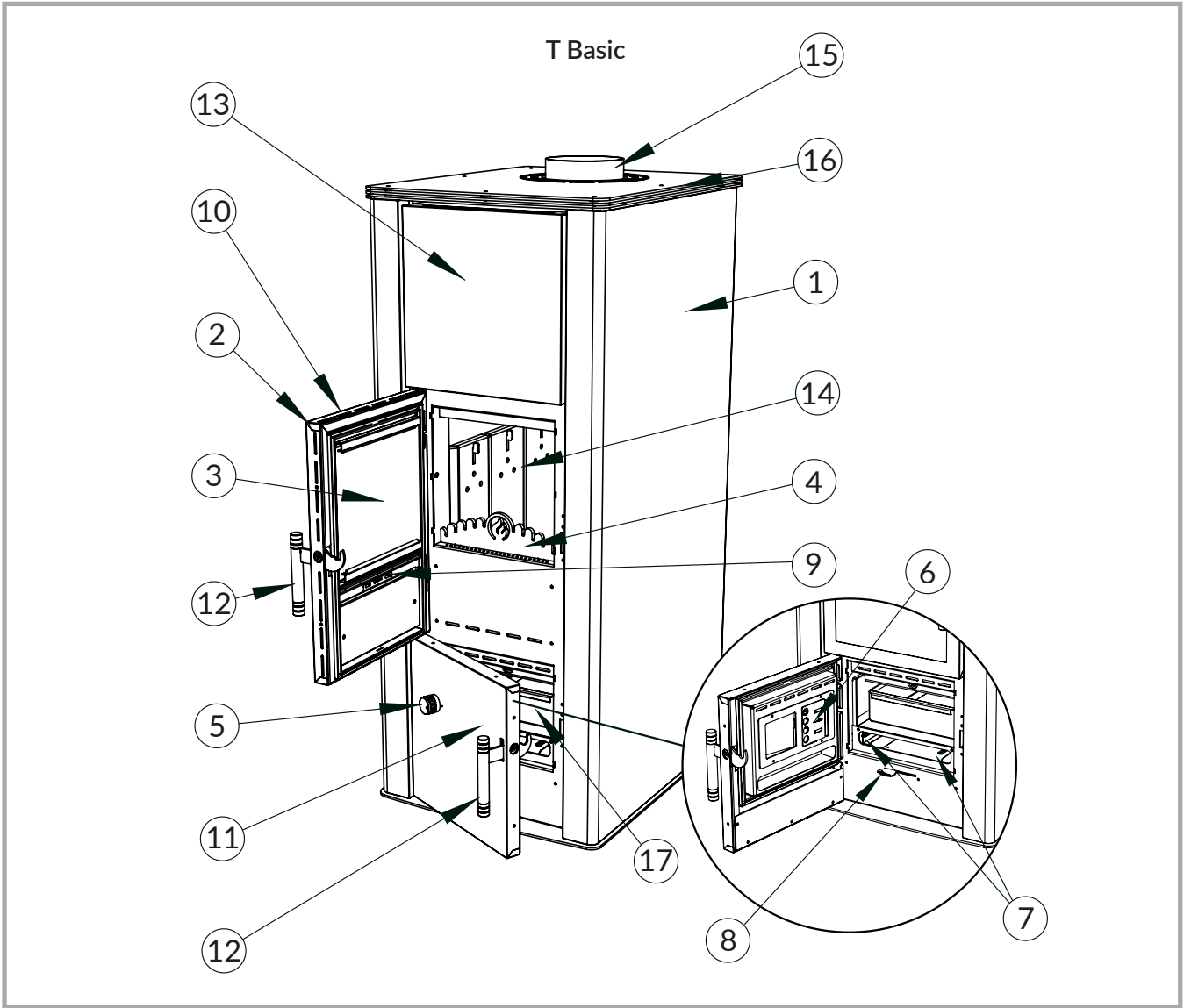
The use of pre-compressed trunks and coal is allowed only desultorily and with moderation, because the strong heating produced may damage some internal components. Other combustibles and refuses, for example plastic, enamelled or treated wood or carton must not be burned. Using this materials is forbidden by law and may cause serious damage not only to your health and environment but also to wood fired thermostove and chimney. The thermostove must not be used as incinerator. It is recommended to use only the suggested combustibles and not liquid combustibles.

## 1.5 ACCESSORIES

Together with the wood fired thermostoves you will find some accessories that simplify the installation, the maintenance and the daily use of the device.

- Instruction and maintenance booklet
- Green booklet and warranty certificate of the wood fired thermostove
- Grill riser
- Ash drawer
- Scraper
- Baking pan (T-Chef Series)
- Oven grill (T-Chef Series)
- Devices for the flue outlet connection
- Sponge for the cleaning of the fire door
- Anti-block device (T-Basic Series); see chapter 5.9

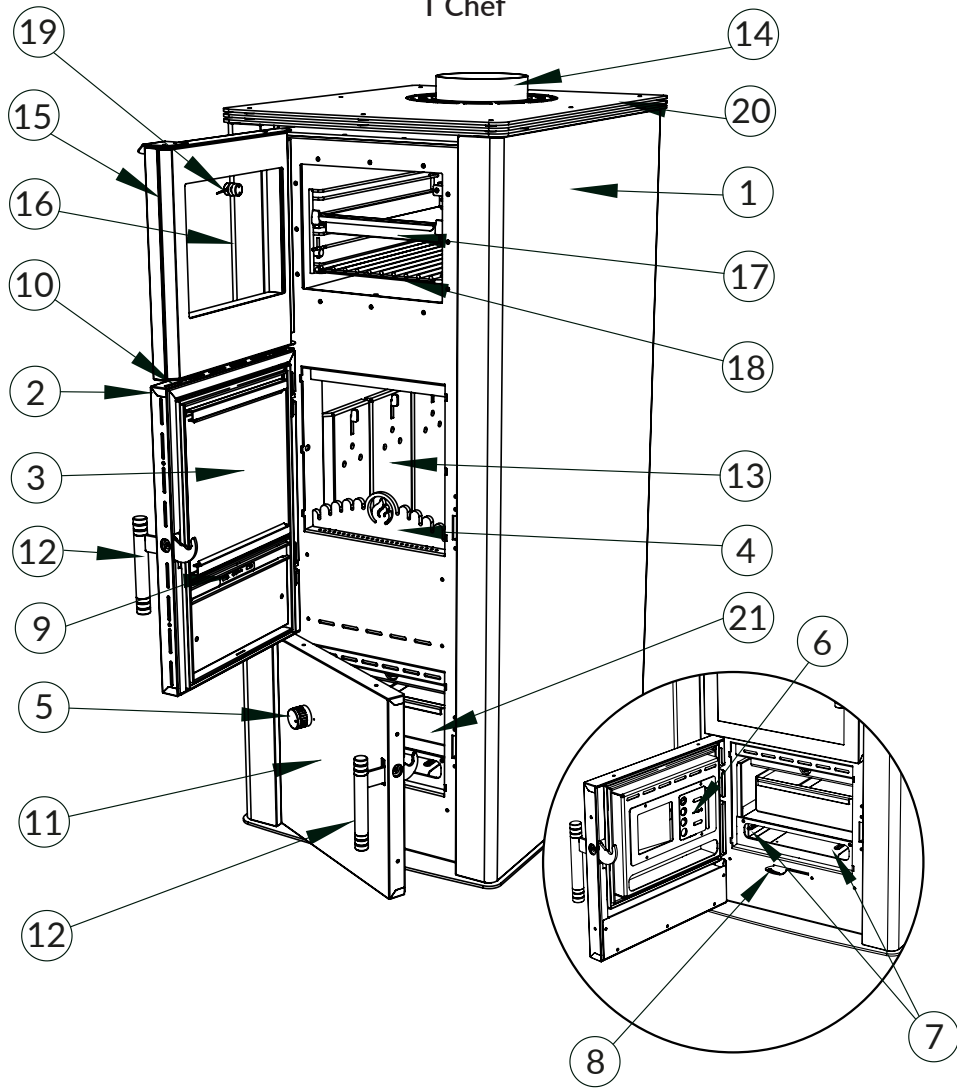
1.6 PARTS OF THE THERMOSTOVE



Picture 1

- |                                   |   |                  |
|-----------------------------------|---|------------------|
| 1 Side                            | 7 Secondary air regulator                 | 13 Frontal panel |
| 2 Fire door                       | 8 Air intake lever                        | 14 Boiler        |
| 3 Fire door glass                 | 9 Cleaning glass air regulator            | 15 Flue outlet   |
| 4 Flame keeper                    | 10 Auxiliary cleaning glass air regulator | 16 Cap           |
| 5 Primary air regulator           | 11 Ash door                               | 17 Ash drawer    |
| 6 Auxiliary primary air regulator | 12 Door opening lever                     |                  |

T Chef



Picture 2

- |                                   |   |                    |
|-----------------------------------|---|--------------------|
| 1 Side                            | 8 Air intake lever                        | 15 Oven door       |
| 2 Fire door                       | 9 Cleaning glass air regulator            | 16 Oven door glass |
| 3 Fire door glass                 | 10 Auxiliary cleaning glass air regulator | 17 Baking pan      |
| 4 Flame keeper                    | 11 Ash door                               | 18 Grill           |
| 5 Primary air regulator           | 12 Door opening lever                     | 19 Thermometer     |
| 6 Auxiliary primary air regulator | 13 Boiler                                 | 20 Cap             |
| 7 Secondary air regulator         | 14 Flue outlet                            | 21 Ash drawer      |

## 2 INSTALLATIONS

### 2.1 GENERAL NOTES

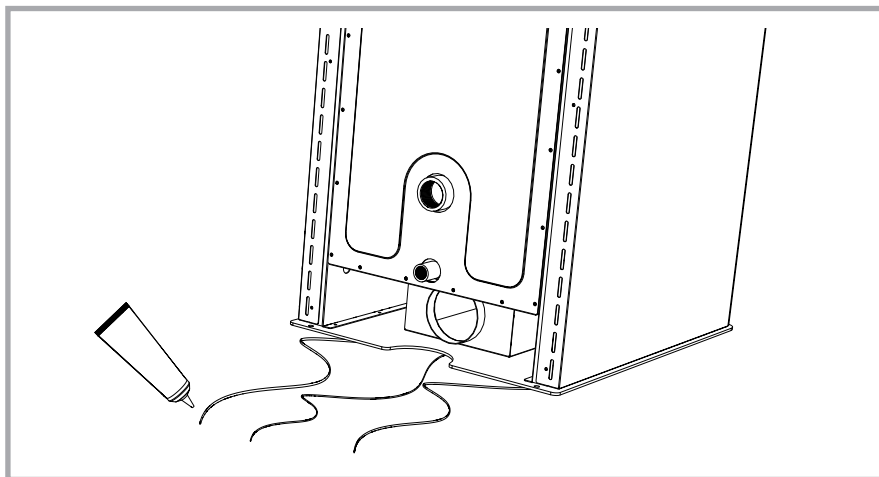
The thermostove must be installed by experienced people according to the specific technical laws. In particular it is important to pay attention to the connection to a suitable heating system and to the chimney, which must be suited and dimensioned according to the device. When placing the stove, you must pay attention to prevent damages. Do not drag the thermostove, move it always keeping it lifted from the floor. Do not lift the thermostove by handles. If there is furniture near the stove, be sure the minimum safety distances in case of inflammable or sensible to high temperatures materials according to the technical data (see chap. 7.2).

### 2.2 PLACEMENT

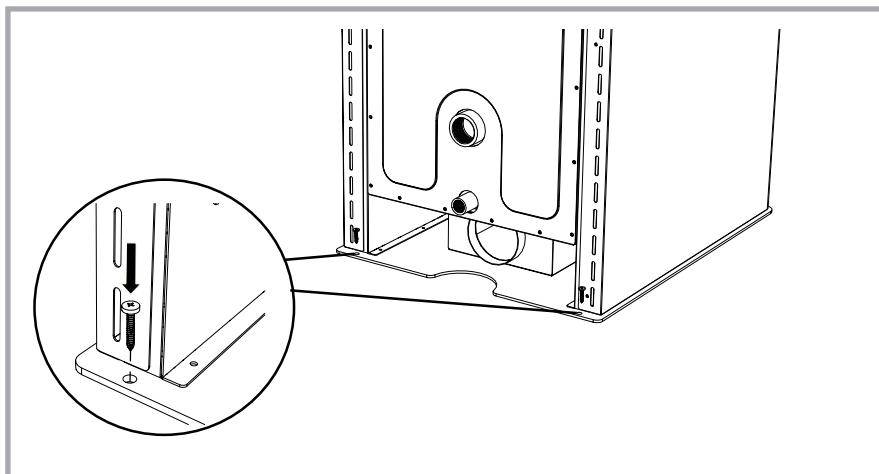
In case of floor made of inflammable materials it is necessary to put a fire-proof protection on the floor in front of the fire door. The protection must extend for a minimum of 80 cm in front and for a minimum of 30 cm sideways over the fire door. The device must be placed on a floor with enough load capacity. If the existing building does not satisfy this condition, you must adopt different solutions (for example you can use a plate to distribute the load).

During the installation it must be considered the stability of the device. If necessary, it is possible to regulate the levelling pins to level the device (see picture 3).

To improve the stability it is possible to fix the thermostove to the floor with silicon or with two screws placed in the rear part of the thermostove itself.



Picture 3 - Fixing of the thermostove to the floor with silicon.

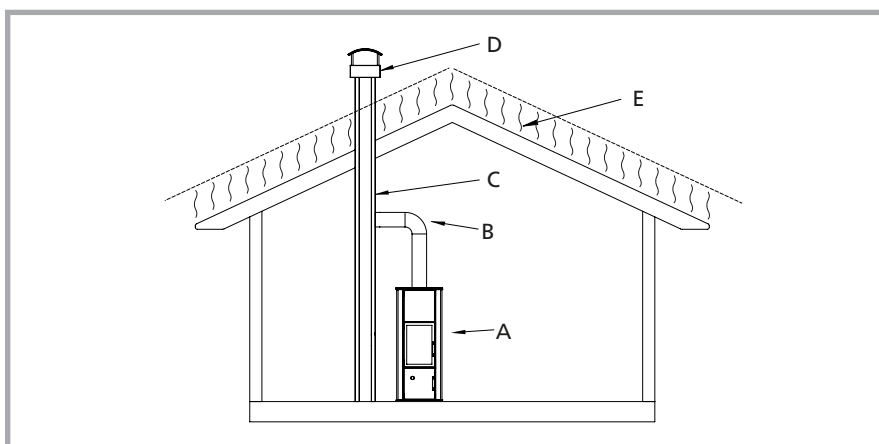


Picture 4 - Fixing the thermostove to the floor with screws.

### 2.3 CHIMNEY

Chimney has a main importance for a correct working. Wood fired thermostoves are built to insure the maximum efficiency, anyway the performances of the thermostove are deeply influenced by the chimney. If the chimney has defects or does not match the building laws, it is not insured the correct working of the device. To build the chimney you must use suitable materials, made to work with high temperatures and according to fireproof laws: it is not important the kind of material, on condition that it is right and that the chimney is isolated.

Contact a specialized technician or a local chimney sweeper for any problem dealing with the chimney, chimney hood and connection to thermostove.

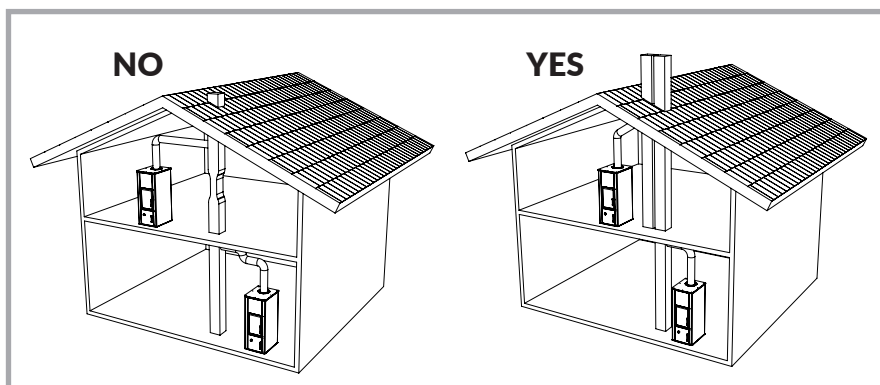


Picture 5 - Components of the chimney. A= stove, B= conjunction, C= flue, D= chimney, E= reflow zone



## 2.4 DIMENSIONS AND CORRECT FORMS OF CHIMNEY

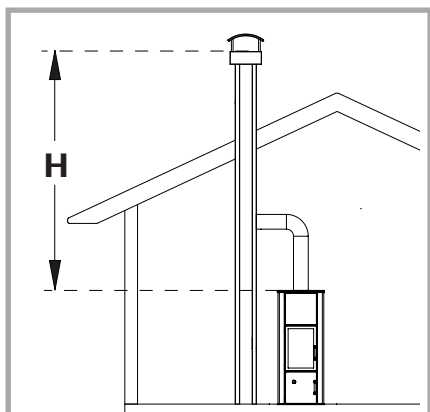
Chimney must be dimensioned in a correct way according to the type of thermostove it is connected with, minding the environmental and general conditions of the place in which it is placed. The section of the chimney must permit the flow of the fumes produced by the thermostove without difficulties, but it must not be too big otherwise the chimney will experience problems in heating itself and this may generate problems like weak draft and condensation. In table 1 it is indicated the recommended diameter for the flue according to the height of the chimney. The height of the chimney must be enough to insure the draft necessary. Bigger is the height of the chimney, bigger is the draft; if the chimney is lower than 4 metres, the correct working of the thermostove is not insured. The chimney must not have tortuous parts, horizontal parts or counterslope parts; the number of bends must be reduced to minimum. In picture 6 you can see some examples of good and bad chimney connection.



Picture 6 - Samples of correct and incorrect chimney connection.

Model	T Series
∅ entrance	150 mm
∅ flue H < 4m	Draught not guaranteed
∅ flue 4m < H < 6m	180 mm
∅ flue H > 6m	160 mm
Necessary depression	13 Pa

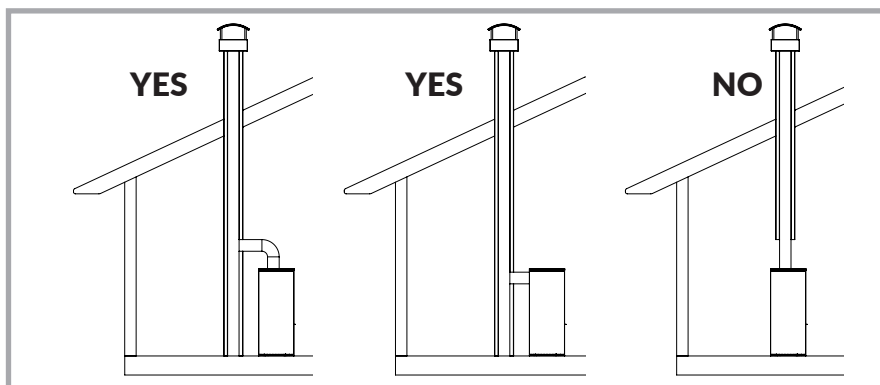
Table 1 - Indications for the dimension of the chimney according to its height.



Picture 7 - H dimension for the sizing of the flue

## 2.5 CONNECTION TO THE CHIMNEY

For a correct installation and to simplify maintenance and cleaning operations, it is strongly recommended to connect the Rizzoli T thermo stoves so that the fitting (or smoke duct) has a 90° bend before entering in the chimney. The flue must be set up at the base with its own collection chamber, which can be inspected through a door for maintenance and cleaning. With this installation method, any soot / creosote inside the flue is prevented from ending up inside the appliance. If the chimney is not properly maintained, the amount of accumulated soot can considerably decrease the section of the internal smoke path, causing possible malfunctions in the stove.



Picture 8 - Connection to the chimney.

## 2.6 FLUE

The flue must be well isolated and circular if possible. The flue must not have defects, narrowings or losses. All the inspection doors must be closed and well sealed. The connection of other devices to the same chimney is not allowed.

## 2.7 CHIMNEY POT

The chimney pot must have an exit section doubled than the one of the chimney, in order to make easier the exit of the smoke. The chimney pot must be enough tall to lean out over the reflow zone generated by the roof: if you are not sure about this contact experienced technicians. If you are in a windy place, it might be necessary to install windproof devices.

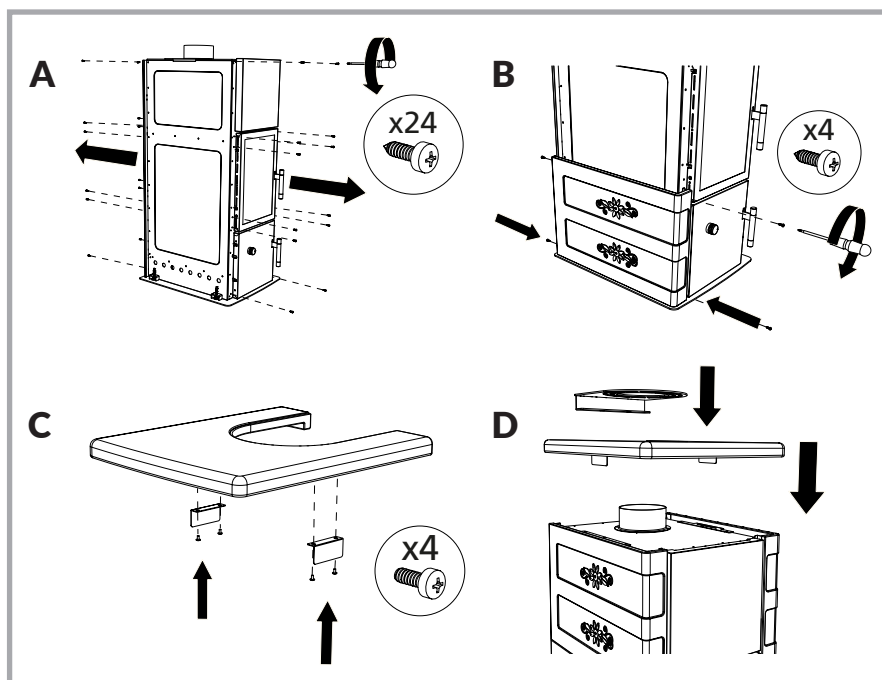
## 2.8 CONJUNCTION

The conjunction of the thermostove to the flue must be as short as possible and must not have horizontal or not much inclined parts. The counterslope parts are forbidden and must be absolutely avoided.

Near the conjunction, inflammable materials must not be present. The conjunction must not go inside the flue. To increase the safety of the conjunction, we suggest to install a washer on the wall being sure that the connection between the washer and the chimney is walled and well sealed. Also the connection between the thermostove and the conjunction must be fixed and sealed.

## 2.9 SIDES FIXING (X ART AND X ROCK SERIES)

The device with T Art and T Rock finishes are delivered with the sides unfixed, inserted in a separated package. Before the final placement of the device, it is necessary to fix the covering of the sides. First of all, it is necessary to release the 24 fixing screws (see picture 9). On each side, the lower part must be interlocked before the upper one. Then, fix on the cap the metal sheets necessary for the fixing of the cap itself to the body of the thermostove. Finally, it must be fixed the cap of the thermostove together with the steel sheet of the flue outlet.

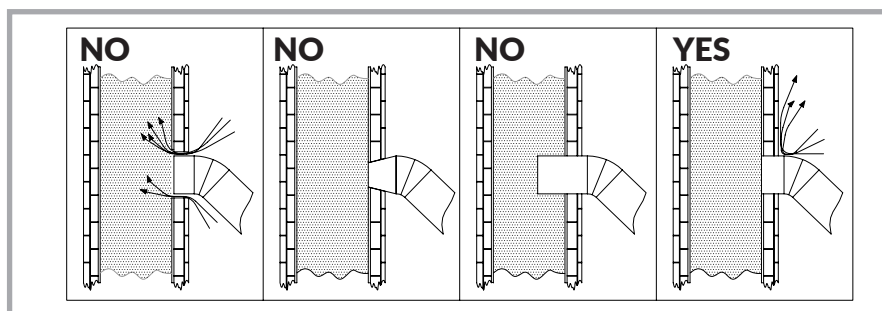


Picture 9 - Fixing of the covering elements of the sides and the cap of the stove (X Art and X Rock Series).

## 2.10 CORRECT CONJUNCTION TO THE CHIMNEY

If the conduct of the chimney starts from a lower floor than the connection point of the thermostove, it may be necessary to close the conduct under the connection pipe with fireproof materials.

The connection with the chimney must be always well fixed and sealed, it must not have narrowing and must not decrease the usable section of the chimney (see picture 10). If near the stove there is inflammable material or high temperatures sensible, the connection must be isolated and the safety distances must be strictly observed.

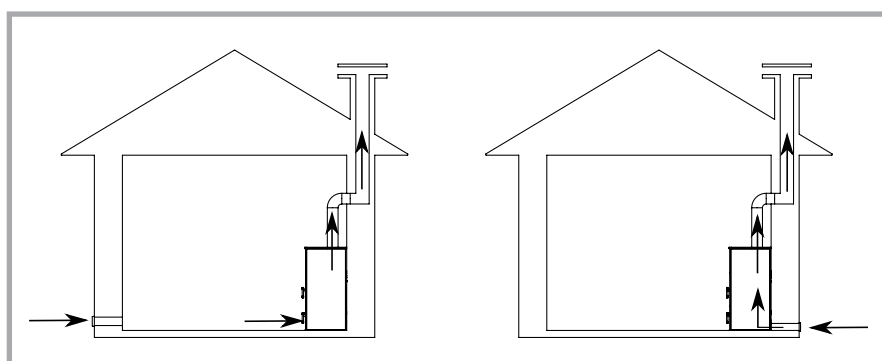


Picture 10 - Examples of correct and incorrect connection of the chimney

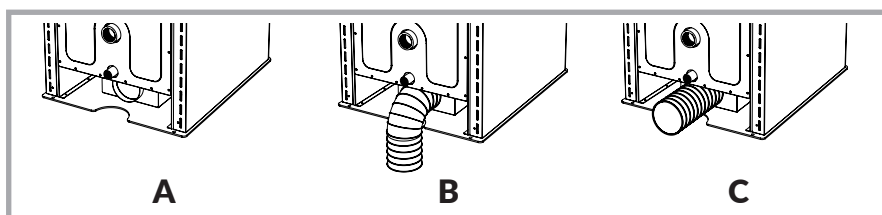
## 2.11 AIR INTAKE

The standard installation of the thermostove considers that the oxidising air is taken directly from the room where the stove is installed. In this case, in the room must be always ensured the recycle of fresh air, in particular if the room is small and window and door frames are hermetic. The correct flow of air in the room must be ensured also in presence of other combustion based devices, aspiring hoods, chimneys and vent-holes. The air intake in the room must have a minimum surface of 80 cm<sup>2</sup>, in order to warrant a maximum depression of 4 Pa in the place of installation.

The wood fired thermostove can also be connected so that the oxidising air comes directly from outside. In this way, for the thermostove it is not necessary another air intake in the room of installation. To make this it is necessary to prepare a conduct connected directly with the external part of the house and make a direct connection with the air intake of the stove. The air intake of the stove is located in the lower part. For the connection, we suggest to use a flexible pipe.

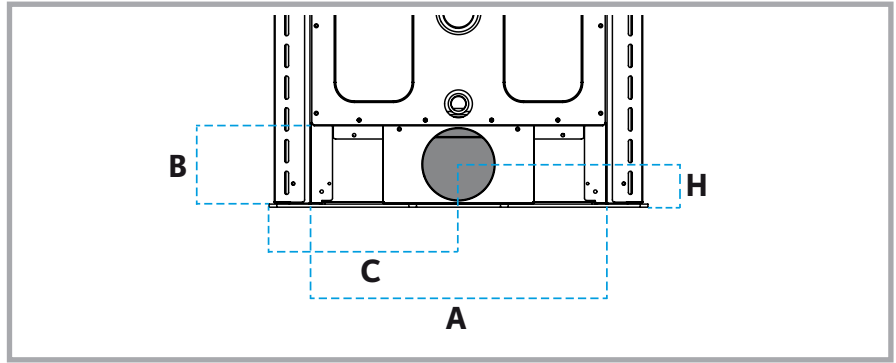


Picture 11 - Installation with air intake in the room of installation and installation with air intake directly connected to the thermostove.



Picture 12 - Possible connections of the air intake of the thermostove. A = External air intake not connected B = External air intake on the floor C = External air intake on the wall

To make the connection easier we suggest to make the external air intake on the floor in correspondence with the thermostove, or on the wall through the rear part of the stove (see picture 13 and table 2).



Picture 13 – Rear sight of the thermostove and specifies for the connection with the air intake.

Models	A	B	C	H	Ø
T Basic	382	100	245	56	95
T Chef	382	100	245	56	95

Table 2 - Dimensions for the connection of the external air intake. Dimensions in mm.



**WARNING!** Aspiring hoods or extracting air fans in the room may generate problems to the device if there is not a suited air intake or in case of air intake sub-dimensioned.

## 2.12 FIRST LIGHTING

Before starting to use the thermostove, remove the packaging materials in the device. Be sure that the thermostove is connected to a working heating system with water inside the boiler. We suggest to make a first lighting of the device just to verify the correct installation. The first lighting must be done with moderate fire, using little wood broken in small pieces. In the next lightings you can progressively increase the load of combustible. During the first lightings some smell due to processing residuals might happen. This phenomenon is normal, it requires the ventilation of the room and will disappear quic.



**WARNING!** During the first lightings of the thermostove T-Chef model it is recommended to keep the oven door open to allow the expulsion of eventual working residuals, otherwise the thermostove could suffer damages.

## 2.13 SETTLEMENTS

All the refractory materials inside the stove experience a settlement process that may generate small holes on the bricks, such holes do not preclude anyway the working of the stove. Other settlements may involve other parts of the stove so during the heating and cooling phases you might hear light noises. These symptoms do not absolutely preclude the use of the stove and fade out till disappearance with the constant use of the stove. During use, the frame may show some deformations, caused by normal sudden changes in temperature and which do not compromise the functionality and duration of the appliance.

# 3 HEATING SYSTEM

## 3.1 GENERAL NOTES

The thermostoves are endowed with boiler to use the heating produced by the device through a system with fluid vector for heating and for the production of hot water. The system must be designed according to UNI 10412-2:2006 law by a qualified thermal technician and must be installed by experienced people according to existing laws in particular to UNI 10683:2005 law. The thermostoves are endowed with all the necessary predispositions for a correct installation, every external component (as pumps, valves, acoustic alarms, pressure switches) must be obtained by third parts according to the specifics of designer and installer.

## 3.2 INSTALLATION MODES

The technical law (UNI 10412-2:2006) has introduced the possibility to install the solid combustion based devices matched with devices with closed expansion tank, endowed with thermal discharge with emergency exchanger inside the boiler. T Series thermostoves are endowed with all the predispositions for the thermal discharge. T Series thermostoves can be installed with open expansion tank, in this case you should use the going connector to connect also the safety pipe and the return connector also for the pipe of discharge. The thermostoves may also be installed with closed expansion tank making the thermal discharge system and then connecting the connectors as described forward.

## 3.3 CONNECTIONS TO THE HEATING SYSTEM

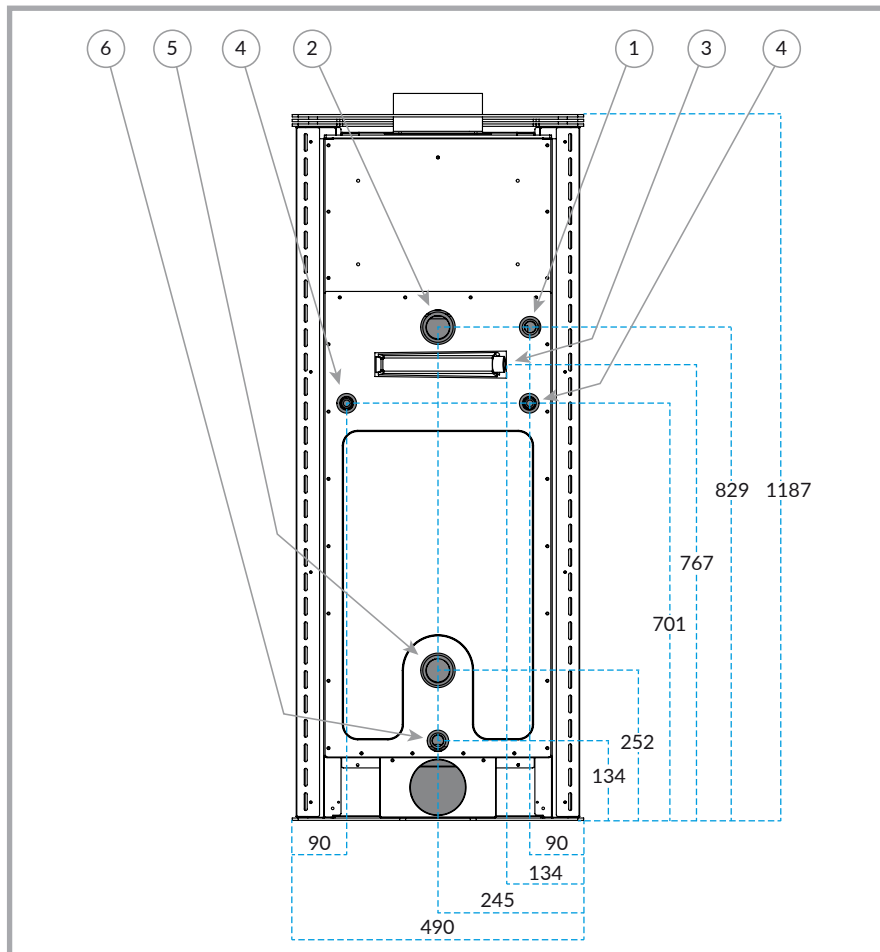
Before the lighting of the thermostove it is necessary to make the connections to the heating system. The use of the thermostove with empty or not connected to the system boiler causes the irreversible damaging of the boiler itself.

Anyway, it is necessary to connect the going connector, the return connector and the discharge connector (necessary to empty the boiler in case of maintenance), the other connectors according to the kind of system that you make could be not necessary and so in this case you can cover them.

In some installations, for example on the wall, it is suggested to predispose an apposite niche in correspondence of the connections and to connect the thermostove with flexible pipes. In the presence of large systems or storage tanks, boilers or puffers, it is absolutely recommended to install a specific anti-condensation valve, calibrated at 55 ° C, which acts as a bypass between the storage and the appliance. Alternatively, systems with heat exchanger can be envisaged. The application of the anti-condensation valve is always recommended for each type of system.

CAPTION

- 1) Connection detector of auxiliary thermostat (optional) Ø ½" F
- 2) Going connection Ø 1"¼ F
- 3) Bulb for thermal discharge detector (optional) Ø ½" F
- 4) Connection for thermal discharge circuit (optional) Ø ½" M
- 5) Return connection Ø 1"¼ F
- 6) Connection discharge Ø ½" F



Picture 14 – Placement of the boiler connections.

### 3.4 THERMOSTAT

T Series thermostoves are endowed with thermostat to control the working of the pump. The thermostat, or a control unit with the same function, must be always used when there is a circulation pump in the system. The thermostat must be placed outside the device with the temperature detector inserted in an appropriate hole in the rear part of the thermostove. The thermostat must guarantee that the pump works when the boiler hot water temperature overtakes the set temperature.



**WARNING!** For a longer duration of the boiler of the thermostove, you must not make circulate the water with temperatures lower than 55-60° C. Lower temperatures generate acid condensation and gas-black on the walls of the boiler.



**WARNING!** The detector holder shall not be longer than 100 mm inside the boiler.

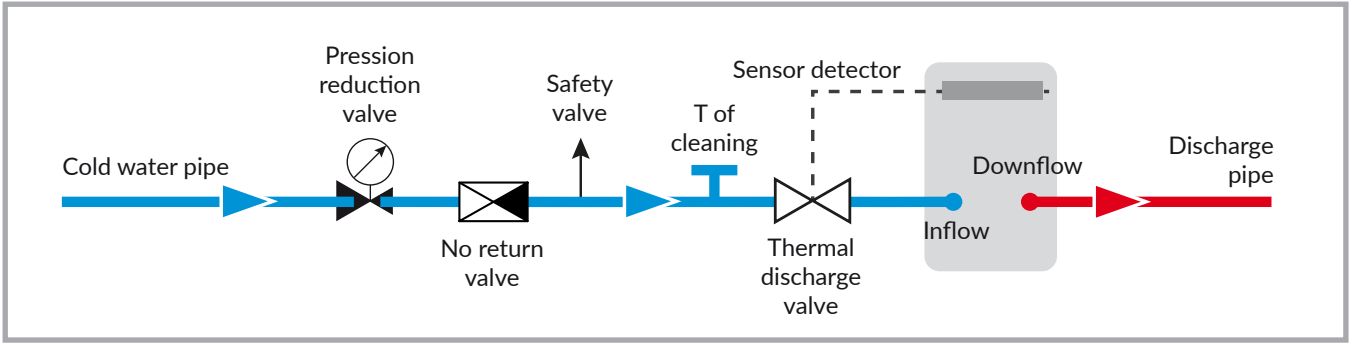
### 3.5 SAFETY

On every solid combustibile based boilers it is not technically possible to break the combustion immediately as happens for boilers based on liquid or gas combustibile according to necessity. For this reason, it is mandatory to swallow always the produced heating also even if the heating system does not request that and also in case of lack of AC power. On contrary, the water in the boiler could boil without possibility of outlet, with serious danger of explosion of the boiler and serious injury risk for the people present near the thermostove. For this reason, we recommend to follow strictly what is written in UNI 10412-2 law in the various cases and we suggest also to insert in the system also a boiler able to accumulate the heating in excess produced as sanitary hot water.

### 3.6 THERMAL DISCHARGE

The thermal discharge system allows to cool directly the boiler when it is necessary by making flow cold leaking water in a separate circuit inside the boiler. The making of the thermal discharge system is under responsibility of the installer. To make this auxiliary system it is necessary to make the going and return connections, that are interchangeable, the detector that rules the device must be inserted in the apposite connection bulb. The system, to be effective, must be able to work and must have availability of cold water also in case of lack of AC power. The safety devices must be accessible also after the installing for the maintenance and the functional verify. The functional verify must be done regularly: we suggest at least once a year. The thermal discharge circuit must not be used for the production of hot water for domestic use.

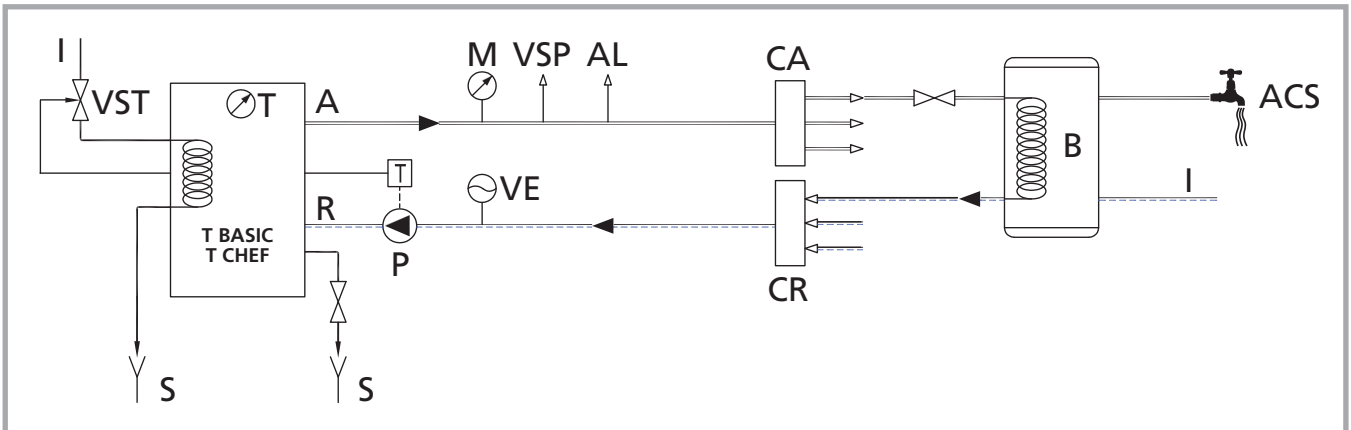
On demand, Rizzoli can give a thermal discharge valve appropriate for the use with its thermostoves.



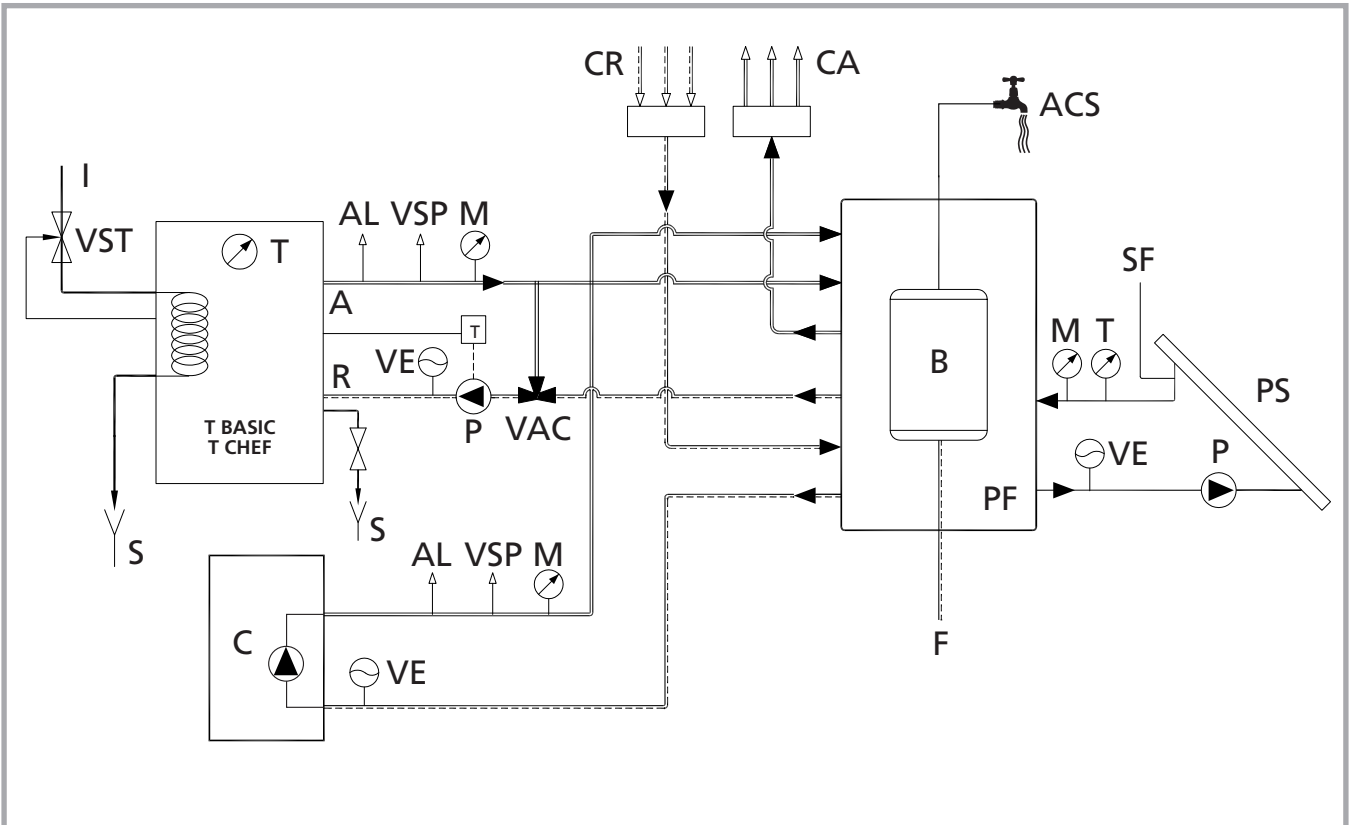
Picture 15 - Thermal discharge circuit scheme.

### 3.7 EXAMPLES

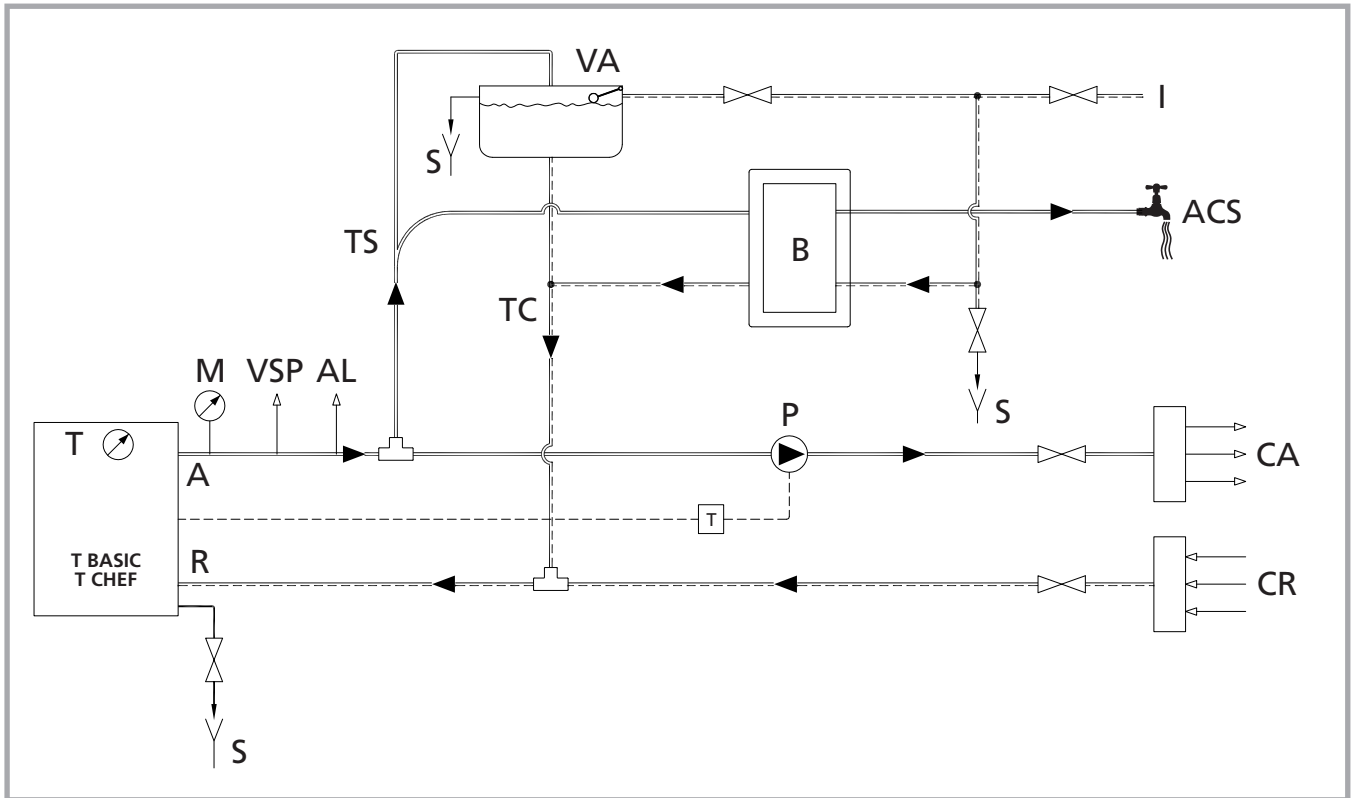
Here are some examples of possible system realization. These schemes are just valid as example and must not be used in the making of the system. Ask always a thermal technician for an installation that best suites your needs.



Picture 16 - Schemes for the installing of a heating system with the thermostove as heat generator.



Picture 17 - Schemes for the installing of a heating system with the thermostove as heat generator.



ENGLISH

Picture 18 - Schemes for the installing of a heating system with the thermostove as heat generator.

CAPTION

—	Hot water	VAC	Anti-condensation valve	R	Return	VST	Thermal discharge valve
- - - -	Cold water	T	Thermometer	VRP	Pressure reduction valve	ACS	Sanitary hot water
M	Manometer	VSP	Overpressure valve	S	Discharge	I	Cold water entrance
P	Circulator	AL	Acoustic alarm	B	Boiler	TS	Safety pipe
VE	Closed expansion tank	TP	T of cleaning	CA	Going header	TC	Loading pipe
T	Thermostat	A	Going	CR	Return header	VA	Open expansion tank

## 4 USE

### 4.1 WORKING

During the working, inside the thermostove happens a combustive reaction of combustible (the wood inserted in the combustion chamber) and combustion (the oxygen present in the air of the room in which the thermostove is placed). The wood fired thermostove makes an intermittent combustion: after the lighting, the combustion goes on till the exhaustion of the combustible but it can be maintained lighted by making another load of combustible and so on. The maintenance of the combustion in time is guaranteed by the correct working of the chimney, which allows to evacuate the fumes and in the same time to feed the flame with combustion air. In this way, the features of the chimney have a big influence on the correct working of the thermostove. The combustion of wood requests that the air flow inside the combustion chamber happens in different points to obtain the maximum efficiency. In particular, it is present a primary air feeding that flows in the lower part of the combustion chamber by the grill, and one or more secondary air feedings that flow in the upper part of the combustion chamber. The primary air is the main air and regulates the combustion speed. The secondary air allows the post-combustion of the fumes, generating further heating, knocking down the amount of harmful gas and so improving both the rendering and the impact on the environment. Once started the combustion it cannot be interrupted in a safe way: it must be always faded out naturally with the exhaustion of all the combustible inserted.



**WARNING!** For the correct working of the wood fired thermostove verify that the passage of combustion air is not obstructed or, in case of connection with external air intake, that the air aspiration grill is not obstructed.

### 4.2 LIGHTING

To light the fire it must be used as combustible well dried thin wood together with specific products available in commerce. If it is used a limited amount of wood or if the wood has been cut too roughly, the combustion chamber will not reach the correct working temperature. At the time of ignition, the fire door must remain in a half-closed position for a few minutes, sufficient time to correctly feed the flame and ensure the necessary draft of the chimney. A difficult combustion can produce soot in excess or the exhaustion of the flame when the fire door is closed. The combustion might be difficult until the chimney is hot. The necessary time depends on how the chimney has been made and the weather conditions.



**WARNING!** It is important that the wood starts to burn quickly. The lighting of a big amount of wood in starting phase can cause an excessive production of smoke and a quick gas emission with consequent damage to the stove.

### 4.3 AIR REGULATION

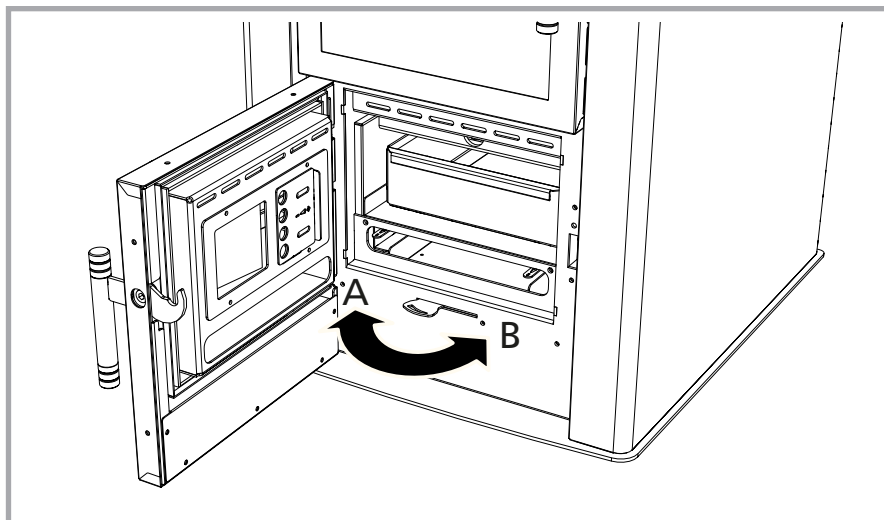
On T Series thermostoves there are three air regulations: external air intake lever, primary and two primary air regulations.

The entrance of combustion air inside the thermostove is regulated by a valve ruled by a lever placed below the fire door. The valve is closed in the right position while is open in the left position. To regulate this device, see picture 19.

The primary air regulator, located in the front of the thermostove, is ruled by a graduate hand grip which regulates the combustion speed. Low values ensure less power and bigger autonomy. High values ensure more power and less autonomy. The regulator is automatic and maintains steady the heating produced by the thermostove.

The auxiliary regulation for primary air, located in the ash door, allows the entrance of further combustion air in the fire chamber, always taken from the air inlet. The valve is closed in the right position, it is open in the left position (see picture 20B). This regulation is useful in presence of chimneys with poor draft or in the cases in which a bigger amount of primary air is needed.

When the thermostove is cold, we suggest to close the lever below the fire door and set the primary air regulator to value 0 and close the auxiliary primary air regulation, in order to limit the undesired air flow that may cause an anticipated cooling of the device and the room. This operation is particularly important when the external air intake of the thermostove is directly connected. Generally, for an optimal working of the device, it is suggested to follow the indications for the regulation of air reported in table 3.



Picture 19 – Regulation of the air intake lever. The valve is open in correspondence of the position indicated by letter "A" while it is closed in the position indicated with letter "B".

Condition	Air intake level	Draft regulator	Grill
Starting	Open	Open	-
Fast heating	Open	Open (7/8)	Low
Slow heating	Half open	Half open (3/4)	Low

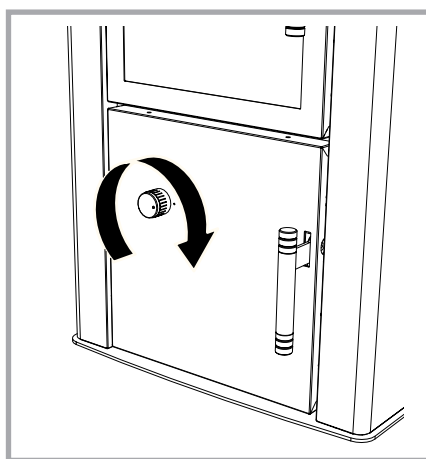
Table 3 – Regulations of the thermostove according to the different usages.



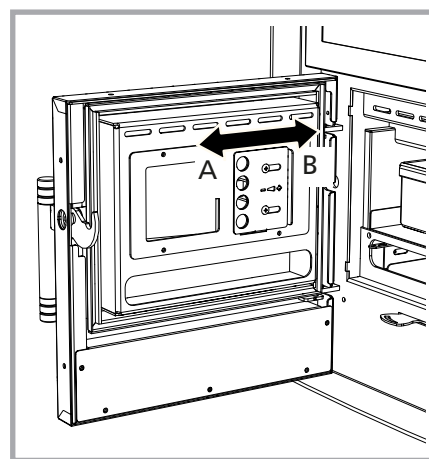
**WARNING!** When loading wood, consider a gap of few millimetres between wood and glass, in order to avoid overheating of the glass that could cause breakings.

The regulation of the combustion air must be fully opened during the first minutes of combustion, then if slower combustion is desired, the entry of air can be reduced by acting on the primary air lever. The combustion air flow rate also depends on the temperature in the combustion chamber and on the actual draft. The nominal power of the thermostove is obtained with 6-7 logs with a total weight of 7 kg and a length of 25 - 33 cm and with 100% combustion air adjustments.

Powering the thermostove with the maximum amounts allowed for long periods can reduce the life of the thermostove, while if the maximum quantities are exceeded, parts of the thermostove may be damaged, voiding the warranty.



Picture 20A – Regulation of primary and secondary air. The regulator opens rolling the hand grip clockwise.



Picture 20B – Auxiliary regulation of the primary air. The valve is open in correspondence of the position indicated by letter "A" while it is closed in the position indicated with letter "B".



**WARNING!** Do not open the fire door during combustion, as otherwise smoke may escape. The thermostove is designed to be used with the closed fire door.

#### 4.4 SECONDARY AIR REGULATION

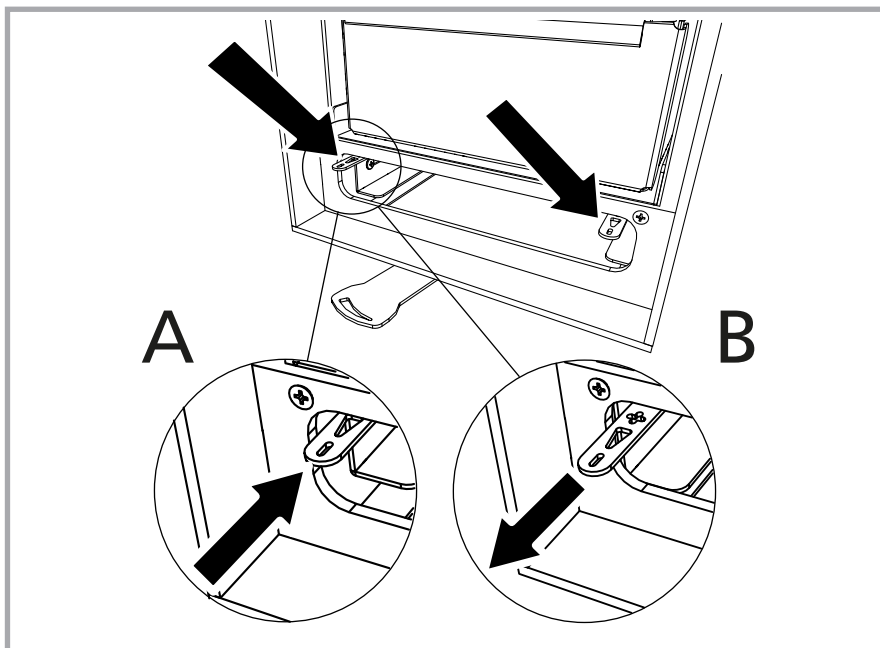
Secondary air is already set to work correctly in standard installation conditions. In case of excessive accumulation of embers in the combustion chamber or in general when it is necessary a bigger quantity of primary air, it is possible to use the additive regulations in the lower vain below the ash vain, accessible by opening the door (see picture 21). The position towards internal is set by manufacturing and it is the one of normal use. The extraction of the door lever closes the flow of secondary air.

On the T series thermostoves there are two fixed air inlets for cleaning the glass, one in the lower part of the fire door and an auxiliary in the upper part.

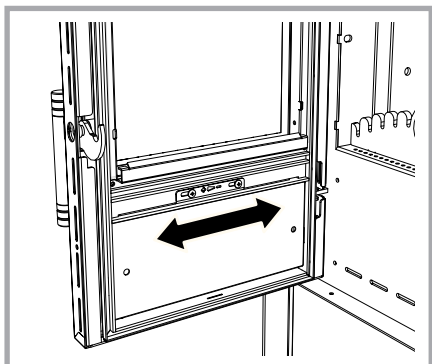
By default both adjustments are fixed and set to their maximum opening, so as to allow optimal combustion and maintenance of the clean glass of the fire door.

In the particular case in which the thermostove is installed on a chimney characterized by a particularly high draft, there could be an influx of excessive air not limited by the draft regulator. In these cases it is necessary to partially restrict the air passages, as shown in figure 22 and 23, so as to compensate for the excess of draft. As a rule these adjustments must be made, if necessary, only during installation.

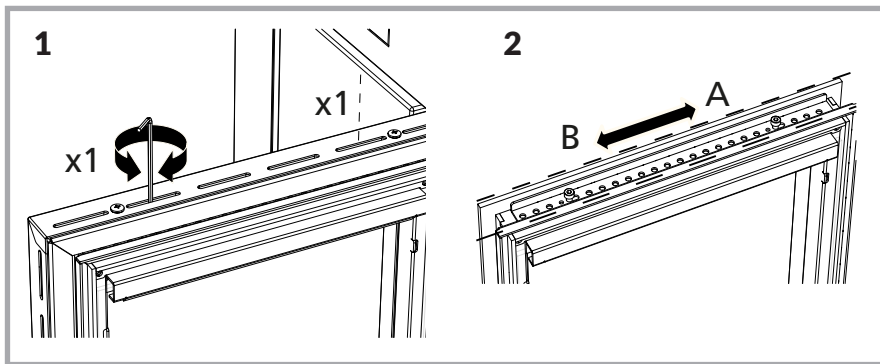
The adjustment procedure is as follows: open the fire door, loosen the fixing screws, slide the adjustment plates and then fix the screws again. The adjustment plate slides horizontally and opens or closes the passage of air according to the indicated direction. It is recommended not to close the passage of air completely, because this could lead to irregular operation which could dirty the glass.



Picture 21. - Secondary air regulation: the regulation is open in correspondence of the position indicated with letter A (bigger inflow of secondary air than primary air), while it is closed in correspondence of the position indicated with letter B (bigger inflow of primary air than secondary air).



Picture 22 - Air adjustment for glass cleaning.



Picture 23 - Auxiliary air adjustment for glass cleaning: the plate is open at the position indicated with the letter A, while it is closed at the position indicated with the letter B.

#### 4.5 OVEN COOKING (T CHEF SERIES)

The internal temperature of the oven depends on the combustion speed and on the amount of combustible used. In particular, working on the lever of the air intake and so on the speed combustion, you can obtain a more steady combustion in order to avoid sudden changes in temperature inside the oven. If you want to heat the oven starting from cold device, we suggest to increase the temperature with bright fire and then to decrease the speed combustion to keep the temperature steady. The thermostoves are endowed with fire door with glass and thermometer that makes easier the temperature controlling operations; the temperature indicated by the thermometer is approximate and is useful only for the cooking of foods. When you do not use the oven, we suggest to keep the oven's door slightly open in order to let the heat go outside the thermostove: an overheating can damage the stove.

For example, to cook the spineless person biscuits in a correct way, it is necessary the pre-heating of the oven at a temperature indicated on the thermometer of 150°, keeping it in temperature by adding more or less 1 Kg of wood for every charge as the reaching of the coals. Once the temperature becomes stable, insert the baking-pan with the biscuits in the central position in the oven for 10 minutes, then extract the baking-pan, rotate it and reinsert it again in the central position for other 5 minutes. In the end, remove the baking-pan from the oven and leave cool the biscuits.

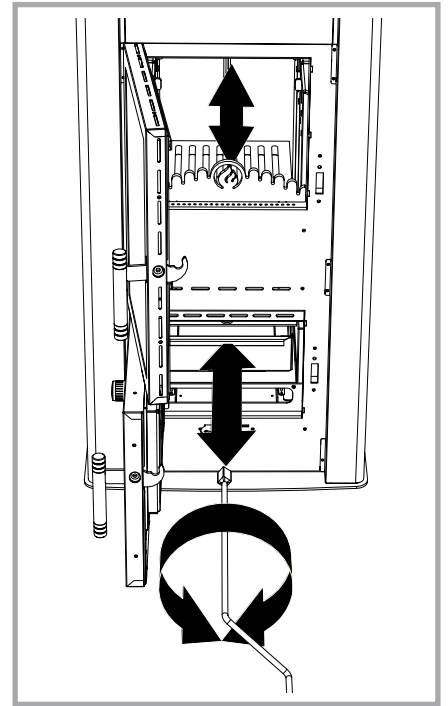


**WARNING!** Some components of the thermal stove (for example gaskets) could be damaged due to excessively high temperatures inside the oven. When it is not used for cooking food, it is recommended to keep the oven door slightly open, in order to take advantage of the additional heat produced by the thermal stove and avoid possible damage. Any damage is not covered by the warranty.



#### 4.6 GRILL REGULATION

The thermostoves are endowed with an height adjustable grill which allows to adjust the combustion chamber's dimensions according to user's needs. The upper position allows to exchange less power to the heating system and, in T-Chef models, to increase the temperature of the oven quickly. The lower position instead allows to have a more capacious combustion chamber and so to have more autonomy, it is the best solution to keep the room warm for a longer time. The grill must be regulated with cold thermostove using the special tool given together with the thermostove, the connection point to regulate it is placed inside the ash drawer.



Picture 24 - Regulation of fire grill's height

#### 4.7 STEAM EXCESS VALVE (T CHEF SERIES)

Cooking food in some cases may result in excess steam forming inside the cooking oven. On the T Chef model there is a valve to eliminate excess steam. The valve is placed inside the oven on the side wall towards the outside and, if necessary, it must be operated so as to open the ventilation holes. To avoid possible burns it is recommended to operate the valve only before the ignition of the thermo-stove.

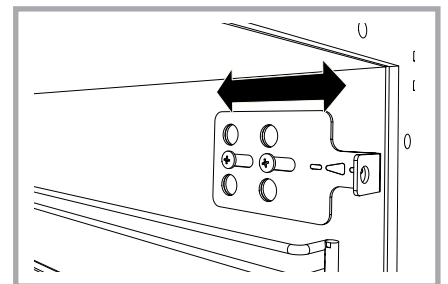


Figure 25 - Steam excess valve.

#### 4.8 TILE WITH SLIDING GUIDES (T CHEF SERIES)

The T Chef model is supplied with a sliding support system for the pan. In this way it is possible to completely extract the pan without the need to support it, thus guaranteeing a better practicality of use. The sliding guide is present only in one position inside the oven, but this can be modified, bringing it to the lowest position or in the upper and upper middle positions. The procedure for changing the position of the sliding guide is shown in figure 26.

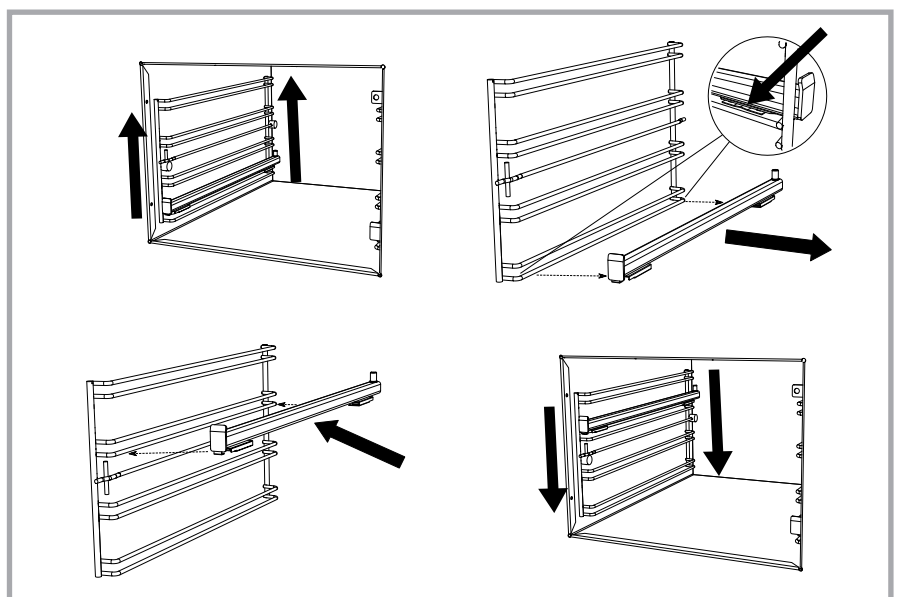


Figure 26 - Procedure for changing the position of the sliding guide.

#### 4.9 BAKING-PAN HOLDER (T CHEF SERIES)

The baking-pan holder allows to extract the baking-pan in a safe way, with no need to use rags or hot pads. The baking-pan holder must be hooked to the baking-pan edge and used with two hands.

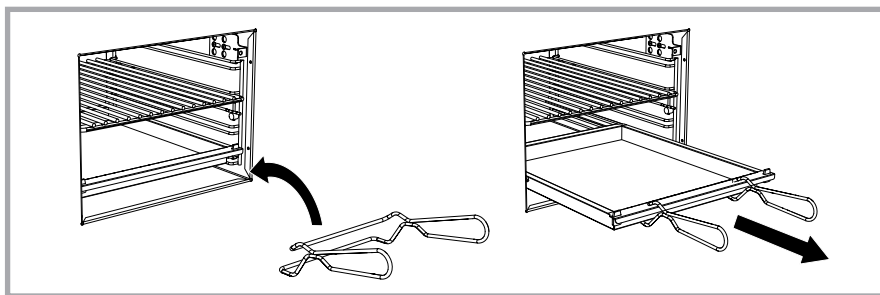


Figure 27 - Baking-pan holder.

## 5 MAINTENANCE

### 5.1 CLEANING

The thermostove works better if all its parts are without combustion residuals, a clean thermostove will be less exposed to problems due to wear. Cleaning frequency depends on how much and how the stove is used, as well as on combustible quality.



WARNING! All these operations must be done with cold stove.

### 5.2 MAJOLICA OR NATURAL STONE CLADDING (T ART AND T ROCK SERIES)

Majolica claddings are products of high craftsmanship and it is normal that they may have micro-dots, cracks, shades, shadows and any other imperfections / chromatic discrepancies, essentially due to the characteristics of the material.

Natural stone claddings may sometimes have chromatic discrepancies due to the natural grain of the material and a non-uniformity of the product, since the stones are cut and finished manually. These characteristics testify to their precious nature and craftsmanship, making the Rizzoli product unique.



ATTENTION! The majolica or natural stone cladding must only be cleaned when the appliance is cold.

The ceramic coating of the appliance must be cleaned using a soft and dry cloth. In any case, no detergent or liquid should be used for cleaning, so as not to damage the coating itself. The natural stone cladding must be cleaned using a universal degreaser in the affected area, leaving it to act for a couple of hours and then wipe the surface with a wet cloth.

### 5.3 CLEANING THE VISIBLE PARTS

For painted parts, do not use abrasive or aggressive solution. It is also recommended to avoid the use of solvents or denatured alcohol on painted parts.

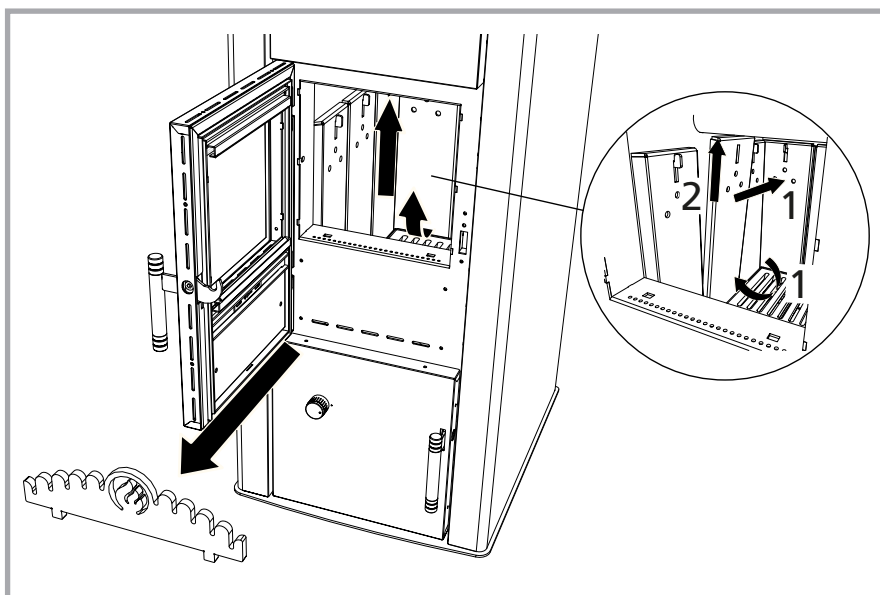
### 5.4 MAINTENANCE OF THE COMBUSTION CHAMBER SHEETS

Inside the combustion chamber of the wood fired thermostove are placed some mobile steel sheets that have a double function: they allow the entrance of the secondary air after-combustion at an optimal height for the reduction of the emissions and they protect the integrity of the boiler acting as protective shield between the flame and the wall of the boiler.

Anytime it is necessary a deeper ash cleaning, when the thermostove is cold it is possible to remove these sheets. To do this, it is necessary to remove the sheets starting from the sides of the combustion chamber and last the ones placed in the rear part, unhooking them from the pin and unthreading them up. The frame on which the plates rest is to be cleaned, so as to prevent the ash from depositing and obstructing the secondary air duct.

To reassembly the sheets it is necessary to do the reversal operation, paying attention to insert them in the correct position and in the correct order, placing in the first time the base and then hooking them to the pin.

The cleaning must be done at least every six months of normal use, like for the chimney sweeping: according to use, you could have to make the cleaning more often.



Picture 28 - Maintenance of the combustion chamber sheets.

### 5.5 GRILL CLEANING

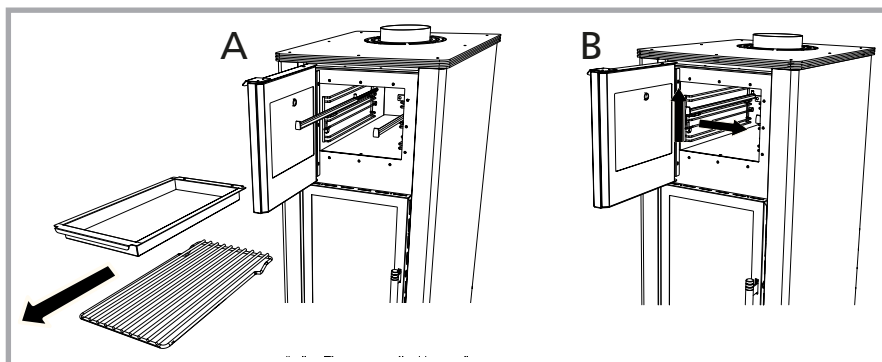
Every time you use the thermostove you have to clean the wood carrying grill before, at least you have to clean the more rough deposits: the holes of the grill should not be obstructed. To make this you can use the poker given together with the thermostove. If the grill is not well cleaned, the flame could not be well feed and so you could experience an irregular combustion. If the grill is being removed, it must be placed in its housing with the flat part turned upwards.

### 5.6 ASH BOX

Every time you use the thermostove you have to check the ash box located under the combustion chamber. When the box is full, you have to empty it, checking carefully that there are not lighted embers. If you do not empty it, the ash accumulates itself and makes the cleaning more difficult. In case of excessive cinders the flame could not be well fed and you could experience an irregular combustion.

### 5.7 OVEN CLEANING (T CHEF SERIES)

Before cleaning it is recommended to remove both the baking pan of the oven. For an accurate cleaning, it is possible to remove also the lateral grills, lifting them up and unthreading them upwards. The oven must be cleaned with products available in the commerce.



Picture 29 - Oven cleaning.

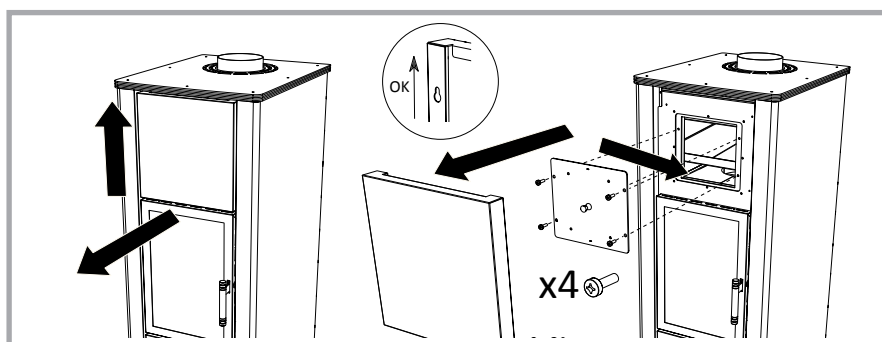
### 5.8 FUME-CIRCUIT CLEANING

Cleaning the fume circuit inside the thermostove must be done in correspondence with the chimney cleaning. With the cleaning, all the deposits of ash and soot are removed. For this reason, it is necessary to use a vacuum cleaner with flexible handle and also terminal small and handy, in order to access easily inside the device. To do this, it is necessary to unfix the chimney connection and then starting with the cleaning from the top. In T-BASIC Series, a further inspection opening allows to make a better cleaning of the fume circuit (picture 29). To do this, remove the inserted dashboard and unscrew 4 screws on the door. Once cleaned, it must be closed tightly so as not to compromise the draft of the chimney.

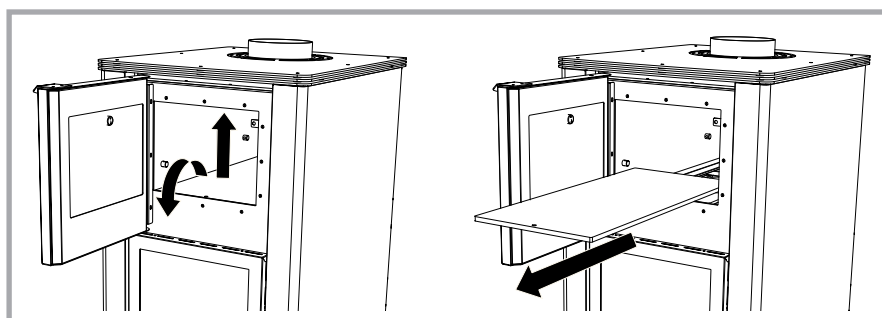
In T-CHEF Series, to allow the removal of combustion deposits below the oven, you have to remove a mobile panel: to do this, open completely the oven door, remove the panel, remove the deposits using the scraper and then close the door, paying attention to not damage the gasket (see picture 31).

In the T Chef Range it is also possible to access the area above the oven more easily: to do this, remove the hat, inserted by interlocking, and then the six wing nuts that hold the door fixed (figure 32).

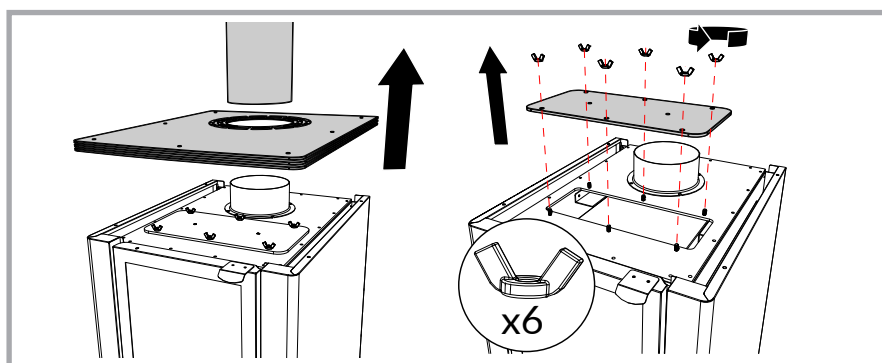
Once the cleaning process has finished, repeat the same operations in opposite way.



Picture 30 - Fume-circuit inspection (T Basic Series).



Picture 31 - Fume-circuit inspection (T Chef Series).



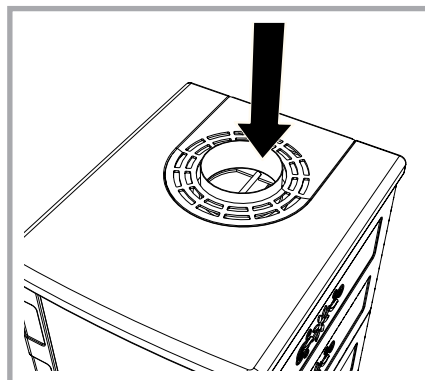
Picture 32 - Fume-circuit inspection (T Chef Series).

## 5.9 CHIMNEY CLEANING

The cleaning of the chimney must be done by experienced technicians at least every six months of normal use of the thermostove.

Anyway, cleaning must be done every time it becomes necessary according to the use or to the combustible used. We recommend to follow strictly all the local laws dealing about chimney cleaning. All the parts of the chimney must be cleaned. Inside the top flue connector, in T Basic Series thermostoves there is a device that blocks the tar pieces eventually falling during the cleaning of the chimney hood, in order to prevent damages inside the thermostove (see picture 33). This device is useful in case of straight chimneys without ash collection points.

Together with the cleaning of the chimney, make also the internal cleaning of the stove, cleaning the fume-circuits. After the cleaning of the chimney, be sure to have closed all the inspections doors in order to avoid draught problems.



Picture 33 - Tar blocking device (T Basic Series).



**WARNING!** If the chimney cleaning is not made as recommended, fire in the flue could happen.

## 5.10 GLASS CLEANING

The glass of the fire door might be dirtied by soot. In case of bad combustion, bad draught or in presence of low quality wood, the glass could become more dirty. The glass doors of the fire door and, in the T Chef Series models, the oven door can be cleaned with the normal specific products available on the market. The internal part of the combustion chamber door has been designed to clean itself during the use of the thermo-stove. Nevertheless, from time to time it may be necessary to clean the glass in contact with the combustion flame.

It is recommended to use a soft rag wet, drying accurately after the operation is done.



**WARNING!** Do not clean the panoramic door before waiting for its cooling. Sudden changes in temperature may cause breakings in the glass.

## 5.11 THERMIC DILATATION

During the use all the materials of the thermostove are subjected to dilatation and light movings due to the temperature variations. This phenomenon must not be prevented otherwise deformations and breakings may occur. For this reason, the spaces that allow the dilatation both internal and external of the thermostove must be kept free and clean.

## 5.12 EXTRAORDINARY MAINTENANCE

Most parts of the thermostove are easy to remove with a simple screwdriver, eventual repairs or modifies will be faster if the concerned piece, directly or by a dealer is sent to our factory. If you need accessories or spare parts, please tell us the serial number of the thermostove indicated in the green booklet given together with the stove. The serial number is indicated also on the rear part of the thermostove.

## 5.13 INFORMATION ON DISPOSAL AT THE END OF LIFE



**WARNING!** Observe the regulations in force in the country where the disposal is carried out. All disassembly operations must be carried out with the appliance switched off.

The demolition and disposal of the appliance are the sole responsibility and responsibility of the owner, who must contact authorized companies for the recovery and disposal of the materials making up the appliance. Adequate separate collection helps to avoid possible negative effects on the environment and health and promotes the recycling of the materials that make up the equipment. Illegal disposal or abandonment of the product by the user constitutes a serious danger to people and animals. The responsibility for any damage to third parties always lies with the owner.

During the demolition phase, both the CE marking and all documents relating to the product, including the instruction booklet, must be destroyed.

## 6 WHAT TO DO IF...

Problems	Effects	Possible solutions
Bad working	Irregular combustion. Incomplete combustion. Smoke comes out of the thermostove	<ul style="list-style-type: none"> <li>• Verify that all air regulations are at their maximum opening</li> <li>• Verify that ash or other residuals do not obstruct the grill</li> <li>• Verify that the grill is not inserted correctly (the flat part is up)</li> <li>• Verify that the place in which the thermostove is situated is well aired and that aspiring hoods or other devices are not working</li> <li>• Verify the correct dimensioning of the chimney and of the entrance of the chimney</li> <li>• Verify that the chimney is not obstructed and that it was cleaned recently</li> <li>• Verify that there are no losses in the exhaust-pipe and in the conjunctions</li> <li>• Verify that no other devices are connected to the flue</li> <li>• Verify that the chimney suites the position in which it is situated, in windy places you could have to install an anti-wind chimney</li> <li>• Verify that the combustible is right, dry and of good quality</li> <li>• Verify that the chimney does not go on under the connection of the thermostove</li> </ul>
Bad working	Bad working due to bad weather	<ul style="list-style-type: none"> <li>• Allow the flow of air in the room</li> <li>• Open slightly the ash door when you start the thermostove</li> <li>• Eventually, use a windproof chimney-pot</li> </ul>
Fire	The chimney and other parts near the thermostove take fire	<ul style="list-style-type: none"> <li>• Close all the air regulations of the thermostove</li> <li>• Close doors and windows of the room in which the thermostove is placed</li> <li>• Call the firemen</li> </ul>
Overheating	The thermostove overheats. In T Chef Series thermostoves oven's thermometer is over 300° C	<ul style="list-style-type: none"> <li>• Close all the air regulations and if it is necessary open the oven door</li> </ul>
Heating of oven is weak (T Chef Series)	The oven does not reach high temperatures (T Chef Series)	<ul style="list-style-type: none"> <li>• Verify that oven door is well closed</li> <li>• Set all air regulations to their maximum opening</li> <li>• Use good quality wood, well dried and little patched</li> <li>• Verify that combustion has strong flame</li> <li>• Verify that the fume circuit is clean and not obstructed</li> <li>• Verify that the circulator thermostat is set to 55°C-60°C</li> </ul>
Condensation	Condensation is created inside the thermostove; it may be caused by humidity inside the walled parts. After the first lightings it is normal the creation of some condensation inside the new thermostove.	<ul style="list-style-type: none"> <li>• Verify to use good and well seasoned wood</li> <li>• Verify that the chimney has not imperfections</li> <li>• Verify that the chimney is well isolated</li> <li>• Verify that the chimney is not over dimensioned</li> <li>• Verify that the thermostove had the time to dry and to balance itself</li> <li>• Verify that the circulator thermostat is set to 55°C-60°C</li> </ul>
Condensation in combustion chamber	Condensation is created on the walls of the boiler, a layer of soot hard to remove is created on the walls of the boiler.	<ul style="list-style-type: none"> <li>• Check the activation temperature of the circulation pump, it must not be less than 55-60 ° C</li> <li>• If there are large storage tanks for hot water, it is advisable to install a valve or an anti-condensation system</li> <li>• Check the correct position of the sheets in the combustion chamber</li> </ul>
Lighting failed	It is not possible to light the thermostove	<ul style="list-style-type: none"> <li>• Air the place</li> <li>• Set all air regulations to their maximum opening</li> <li>• Use well dried wood</li> <li>• Burn specified product existing in commerce</li> <li>• Verify that no other combustion based device is working in the same room.</li> <li>• If necessary, open slightly the ash door for the time necessary for a safe lighting.</li> </ul>
Dirty glass	The glass of the fire door gets dirty.	<ul style="list-style-type: none"> <li>• Check the settings of the glass cleaning air and, if necessary, open them more</li> <li>• Check the draft of the chimney</li> <li>• Clean the glass with specific products</li> </ul>
Moisture occurs in the oven	Excess of steam in the oven	<ul style="list-style-type: none"> <li>• Open the special valve inside the oven during cooking</li> </ul>

## 7 TECHNICAL DATA

### 7.1 GENERAL TECHNICAL DATA

Model	T Basic BE	T Chef BE
Weight	240 Kg.	260 Kg.
Nominal power	9,1 (25,9) kW	
Nominal power given to water	2,0 (17,1) kW	
Nominal power given to environment	7,1 (8,9) kW	
Efficiency	85,1 (76,1)%	
Emissions CO (13% O <sub>2</sub> )	968 mg/m <sup>3</sup>	
Emissions NO <sub>x</sub> (13% O <sub>2</sub> )	88 mg/m <sup>3</sup>	
OGC Emissions (13% O <sub>2</sub> )	32 mg/m <sup>3</sup>	
Dust emissions (13% O <sub>2</sub> )	25 mg/m <sup>3</sup>	
Chimney vacuum	13 Pa	
Exhaust gas temperature (*)	199° C	
Exhaust gas flow	7,7 g/s	
Combustible consumption	2,4 kg/h	
Max. combustible quantity	9,0 kg	
Boiler capacity	18 L	
System pressure (max)	3 bar	
Autonomy	45 min	
Electric power	-- W	
Tension	-- V	
Frequency	-- Hz	

(\*) Average temperature at nominal power. It is possible to obtain higher instantaneous exhaust gas temperatures. It is recommended to use always pipes with minimum specify T400.

### 7.2 SAFETY DISTANCES

Safety distances from inflammable or sensible to heat materials in absence of other isolating systems.

Model	Laterally	Behind	From	On
Serie T	5 cm	10 cm	80 cm	-- cm

### 7.3 REGULATIONS AT NOMINAL POWER


Model	T Basic BE	T Chef BE
Air regulation	Half open	Half open
Draught regulator	Open (6/7)	Open (6/7)
Secondary air regulation	Open	Open

# DECLARATION OF PERFORMANCE

In accordance with building products regulations n. 305/2011

## N.133

ENGLISH

1. Unique identification code of the Product-type	XT
2. Model or serial number (Art. 11-4)	T Basic BE - T Chef BE
3. Intended use of the product in accordance with the relative harmonized technical specification	Domestic heating solid fuel
4. Name or regist. trademark of the manufact. (art. 11-5)	Rizzoli s.r.l.
5. Name and Address of the manufacturer	---
6. System of assessment and verification of constancy of performance (Attachment 5)	System 3
7. Notified laboratory	ACTECO S.r.l. - (N.B. 1880) Via Amman, 41 - I-33084 Cordenons (PN)
Test report no.	1880-CPR-073-19 - 1880-CPR-039-19
8. <b>Declared performance</b>	
Harmonized technical specification	EN 13240:2001/A2:2004/AC:2007
<b>Essential features</b>	<b>Performance</b>
Fire resistance	A1
Distance to combustible materials	Minimum distances, in mm: rear = 100, sides = 50, floor = 0, ceiling = --, front = 800
Combustible exit risk	Pass
Emissions produced by combustion	CO [0,08 %]
Surface temperature	Pass
Electrical safety	Pass
Accessibility and cleaning	Pass
Maximum working pressure	3 bar
Fumes temperature	T [199 °C]
Mechanical resistance	NPD
Nominal power	9,1 kW
Power given to environment	7,1 kW
Power given to water	2,0 kW
Efficiency	$\eta$ [85,1 %]
9. The performance of the product identified in points 1 and 2 is in conformity with the declared performance in point 8	
This declaration is issued under the sole responsibility of the manufacturer identified in point 4	
Trodena n.P.N., October 21 <sup>th</sup> 2019	 <p>FRATELLI SINCE 1911 <i>Rizzoli Giulio</i> Zona Artigianale, 1 - Frazione San Lugano I - 39040 TRODENA (BZ) Tel. +39 0471 887551 P.IVA e C.F. 00624200226</p>

## TECHNICAL INFORMATION - REGULATION (EU) 2015/1185

<b>Model identifier(s):</b>	T-BASIC BE - T-CHEF BE	<b>Direct heat output:</b>	7,1 kW
<b>Indirect heating functionality:</b>	yes	<b>Indirect heat output:</b>	2,0 kW

Fuel	Preferred fuel	Other suitable fuel(s)	Fuel	Preferred fuel	Other suitable fuel(s)
Wood logs with moisture content ≤ 25%	yes	--	Compressed wood with moisture content < 12%	no	no
Other woody biomass	no	no	Non-woody biomass	no	no
Anthracite and dry steam coal	no	no	Hard coke	no	no
Low temperature coke	no	no	Bituminous coal	no	no
Lignite briquettes	no	no	Peat briquettes	no	no
Blended fossil fuel briquettes	no	no	Blended biomass and fossil fuel briquettes	no	no
Other fossil fuel	no	no	Other blend of biomass and solid fuel	no	no

Fuel	Preferred fuel	Other suitable fuel(s)	η <sub>s</sub> [x%]	Space heating emissions at nominal heat output (*)				Space heating emissions at minimum heat output (*) (**)			
				PM	OGC	CO	NO <sub>x</sub>	PM	OGC	CO	NO <sub>x</sub>
				[x] mg/Nm <sup>3</sup> (13% O <sub>2</sub> )				[x] mg/Nm <sup>3</sup> (13% O <sub>2</sub> )			
Wood logs with moisture content ≤ 25%	yes	--	75,1	25	32	968	88	--	--	--	--

Characteristics when operating with the preferred fuel only									
Item	Symbol	Value	Unit	Item	Symbol	Value	Unit		
<b>Heat output</b>				<b>Useful efficiency (NCV as received)</b>					
Nominal heat output	P <sub>nom</sub>	9,1	kW	Useful efficiency at nominal heat output	η <sub>th,nom</sub>	85,1	%		
Minimum heat output	P <sub>min</sub>	--	kW	Useful efficiency at minimum heat output	η <sub>th,min</sub>	--	%		
<b>Auxiliary electricity consumption</b>				<b>Permanent pilot flame power requirement</b>					
At nominal heat output	e <sub>lmax</sub>	--	kW	Pilot flame power requirement (if applicable)	P <sub>pilot</sub>	--	kW		
At minimum heat output	e <sub>lmin</sub>	--	kW						
In standby mode	e <sub>lSB</sub>	--	kW						

Type of heat output/room temperature control	Other control options		
single stage heat output, no room temperature control	yes	room temperature control, with presence detection	no
two or more manual stages, no room temperature control	no	room temperature control, with open window detection	no
with mechanic thermostat room temperature control	no	with distance control option	no
with electronic room temperature control	no		
with electronic room temperature control plus day timer	no		
with electronic room temperature control plus week timer	no		

Contact details:	Rizzoli s.r.l. - Zona Artigianale 1, Frazione San Lugano - 39040 Trodena n.P.N. (BZ) - Italy Tel. +39 0471 887551 - <a href="mailto:info@rizzolicucine.it">info@rizzolicucine.it</a> - <a href="http://www.rizzolicucine.it">www.rizzolicucine.it</a>
------------------	--

(\*) PM = particulate matter, OGC = organic gaseous compounds, CO = carbon monoxide, NO<sub>x</sub> = nitrogen oxides  
(\*\*) Only required if correction factors F(2) or F(3) are applied.

**ENGLISH**



# SCHEDA PRODOTTO - PRODUCT FICHE PRODUKTDATENBLATT - FICHE PRODUIT

Per etichettatura energetica ai sensi del regolamento delegato (UE) 2015/1186  
Für die Energieverbrauchskennzeichnung gemäß der delegierten Verordnung (EU) 2015/118  
For energy labelling according to delegated regulation (UE) 2015/1186  
Pour étiquetage énergétique conformément au Règlement Délégué (UE) 2015/1186

<b>Nome o marchio del fornitore</b>		
1.	<i>Name oder Warenzeichen des Lieferanten</i> <i>Supplier's name or trademark</i> <i>Nom du fournisseur ou marque commerciale</i>	<b>RIZZOLI</b>
<b>Identificativo del modello</b>		
2.	<i>Modellkennung</i> <i>Model identifier</i> <i>Référence du modèle</i>	<b>T-BASIC BE</b> <b>T-CHEF BE</b>
<b>Classe di efficienza energetica del modello *</b>		
3.	<i>Energieeffizienzklasse des Modells *</i> <i>Energy efficiency class of the model *</i> <i>Classe d'efficacité énergétique du modèle *</i>	<b>A +</b>
<b>Potenza termica diretta</b>		
4.	<i>Direkte Wärmeleistung</i> <i>Direct heat output</i> <i>Puissance thermique directe</i>	<b>7,1 kW</b>
<b>Potenza termica indiretta</b>		
5.	<i>Indirekte Wärmeleistung</i> <i>Indirect heat output</i> <i>Puissance thermique indirecte</i>	<b>2,0 kW</b>
<b>Indice di efficienza energetica</b>		
6.	<i>Energieeffizienzindex</i> <i>Energy efficiency index</i> <i>Indice d'efficacité énergétique</i>	<b>114,4</b>
<b>Efficienza utile alla potenza termica nominale</b>		
7.	<i>Brennstoff-Energieeffizienz bei Nennwärmeleistung</i> <i>Useful energy efficiency at nominal heat output</i> <i>Rendement utile à la puissance thermique nominale</i>	<b>85,1 %</b>

## Consultare il libretto di istruzioni per montaggio, installazione e manutenzione dell'apparecchio

Für die Montage, Installation und Wartung des Gerätes befolgen Sie die Angaben laut Gebrauchsanweisung

Read the instructions booklet for mounting, installation and maintenance of the device

Consulter le manuel d'instructions pour le montage, l'installation et l'entretien de l'appareil

**\* Su scala di 9 valori da A++ a G, dove A++ è la classe migliore e G la peggiore.**

\* Auf einer Skala mit 9 Werten von A++ bis G, wobei A++ die beste und G die schlechteste Klasse ist.

\* On 9 values scale from A++ to G, where A++ is the best class and G the worst.

\* Sur échelle de 9 valeurs de A++ à G, où A++ est la classe la meilleure et G la moins bonne.

## 8 WARRANTY

### 8.1 DECLARATION OF PERFECTLY MADE PRODUCT

Rizzoli warrants that the device has passed all the quality controls and internal tests. Rizzoli also warrants that the device is working, without imperfections due to building or due to materials. This device is the result of the multi-decennial experience of Rizzoli, who warrants a perfectly made product.

### 8.2 GENERAL CLAUSES

Warranty lasts 2 years since the day of purchase. It is valid for the purchaser only, it is not transferable. To receive the warranty services the customer must provide a valid fiscal document of purchase (cash voucher, invoice etc.) and the enclosed warranty card. Keep them with care.

### 8.3 WARRANTY MODALITIES

Rizzoli reserves, in its unquestionable judgement, to choose the the action that best fits the problem object of warranty. The imperfect replaced parts remain property of Rizzoli. Rizzoli, in its unquestionable judgement, will decide if the warranty operations must be done in place or in its own factory. For operations made at home in the period of warranty, the customer must pay a fixed call fee in force. This fee must not be paid if the hood has been bought in the previous 3 months. For reparations made in Rizzoli Customer Service centres, transport charges are due.

### 8.4 IMPERFECTIONS OR DEFECTS IN THE MATERIALS

Imperfections or defects in the materials must be signalled within 8 days since the customer receives the products and anyway this implies only the obligation to replace what provided, excluding any additional responsibility.

### 8.5 PARTS NOT INCLUDED IN WARRANTY

This warranty does not cover the following, and the customer will be required to pay repair charge, even for defects occurring within the warranty period referred to above:

- Any defect that occurs due to mishandling.
- Any defect that occurs due to operations performed that are not mentioned in the sections of these instructions.
- Damages due to an excessive use of the thermostove with consequent overheating of itself.
- Damages due to the connection of the hood to a wrong sized vent-hole pipe.
- Any defect that occurs due to the lack of application of the national and local laws.
- Any defect that occurs due to not perfectly made installations.
- Any defect that occurs due to repair, modification, cleaning, etc. performed by anyone other than Rizzoli authorized Customer Service centres.
- Consumer parts like bulbs, grills, gaskets, baking pans, glasses etc.

### 8.6 BOILER WARRANTY

The warranty for the boiler of the thermostove is 6 years since the date of purchase. The warranty covers eventual defects of the boiler itself. Are excluded from the warranty damages caused by a thermostove system connected to the thermostove not planned or duly made or the damages caused by a not proper use of the thermostove.

In particular, are excluded from the warranty the damages caused by:

- circulation pump activation temperature set on the thermostat or on the control unit to a temperature lower than 55° C;
- lack of anti-condensation valve in the system in presence of a heat accumulation system (boiler or puffer) or characterized by considerable thermal inertia;
- lack of a safety system as described in chapter 3 and as stated by the existing technical laws;
- water boiling in the boiler;
- use of the thermostove with boiler empty or not connected to the system;
- use of the thermostove without the sheets inside the combustion chamber;
- excessive or not proper wood loading in the combustion chamber;
- use of not adequate combustible (wood not dry, coal, other combustibles);
- problems caused by rambling power generated by missed earthing of the system and the thermostove;
- use of antifreeze inside the boiler;
- use of calcareous water;
- chimney not adequate, the chimney must meet the specifics indicated in chapter 2.

### 8.7 OPERATIONS MADE OUT OF THE WARRANTY PERIOD

Possible operations made out of the warranty period or in the cases in which warranty is not applicable, will be charged according to the pricelist in force. In this case will be also charged the price of the spare parts.

### 8.8 RESPONSIBILITY

Rizzoli is not responsible for incidental or consequential damages due to the lack of application of the national and local law and of the instructions written in this booklet.

### 8.9 COMPETENT LAW COURT

In case of controversy will be competent the law-court of Bolzano only.

#### Note

Rizzoli S.r.l. is constantly working to improve its products, for this reason the contents of this booklet may vary without notice.



**Rizzoli s.r.l. - Unica sede**  
Zona Artigianale 1, Frazione San Lugano  
39040 Trodena nel Parco Naturale (BZ) - Italia  
Tel. +39 0471 887551  
info@rizzolicucine.it - www.rizzolicucine.it

