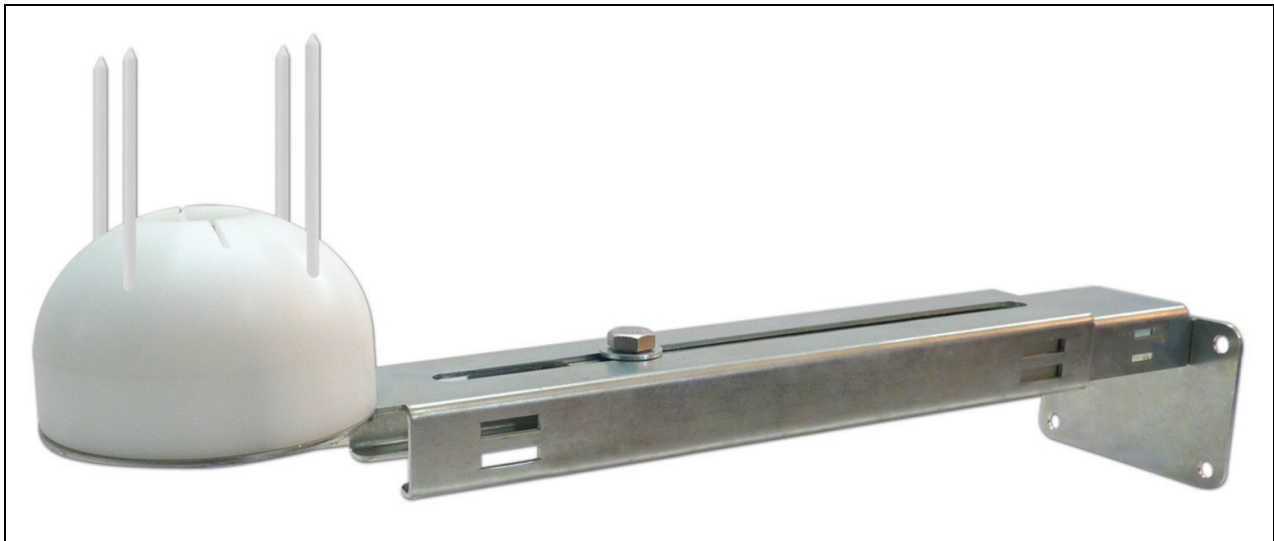


PYROSENSE I Outdoor Snow Sensor

Features & Benefits

- Electronic Snow and Ice sensor
- Energy Efficient algorithm
- 24VAC operated
- Fits to PYROSB metal rust-free mounting bracket or vertical pole
- Anti bird nesting spykes
- Plastic cap for summer time – protect from dust and dirt
- Up to 4 PYROSENSE sensors can be chained into one PYROCON12 controller
- 4 wires installation – 30 ft. cable supplied with the sensor
- Simple user interface for parameters set from PYROCON12 controller
- Adjustable RH sensitivity from PYROCON12 controller
- Adjustable set-points
- Technician testing / commissioning mode for easy and fast system test all year long (even during summer or at high temp)



PYROSENSE I Outdoor Snow Sensor

Description

The PYROSENSE is a stylish, smart and reliable Snow and Ice sensor. Installed outdoors it measures the temperature and detects snow, sending the information via the PYROCON12 controller to the heating system.

The PYROSENSE is connected to the Snow Melting Controller (PYROCON12) with a 30 feet (10 m.), 24V 4 wires cable and communicating with the controller, providing the temperature value and the snow detection based on the adjustable parameters.

The plastic "igloo" shape design helps to assure reliable Snow/Ice detection as it prevents from the snow to accumulate around the sensing area. The 4 holes around the sensors were designed to hold the Anti Nesting spykes, keeping birds away from the sensor.

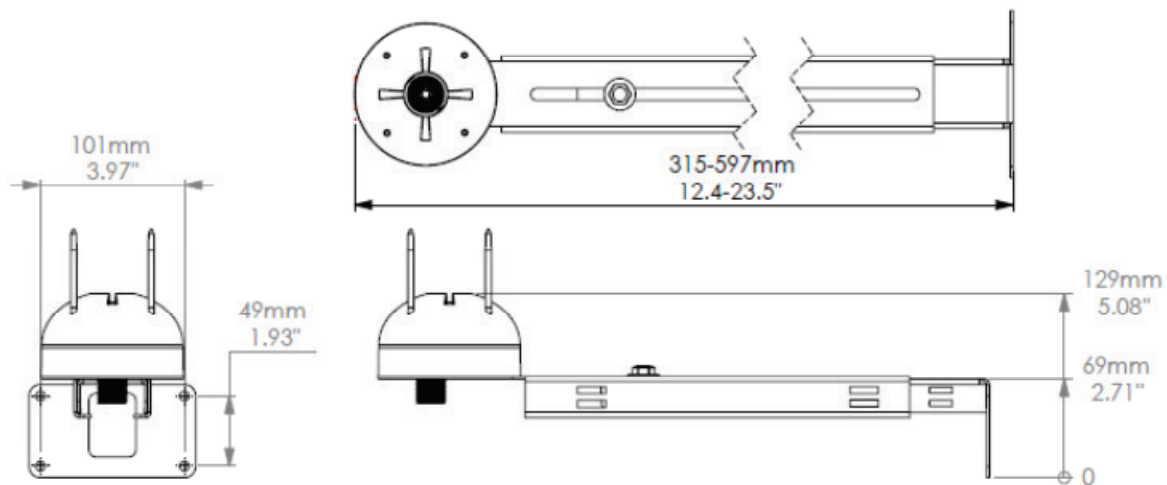
The sensor cap helps to keep the sensing area clean from dust and dirt during summer time and when the snow melting system is not used.

The measured temperature and the snow detection are visible on the backlit LCD display of the PYROCON12 controller.

The PYRO system can work with up to 4 PYROSENSE Snow Sensors chained one after the other and link the 4 output zones of snow melting to the PYROSENSEs. A special sensor with pre-defined address is needed as an additional sensor besides the PYROSENSE who is active as #1.

PYROSENSE2, PYROSENSE3 and PYROSENSE4 are the required sensors when 2, 3 or 4 sensors are needed. Each snow sensors must have different MAC (Media Access Control) address in order to communicate with the main board

Dimensions

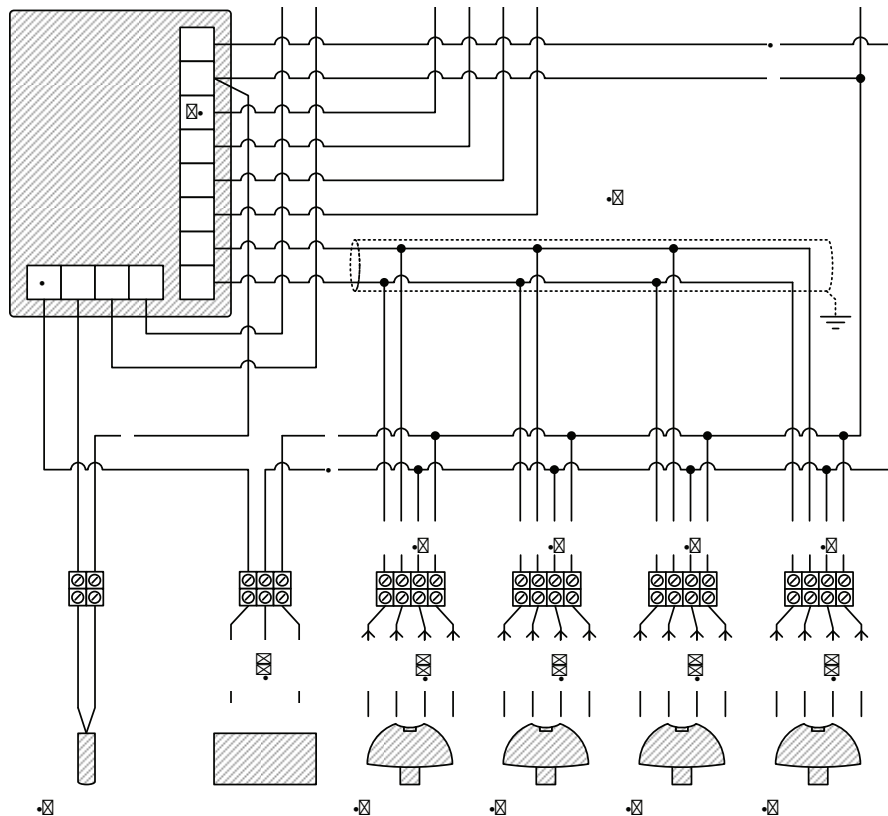


PYROSENSE I Outdoor Snow Sensor

Technical specifications

Enclosure- Protection	IP65, Outdoor Mounting	Material	ASA WR9160
Entries	33 ft. (10 m) Four wires cable: <ul style="list-style-type: none">• 2x18AWG supply wires• 2x22AWG communication wires <u>optional</u> : can be lengthened up to 450 ft. with extended wire	Supply	24VAC±20%,50-60Hz,4W
		Communication	RS485
		Operating temp.	-40°F to 122°F (-40°C to 50°C)
Mounting	Outdoor mounting on PYROSB metal holder (by meitav-tec) or vertical pole NPT ½" Thread	Storage temp.	-50°F to 158°F (-40°C to 70°C)

Wiring diagram



The performance specifications are nominal and conform to acceptable industry standards.
This document is subject to change without any notice.