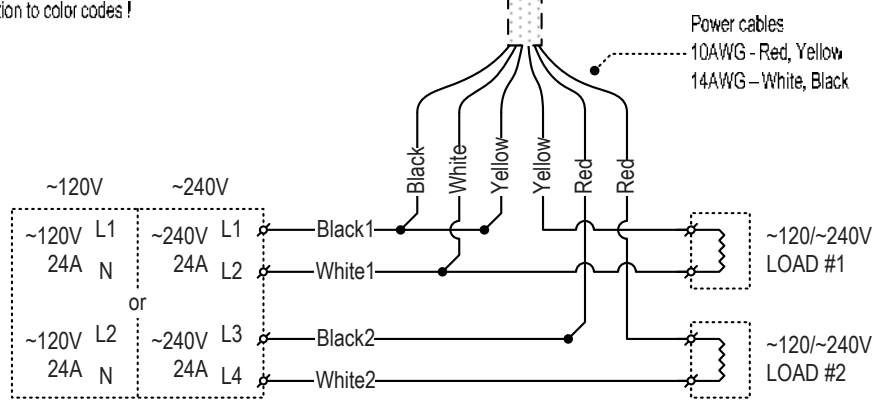


Important: Where the IRP-PYRC indoor control interface is in use, the installer should remove the protective connector at the end of the 6 wires cable leading from the PYROSELF to the IRP-PYRC, strip the wires ends and connect them directly to the IRP-PYRC terminals or use an extension cable as shown in the picture. Pay attention to color codes !



PYROSELF