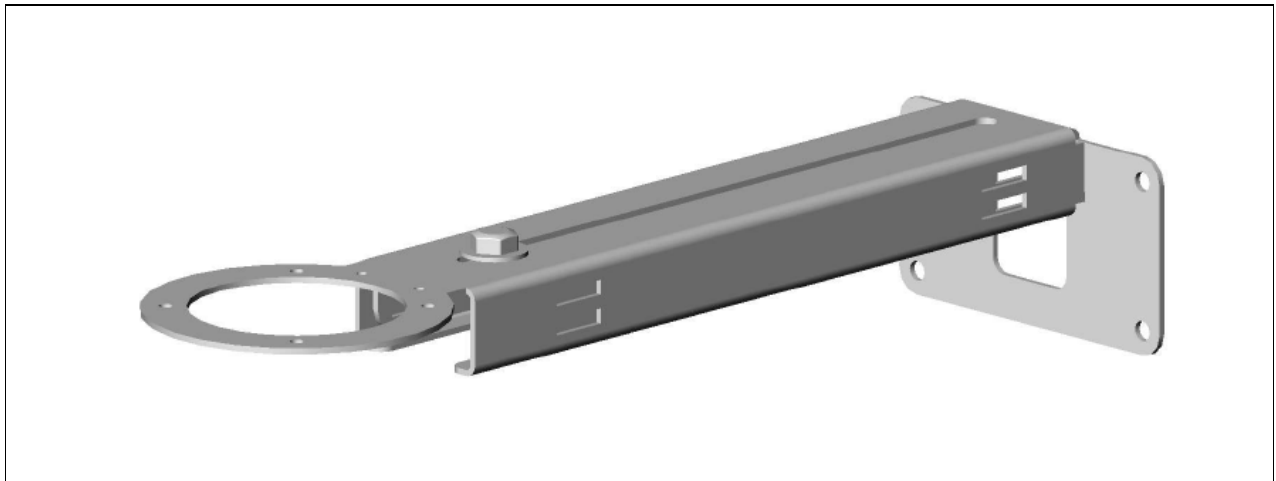


PYROSB I Wall Mounting Metal Bracket for PYROSENSE

Features & Benefits

- Rust free metal bracket
- Adjustable length for optimizing the distance from the wall
- Color - Silver
- Pre Drilled holes for easy mounting.
- Holes along the arm for tie wraps to secure the PYROSENSE cable/conduit
- designated opening for wall through wiring



Description

The PYROSB is a metal arm with adjustable length (375-600 mm / 14.7-23.6 inch) for the PYROSENSE Snow sensor of the PYRO-X system. The PYROSENSE fits precisely to the round surface and the holes are located on the metal ring secure the Snow sensor assembly. Adjusting the arm length is easy and done using the top screw. The rectangular holes along the arm provide easy holding point for tie wraps, securing the cable of the PYROSENSE. An opening in the wall plate provides a direct access to feed the wire into the house.

Technical specifications

Length	375-600mm / 14.7-23.6 inches	Storage and Operating temp.	-50°F to 220°F (-40°C to 105°C)
Material	metal	installation	Wall mounted with 4 screws

The performance specifications are nominal and conform to acceptable industry standards.
This document is subject to change without any notice