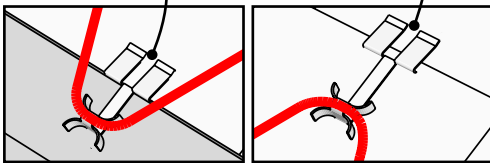
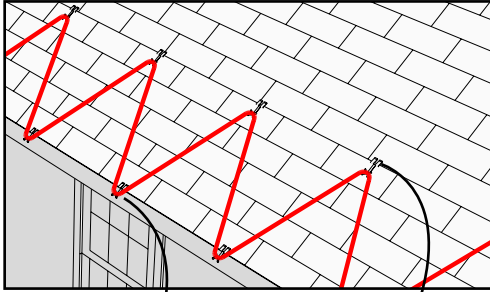
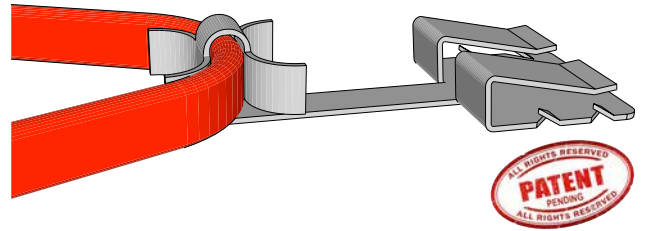


GripClip™

A Revolutionary Answer to Installing Self-Regulating Heat Cable on Shingle Roofs



GripClips are the preferred heat cable clip for installations on shingle roofs. Installations require NO tools and that NO nails need to be driven into the roof, greatly decreasing installation time while also reducing the potential liability associated with using traditional nail-on clips. GripClips allow heat cables to be placed near the center of the valley, which is impossible with nail-on roof clips due to nailing requirements. Additionally, GripClips can be easily repositioned or removed in the future if desired without damaging the roofing materials by simply bending up the top arms of the clip.

Uses:

The GripClip can be used to install both self-regulating and constant wattage heat cable on shingle roofs on areas both with and without gutters. GripClips are available in robust .050 black anodized aluminum or .050 mill finish aluminum.

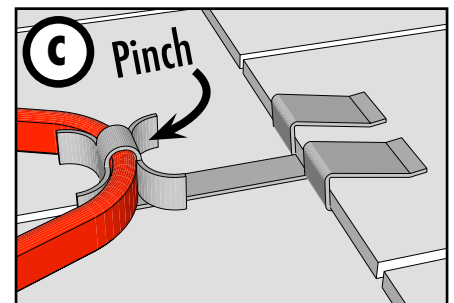
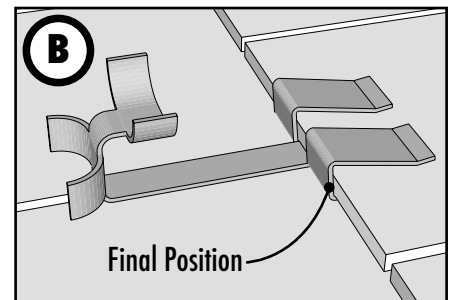
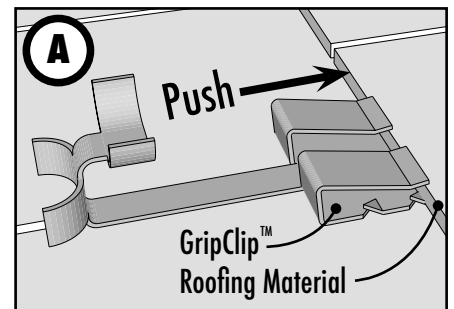
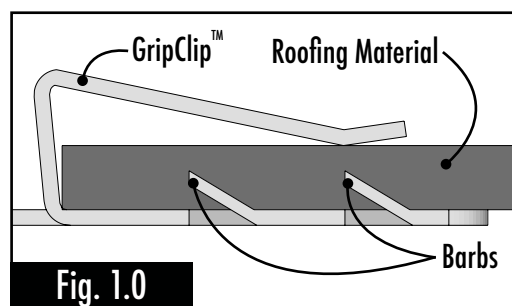
GripClip Installation Tips

1. To establish your GripClip locations, think through the best path for your cable pattern, factoring in variables such as downspout and power source locations. Some installers use chalk to mark out clip locations prior to installation to ensure proper spacing.
2. GripClips can usually be installed by simply pushing the clip up onto the end of the asphalt shingle as shown in Drawings A and B, right. If the glue strip between the asphalt shingles is quite bonded use a putty knife as shown in Photo D to simply break the glue strip bond where you intend to insert your GripClip.
3. After the GripClip is pushed into position and is engaged into the asphalt shingle, lay the heat cable into the cradle area of the clip, as shown in Drawing C, and use your fingers to pinch the top half of the cradle down onto the cable.

Considerations

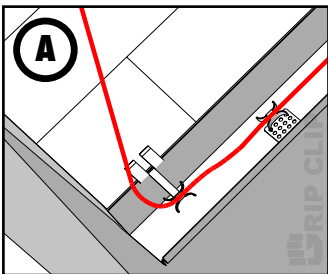
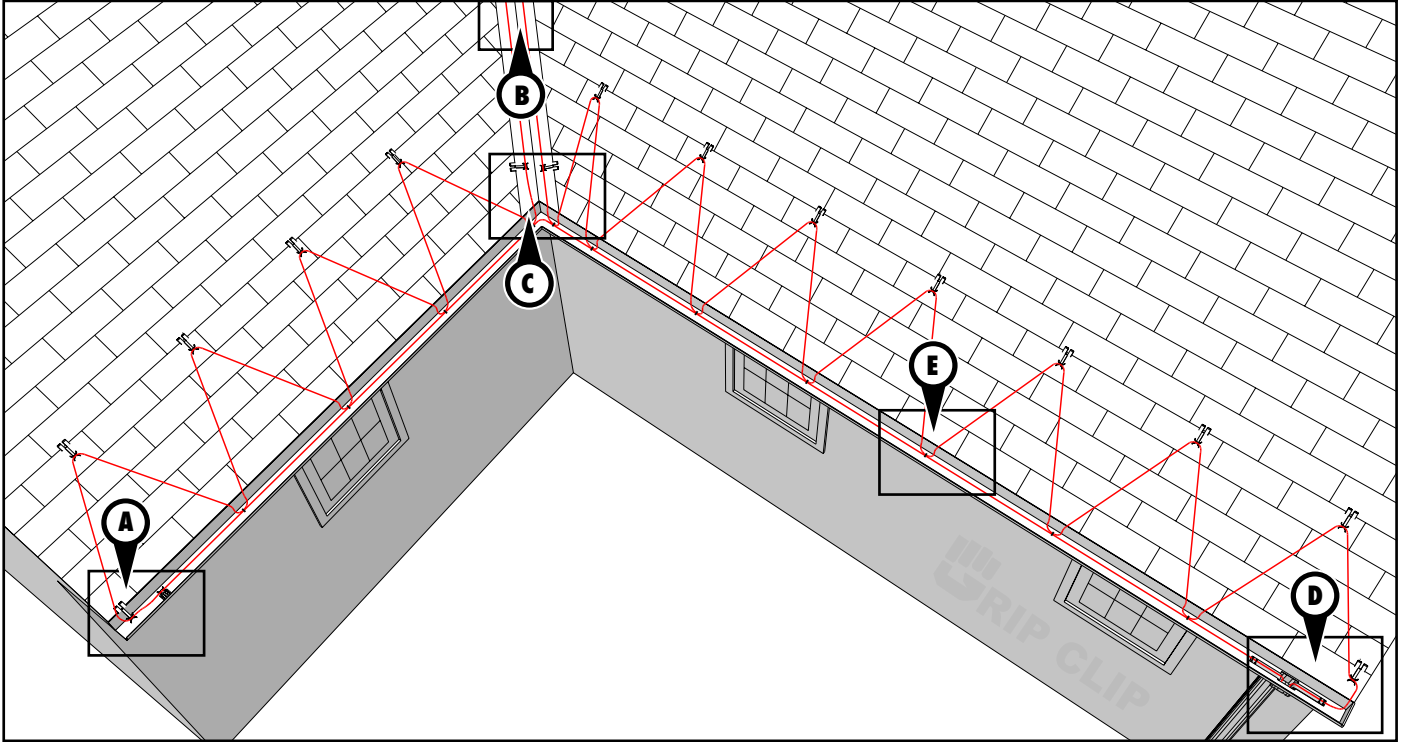
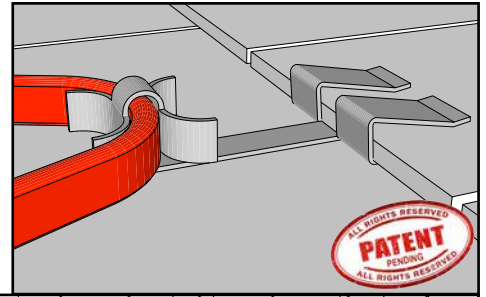
There are four robust aluminum bars on the bottom of each GripClip body. Those bars embed, or 'bite', into the asphalt shingle, creating a semi-permanent anchor that can be used for many years (Figure 1.0, Below). Installing the GripClip on cold roofing can prevent barb engagement. Therefore, we recommend performing the installation before the roofing material becomes cold and hard. If cool weather installations are necessary, barb engagement can be promoted by quickly warming the shingle with a heat gun in the clip location. Another technique shared by our installers is to simply wiggle the GripClip back and forth after it has been pushed up into position to encourage the bars to sink into the asphalt shingle.

GripClips can be removed by simply prying up on the upper, exposed arms until the pinching grip has been released from the shingle. The GripClip and then be safely slid off the shingle.

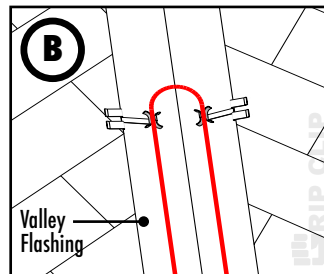


GRIP CLIP™

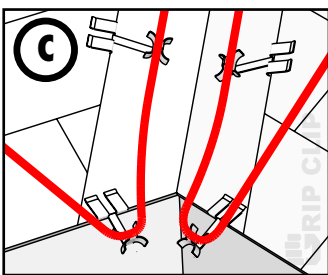
A Revolutionary Answer to Installing Heat Cable on Asphalt Roofs



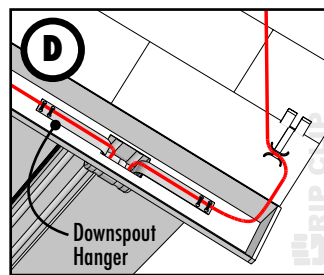
Use a GripClip off the end of the last course of shingles to place the heating cable into the trough of the gutter. You may also use a few traditional roof clips glued to the bottom of the gutter, as shown, to secure the cable in the gutter.



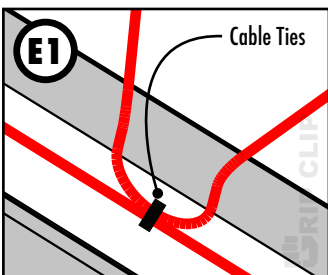
VALLEYS: GripClips allow for the placement of heat cable near the center of the valley flashing because no nails are required for installation. Nails should never be driven within 6" of the centerline of the valley under any condition.



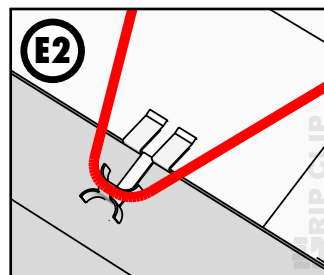
VALLEYS: If there is a layer of ice & water membrane beneath the valley, GripClips can be used on the end of valley as shown. Otherwise, GripClips can be mounted to the bottom edge of the adjacent asphalt roofing material.



GripClips can be used creatively to secure heat cable to the roof in any location. They can also be pushed onto the side of a shingle to run heat cable vertically.



GUTTERS: Cable systems using GripClips do not need clips on the lower loop when gutters are present. Instead, bend the loop down into the gutter and join it with two UV resistant cable ties to the heat cable running in the gutter.



NO GUTTERS: When no gutters are present, install GripClips on the edge of the last shingle as shown. This creates a fixed drip loop, ensuring a continuous melted pathway through any potential accumulated ice.

⚠ WARNING

Never attempt to pull the heating cable tight or create tension in the heat cable system from one clip to the next as this will put unnecessary stress on the roof clips and the heating cable over time. The cable should be loosely laid on the roof with just enough tension to maintain the proper serpentine pattern and keep the heat cable stable in the roof clips.