

HOTEL EMPORIUM

PUMP LOCK DISPENSER INSTALLATION GUIDE

REFILLABLE / 300ML e 10 FL OZ

TRIPLE UNIT DISPENSER SIZE: 200 L × 80 W × 170 H (mm)

MATERIAL: PET Bottle & ABS Bracket

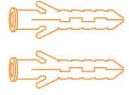
INFO: Tamper-Resistant Bracket



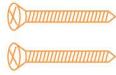
PUMP LOCK DISPENSER INSTALLATION GUIDE

PARTS INCLUDED IN INSTALLATION KIT

(SHAMPOO, CONDITIONER, & BODY WASH ARE NOT INCLUDED)



WALL ANCHORS



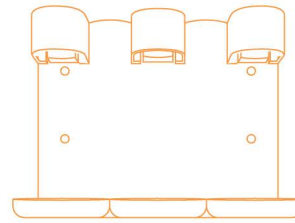
SCREWS



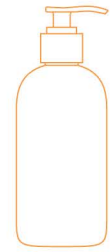
3M TAPE



KEY



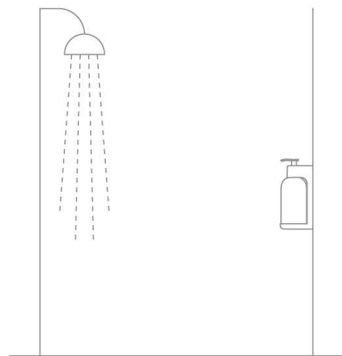
BRACKET



300ML BOTTLE

RECOMMENDED PLACEMENT GUIDE

ON THE BACK WALL, OPPOSITE OF THE SHOWER HEAD
(NOT TO SCALE)



RECOMMENDED TOOLS



ALCOHOL WIPE



LEVEL



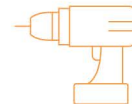
TAPE MEASURE



TAPE



CAULK



POWER DRILL



HAMMER



SCREW DRIVER

ADDITIONAL INFO

Do not use a corrosive detergent.
Use a soft damp cloth, warm water, and mild cleaner to clean bottles and brackets.
To deep clean, remove dispensers and fill them with warm soapy water. Rinse and pump until water has been emptied. Air dry completely before refilling liquid and reassembling the dispenser.
Recommended installation is mounting bracket with both screws and tape.

Disclaimer: Hotel Emporium is not responsible for contamination of bacteria growth in dispensers due to infrequent and/or improper cleaning.

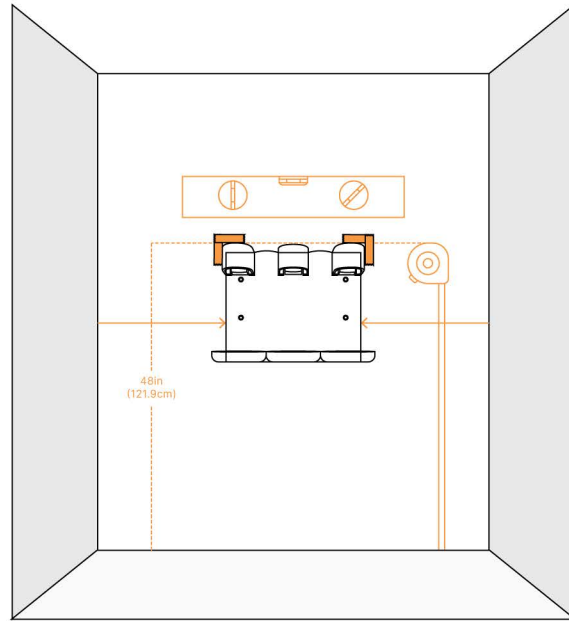
PUMP LOCK DISPENSER INSTALLATION GUIDE

1



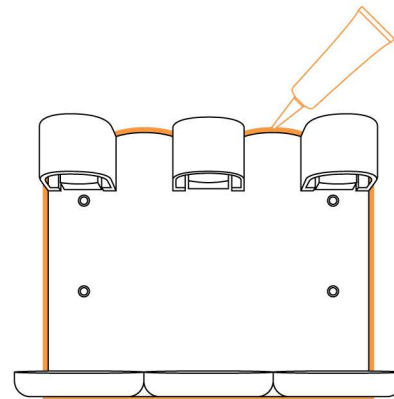
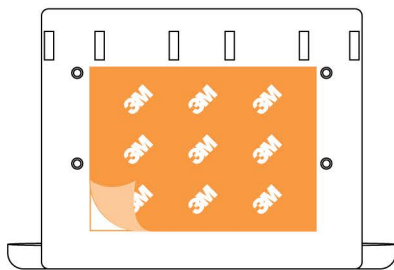
Clean surface thoroughly with alcohol wipe. Make sure surface is fully dry before installation.

2



Determine the proper placement of dispenser and make sure it is level. Mark the upper corners. Recommended height is 48" from the floor to the pump of the dispensers.

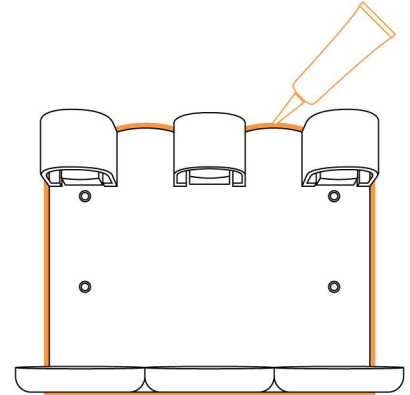
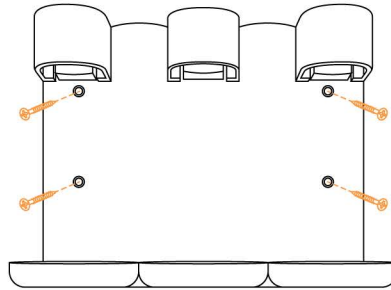
3A



Tape Installation

1. For tape installation, clean back of bracket then adhere the double sided 3M mounting tape to the bracket. Peel film off.
2. Press bracket firmly onto the wall for 30 seconds until it is secured.
3. Place a line of adhesive caulk around the bracket to prevent water and grime from getting behind the bracket. Wipe away any excess caulk. Wait 72 hours before inserting the bottles to allow tape to securely set.

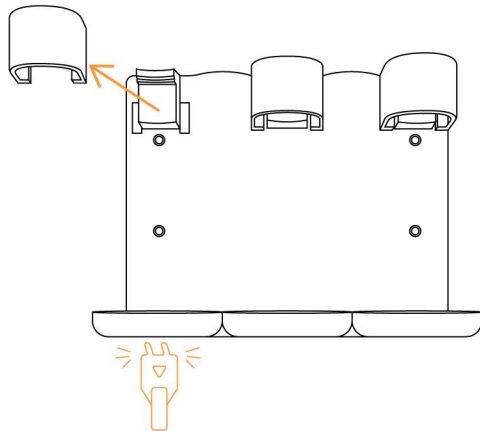
3B



Screw Installation

1. For screw installation, use the bracket to mark the bracket holes on the wall. Drill bracket holes into the wall.
2. Insert wall anchors with your hands, then use a hammer to tap anchors flush into the wall.
3. Place bracket into position on the wall and use screwdriver to tighten screws in place.
4. **Place a line of adhesive caulk** around the bracket to prevent water and grime from getting behind the bracket. Wipe away any excess caulk. **Wait 24 hours** for caulk to dry.

4



Press key upwards at the bottom of the bracket as you pull off neck clamp. Load the bottles in the bracket. Place the neck clamp over the pump top and push it in until a “click” is heard.

Dispenser is now ready to use!

To refill dispensers, repeat step above to remove neck clamp and refill or clean bottles. Reassemble bracket after refilling or cleaning is complete.