

HOTEL EMPORIUM

MAGIC MAGNET DISPENSER INSTALLATION GUIDE

REFILLABLE & NON-REFILLABLE / 400ML e 13.5 FL OZ

BOTTLE SIZE: Ø58 W × 185 H (mm)

SINGLE BRACKET SIZE: 92 L × 86 W × 51 H (mm)

DOUBLE BRACKET SIZE: 165 L × 78 W × 51 H (mm)

TRIPLE BRACKET SIZE: 236 L × 78 W × 51 H (mm)

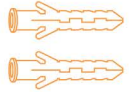
MATERIAL: HDPE Bottle, PE/PP Pump, & ABS Bracket

INFO: Tamper-Resistant Bracket, Magnetic Key, & Fluid Indicator Window

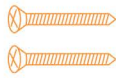


MAGIC MAGNET DISPENSER INSTALLATION GUIDE

PARTS INCLUDED IN INSTALLATION KIT



(2)
WALL ANCHORS



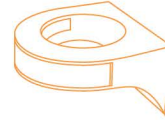
(2)
SCREWS



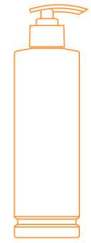
(2)
SCREW COVERS



(1)
MAGNETIC KEY



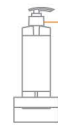
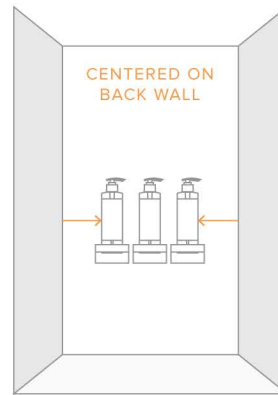
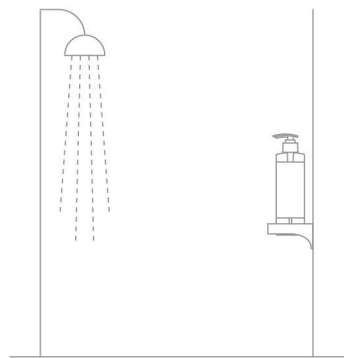
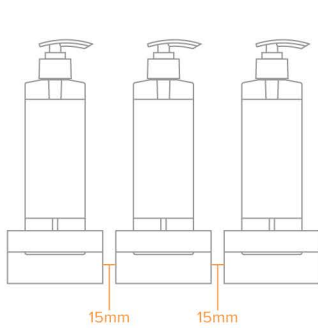
(1)
BRACKET



(1)
380ML BOTTLE

RECOMMENDED PLACEMENT GUIDE

ON THE BACK WALL, OPPOSITE OF THE SHOWER HEAD
(NOT TO SCALE)



48in max
(121.9cm)

ADA COMPLIANT

RECOMMENDED TOOLS



ALCOHOL
WIPE



PENCIL



LEVEL



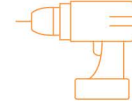
TAPE
MEASURE



TAPE



CAULK



POWER
DRILL



HAMMER



SCREW
DRIVER

ADDITIONAL INFO

Do not use a corrosive detergent.
Use a soft damp cloth, warm water, and mild cleaner to clean bottles and brackets.
Recommended installation is mounting bracket with both screws and tape.

MAGNET KEY INFO



Avoid magnetic key contact from all electronic devices and IC cards.
Ask staff to hang magnetic key on the handlebars of the cleaning trolley.

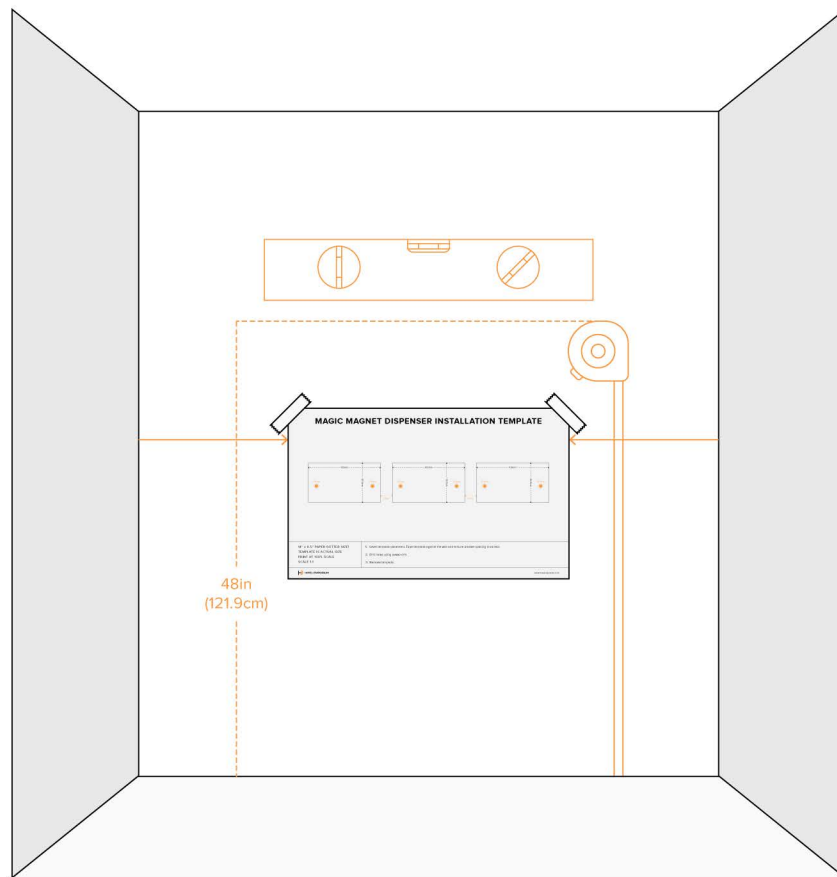
MAGIC MAGNET DISPENSER INSTALLATION GUIDE

1



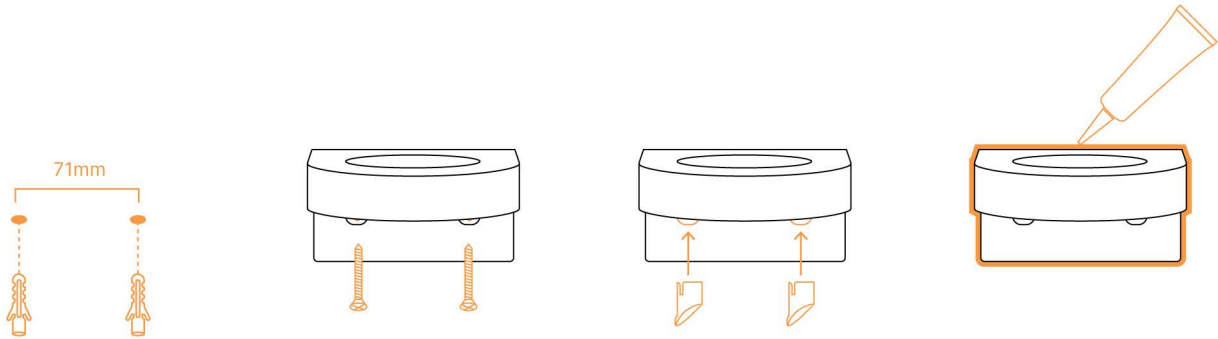
Clean wall surface with alcohol wipe.
Make sure surface is fully dry before installation.

2



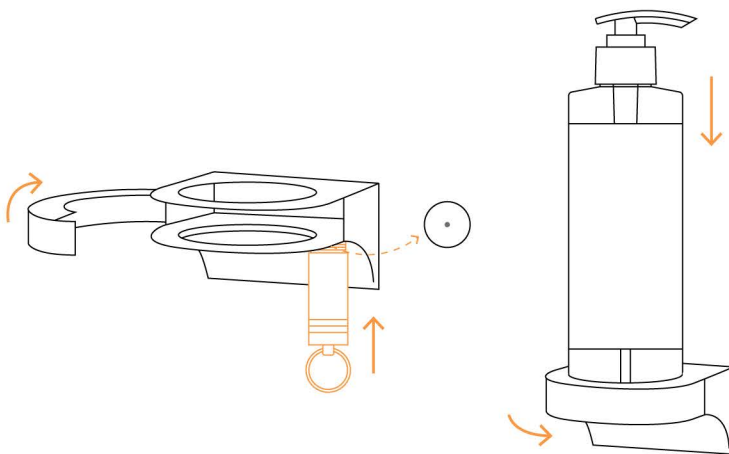
Determine the proper placement of dispenser. Tape template onto the wall and make sure template is level. Recommended height is 48" from the floor to the pump of the dispensers.

3



1. For screw installation, use template to mark the bracket holes on the wall. Drill bracket holes into the wall.
2. Insert wall anchors with your hands, then use a hammer to tap anchors flush into the wall.
3. Place bracket into position on the wall and tighten screws in place. Add screw covers over the screws.
4. **Place a line of adhesive caulk** around the bracket to prevent water and grime from getting behind the bracket. Wipe away any excess caulk. **Wait 24 hours** for caulk to dry.

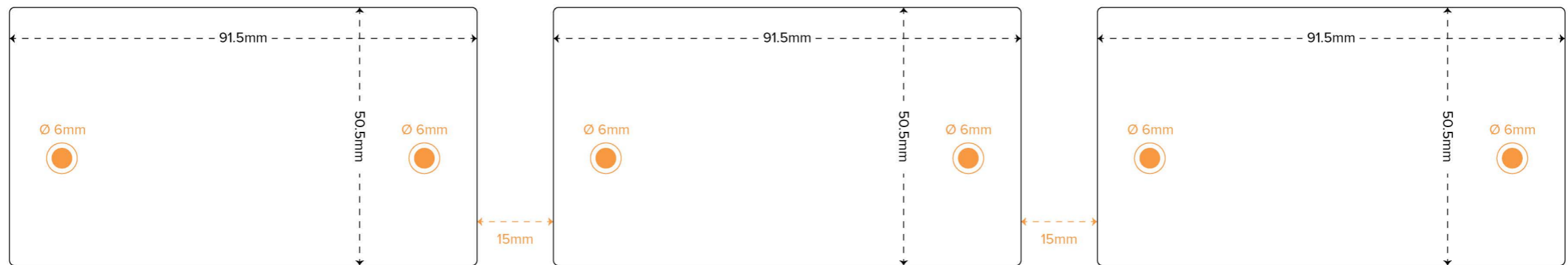
4



Unscrew magnetic key cap and place key on the lock symbol to unlock the bracket. Open bracket arm and place the bottle inside. Close the arm and remove key. **Dispenser is ready to use!**

To replace bottles, repeat steps above.

MAGIC MAGNET DISPENSER INSTALLATION TEMPLATE



14" x 8.5" PAPER (LEGAL SIZE)
TEMPLATE IS ACTUAL SIZE
PRINT AT 100% SCALE
SCALE 1:1

1. Level template placement. Tape template against the wall and ensure bracket spacing is correct.
2. Drill holes using power drill.
3. Remove template.



SEE VIDEO DEMO