

HOTEL EMPORIUM

BOXY DISPENSER INSTALLATION GUIDE

REFILLABLE / 430ML e 14.5 FL OZ

BOTTLE SIZE (WITH PUMP): 65 L x 65 W x 175 H (mm)

TRIPLE BRACKET CONFIGURATION SIZE: 203 L x 85 W x 206 H (mm)

MATERIAL: HDPE Bottle & Stainless Steel Bracket


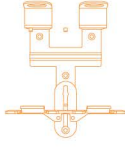
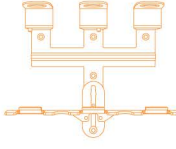
INFO: Tamper-Resistant Bracket & Fluid Indicator Window

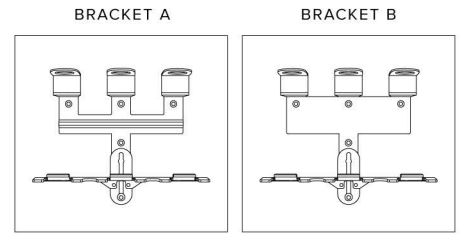


BOXY DISPENSER INSTALLATION GUIDE

PARTS INCLUDED IN INSTALLATION KIT

(SHAMPOO, CONDITIONER, AND BODY WASH ARE NOT INCLUDED)

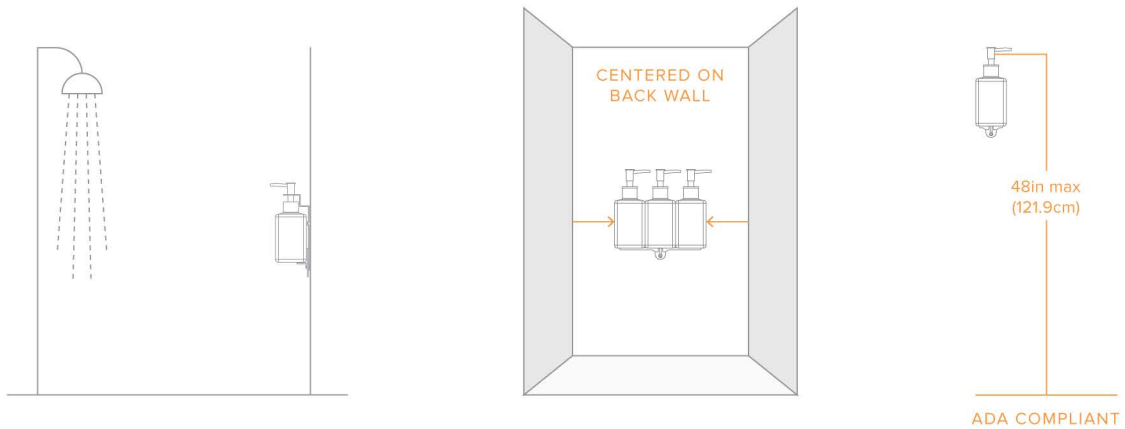
	PLUGS (Ø 8MM)	SCREWS (40x3MM PHILLIPS)			
SINGLE BRACKET	2x	2x		(1) SINGLE	
DOUBLE BRACKET	3x	3x		(1) DOUBLE	
TRIPLE BRACKET	4x	4x		(1) TRIPLE	



Bracket type may vary depending on order.

RECOMMENDED PLACEMENT GUIDE

ON THE BACK WALL, OPPOSITE OF THE SHOWER HEAD
(NOT TO SCALE)



RECOMMENDED TOOLS



ALCOHOL WIPE



LEVEL



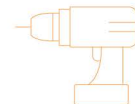
TAPE MEASURE



3MM HEX KEY



DOUBLE SIDED TAPE



POWER DRILL



SCREW DRIVER

CLEANING INFO

When bottles become empty, wash thoroughly with warm water and soap. Air dry completely before refilling with liquids. Between uses, clean with warm water and mild soap using a soft and damp cloth or brush. Dry with a soft cloth.

To deep clean the bottles and bracket, remove bottles first and clean items separately. To clean inside the bottle, gently remove pump from the bottle and remove any residue. Pump warm water through the pump and straw to flush out any remaining liquid. Dump any remaining product from the bottle, wash clean, then air dry the bottle completely. Refill bottle with matching liquid and tighten pump and straw back into place. Push pump until you have a continuous flow of liquid.

Avoid using acid, corrosive, or aggressive cleaning products which can damage the product surface finish.

Disclaimer: Hotel Emporium is not responsible for contamination of bacteria growth in dispensers due to infrequent and/or improper cleaning.

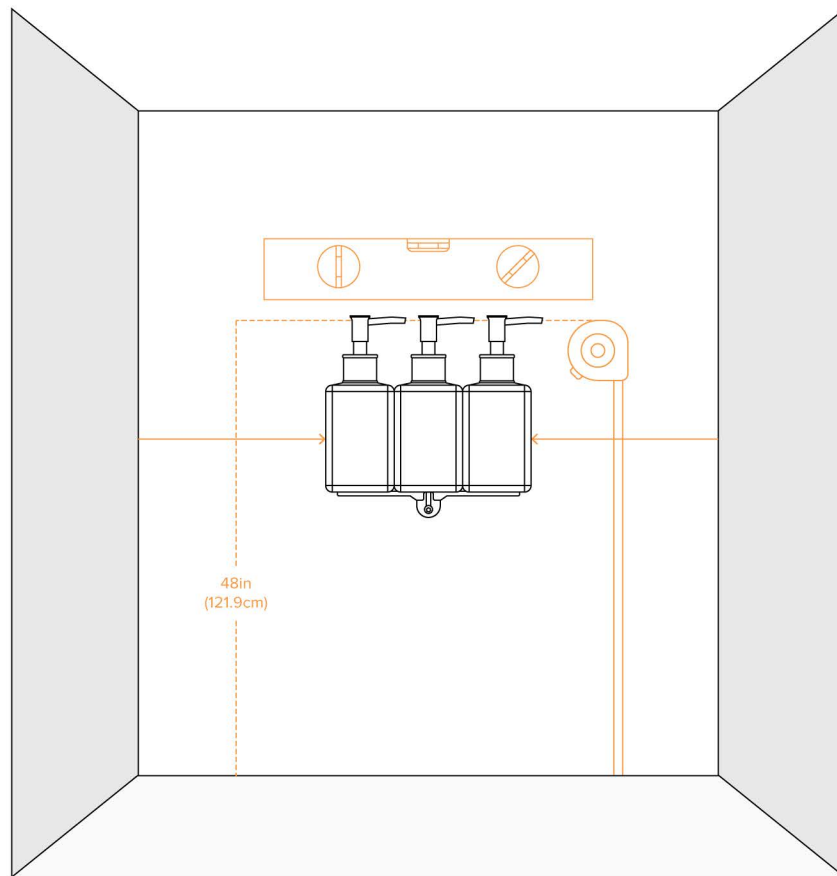
BOXY DISPENSER INSTALLATION GUIDE

1



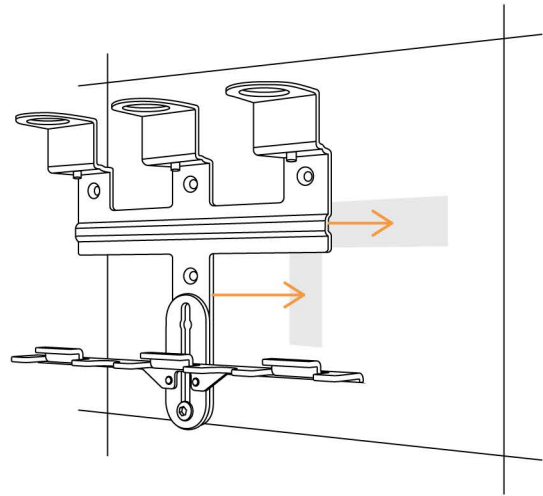
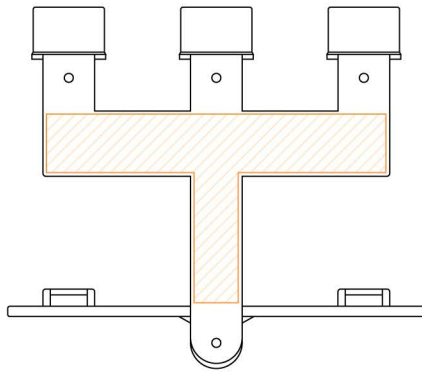
Clean wall surface with alcohol wipe.
Make sure surface is fully dry before installation.

2



Determine the proper placement of dispenser by using the brackets as guides and determine what type of installation is needed. Screws and adhesive in combination is recommended. Mark the bracket placement and make sure it is level. Recommended height is 48" from the floor to the pump of the dispensers.

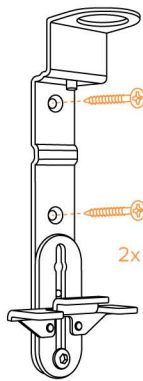
3A



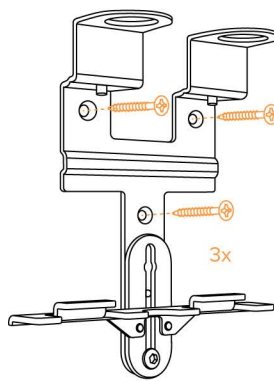
Tape Installation

1. Wipe bracket clean and dry before applying tape. Remove the protection strips of the tape on one side and stick it on the back side surface of the upper bracket part.
2. Remove the protection strip from the other side of the tape and stick the bracket on the wall. Let the tape cure for a **72 hours** before further installation of the dispensing bottles and the lower bracket assembly.

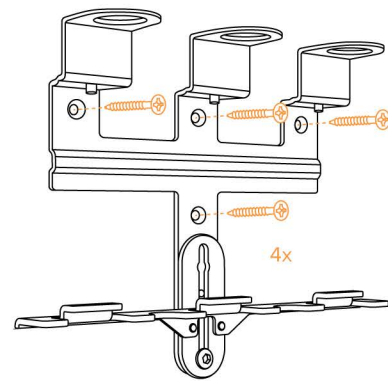
3B



Single



Double

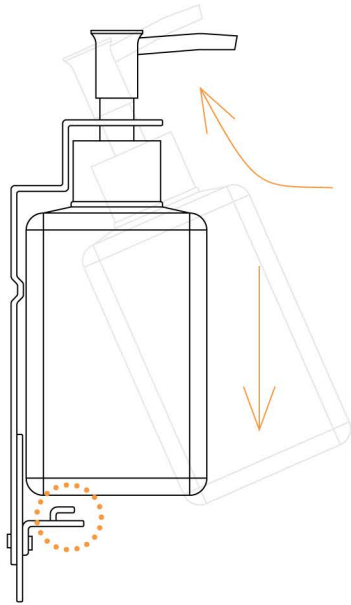


Triple

Screw Installation

1. Drill holes in the wall corresponding with the bracket holes and place the wall plugs in these holes. For drilling, we recommend to use drill size 8 (8mm), corresponding with the plugs included.
2. Fix the upper bracket by mounting the screws in the corresponding wall plugs. Refer to the image for the correct placement of the screws for a reliable and stable installation (per bracket version).

4

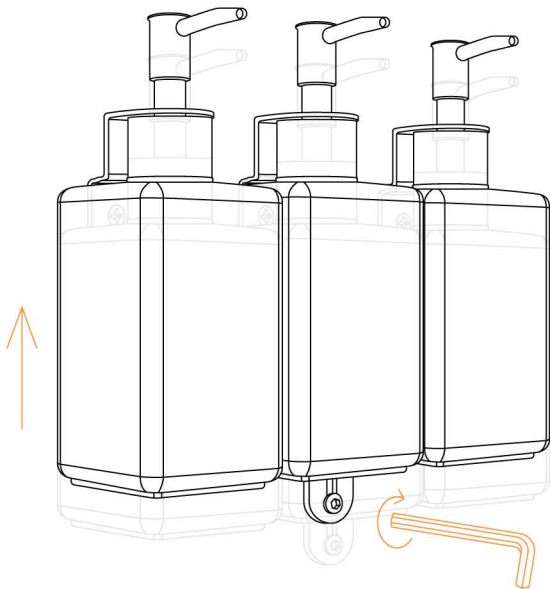


Using a hex key, slightly loosen the bottom screw of the lower bracket counter clockwise (half circle) and slide the bracket downwards.

Position the bottle(s) by directing the dispenser cap through the holes of the upper bracket.

Place the bottle(s) on the lower bracket and making sure it fits into the indentation at the bottom of the bottle.

5



Slide the lower bracket including the bottle(s) upwards until the bottles are firmly clamped between the lower and upper bracket part. Make sure the metal pin on the upper bracket fits into the indentation at the top of the bottle. Once positioned correctly, tighten the screw of the lower bracket by turning clockwise.

Dispenser is now ready to use!

To change and replace the bottles, Step 4-5 will be repeated each time the bottles are empty.