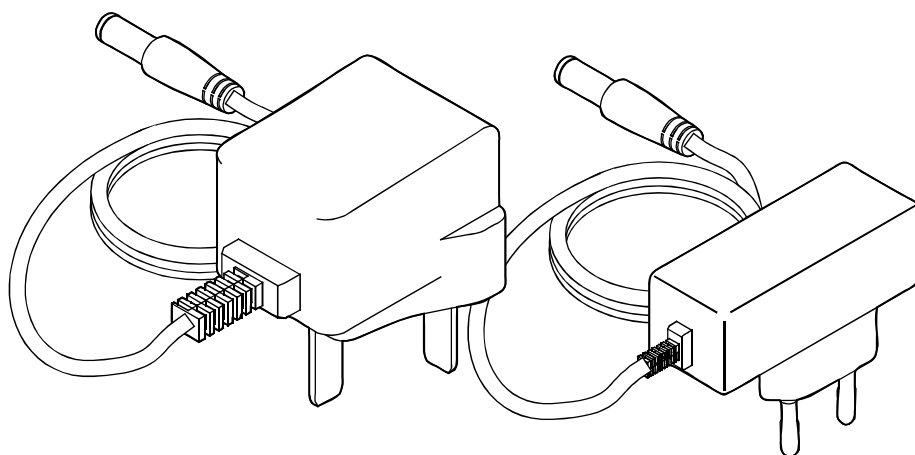
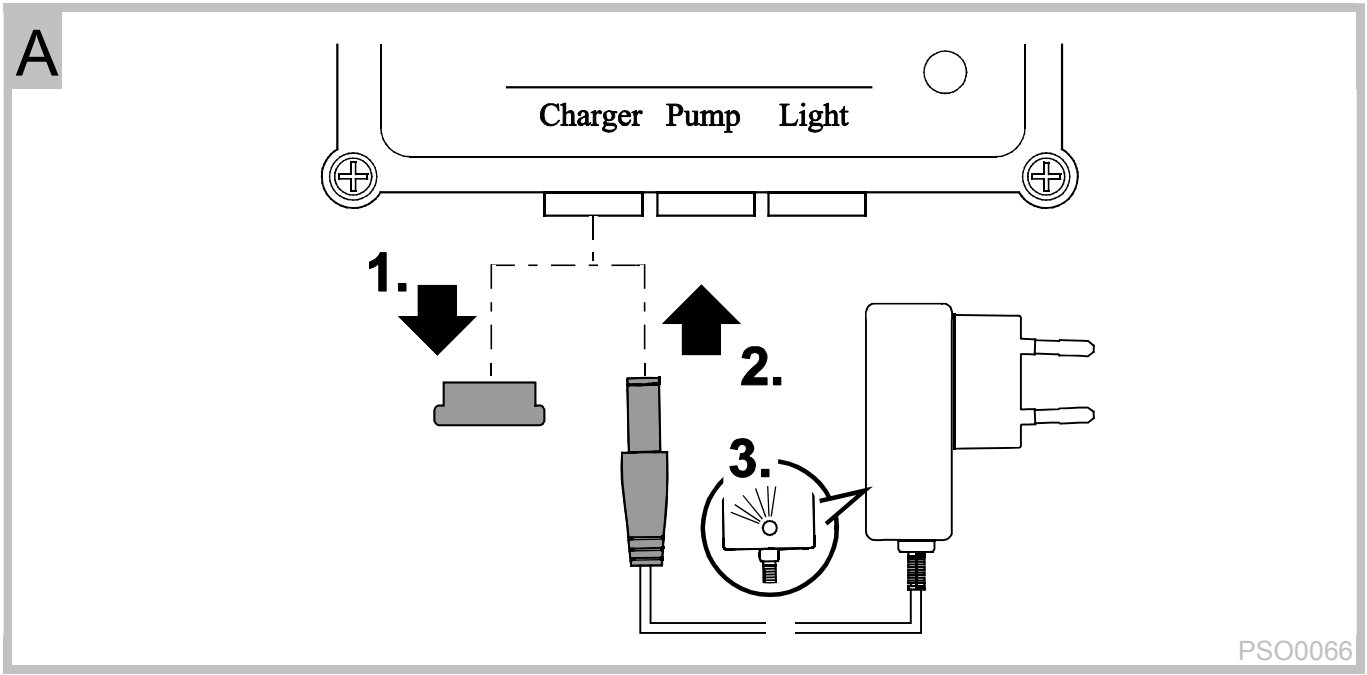
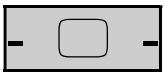




DE Gebrauchsanleitung
EN Operating instructions
FR Notice d'emploi
NL Gebruiksaanwijzing
ES Instrucciones de uso
PT Instruções de uso
IT Istruzioni d'uso
DA Brugsanvisning
NO Bruksanvisning
SV Bruksanvisning
FI Käyttöohje
HU Használati útmutató
PL Instrukcja użytkowania
CS Návod k použití
SK Návod na použitie
SL Navodila za uporabo
HR Uputa o upotrebi
RO Instrucțiuni de folosință
BG Упътване за употреба
UK Посібник з експлуатації
RU Руководство по эксплуатации

PondoSolar Charge





Translation of the original Operating Instructions

WARNING

- This unit can be used by children aged 8 and above and by persons with reduced physical, sensory or mental capabilities or lack of experience and knowledge if they are supervised or have been instructed on how to use the unit in a safe way and they understand the hazards involved.
- Do not allow children to play with the unit.
- Only allow children to carry out cleaning and user maintenance under supervision.
- A damaged connection cable cannot be replaced. Dispose of the unit.

Safety information

- Only use the device in a dry environment.
- Protect the plug connection from moisture.
- Disconnect the unit from the power supply during thunderstorms.
- Only connect the unit to a correctly fitted socket.
- Protect the unit from knocks or vibration.
- Never operate the unit if the housing is defective!
- Never operate the unit if any electrical cables are defective!
- Never carry or pull the unit by the electrical cable.
- Route cables such that they are protected from damage and do not present a tripping hazard.
- Never carry out technical changes to the unit.

Information about these operating instructions

These instructions apply to the device versions:

- Europlug (type CEE 7/16)
- BS 1363 three-pin plug (type BS 1363)

You made a good choice with the purchase of this product **PondoSolar Charge**. Prior to commissioning the unit, please read the instructions of use carefully and fully familiarise yourself with the unit. Ensure that all work on and with this unit is only carried out in accordance with these instructions.

Adhere to the safety information for the correct and safe use of the unit.

Keep these instructions in a safe place! Please also hand over the instructions when passing the unit on to a new owner.

Symbols used in these instructions



WARNING

- Indicates a possibly hazardous situation.
- Non-observance may lead to death or serious injuries.



NOTE

Indicates information intended to give the user a better understanding.

Additional information

- A Reference to a figure, e.g. Fig. A.
- Reference to another section.

Intended use

PondoSolar Charge, referred to in the following as "unit", may only be used as specified in the following:

- Only intended for charging the rechargeable battery of PondoSolar 250 Control or PondoSolar 600 Control.

The following restrictions apply to the unit:

- Only use indoors, never outdoors.
- Install at a dust-free location, protect from direct sunlight.
- Install at a location that is sufficiently cooled and suitably vented.

Connection

How to proceed:

A

Remove the blind plug from PondoSolar 250 Control or PondoSolar 600 Control. Insert the charger plug into the socket.

Connect the charger to the power supply socket.

- The LED on the charger is lit red: The rechargeable battery is being charged.
- The LED on the charger is lit green: The rechargeable battery is charged.



NOTE

After charging, insert the blind plug into the socket as far as it goes to close the PondoSolar 250 Control or PondoSolar 600 Control so that it is watertight.

Symbols on the unit

	Protection class II, reliable electrical isolation from the mains by reinforced or double insulation.
	For use indoors.
	Do not dispose of with household waste.
	Read and adhere to the instructions for use.

Technical data

Primary mains voltage	V AC	100 ... 240
Secondary rated voltage	V DC	9
Primary current consumption	mA	0 ... 200
Secondary rated current	mA	500
Protection type		IP 20
Ambient temperature, operation	°C	0 ... +40

Cleaning



WARNING

Danger to life due to electrocution, if liquid enters the unit interior.

- Disconnect the unit from the mains before starting cleaning work on the unit.
- Never use any liquids for cleaning.
- Only wipe clean the unit with a dry cloth.

Disposal



NOTE

This unit contains electronic components - do not dispose of this unit with domestic waste.

- Render the unit unusable by cutting off the cables.
- Dispose of the unit by using the return system provided for this purpose.

Guarantee conditions

PfG grants a 2 year guarantee from the date of sale on proven material and manufacturing faults. Prerequisite for our guarantee is the presentation of the purchase receipt. Our guarantee will become null and void if the unit is misused, electrically or mechanically damaged by inappropriate use and improper repair by non-authorized workshops. Repairs are reserved for workshops authorized by PfG or by PfG itself. In the case of warranty claims, please return the defective unit or part freight paid to PfG together with a description of the fault and the purchase receipt. PfG reserves the right to invoice repair costs. PfG is not liable for transport damage. Any damage must be claimed against the carrier. Further claims of whatever type, especially consequential damage, are excluded. This guarantee does not affect the final customer's claims against the dealer.