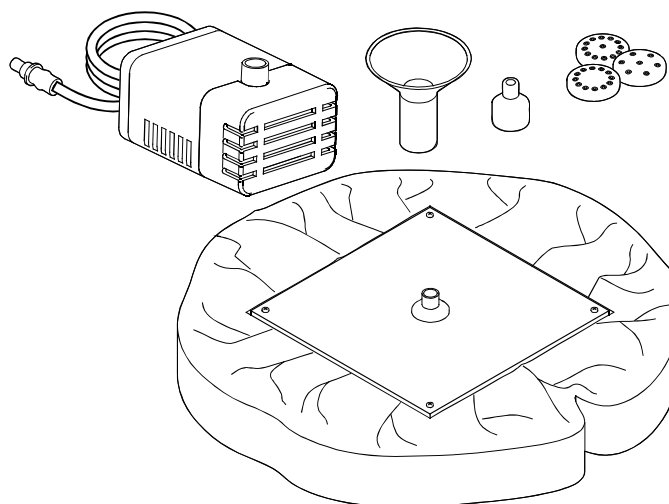




DE	Gebrauchsanleitung
EN	Operating instructions
FR	Notice d'emploi
NL	Gebruiksaanwijzing
ES	Instrucciones de uso
PT	Instruções de uso
IT	Istruzioni d'uso
DA	Brugsanvisning
NO	Bruksanvisning
SV	Bruksanvisning
FI	Käyttöohje
HU	Használati útmutató
PL	Instrukcja użytkowania
CS	Návod k použití
SK	Návod na použitie
SL	Navodila za uporabo
HR	Uputa o upotrebi
RO	Instrucțiuni de folosință
BG	Упътване за употреба
UK	Посібник з експлуатації
RU	Руководство по эксплуатации

PondoSolar Lily Island



Translation of the original Operating Instructions

WARNING

- This unit can be used by children aged 8 and above and by persons with reduced physical, sensory or mental capabilities or lack of experience and knowledge if they are supervised or have been instructed on how to use the unit in a safe way and they understand the hazards involved.
- Do not allow children to play with the unit.
- Only allow children to carry out cleaning and user maintenance under supervision.
- A damaged connection cable cannot be replaced. Dispose of the unit.

Safety information

- Never carry or pull the unit by the electrical cable.
- Only use original spare parts and accessories for the unit.
- Operate the pump exclusively with the solar module included in the delivery.
- Protect the unit from knocks or vibration.
- Never carry out technical changes to the unit.

Information about these operating instructions

You made a good choice with the purchase of this product **PondoSolar Lily Island**.

Prior to commissioning the unit, please read the instructions of use carefully and fully familiarise yourself with the unit. Ensure that all work on and with this unit is only carried out in accordance with these instructions.

Adhere to the safety information for the correct and safe use of the unit.

Keep these instructions in a safe place! Please also hand over the instructions when passing the unit on to a new owner.

Warnings used in these instructions



NOTE

Information for the purpose of clarification or for preventing possible damage to assets or to the environment.

Cross-references used in these instructions

A reference to a figure, e.g. figure A.

→ Reference to another section.

Scope of delivery

<input type="checkbox"/> A	Quantity	Description
1	1	Pump housing
2	1	Pump with outlet and connection line
3	1	Nozzle holding fixture
4	4	Nozzle attachment
5	1	Floater with integrated solar module

Intended use

PondoSolar Lily Island, referred to as "unit", may only be used as specified in the following:

- For creating a water fountain in a pond.
- For operation with clean water.
- Operate in accordance with instructions.

The following restrictions apply to the unit:

- Never use the unit with fluids other than water.
- Never run the unit without water.
- Do not use for commercial or industrial purposes.
- Do not use in conjunction with chemicals, foodstuff, easily flammable or explosive substances.
- Do not connect to the domestic water supply.

Installation and connection



NOTE

Prevent the pump from running dry. Otherwise the pump will be destroyed.

- Only operate the pump when it is immersed.

How to proceed:

B

1. Pull the stop plug from the connection.
 - The stop plug protects the electronic system from the water.
 - When the electrical plug is pulled, insert the stop plug.
2. Connect the pump with the floater.
3. Insert the connection line in the socket.
 - Push the plug completely into the socket (up to the stop) to ensure that the connection is water-tight.
 - Switching on: Connect the pump with the solar module.
 - Switching off: Disconnect the solar module from the pump.
4. Assemble the nozzle unit and install on floater.
5. Position the floater on the surface of the water.

Remedy of faults

Malfunction	Cause	Remedy
Pump does not start.	No connection to the solar module.	Connect the pump to the solar module. Correctly insert the connection cable.
	The solar module is soiled.	Clean
	The impeller unit is blocked	Clean
Insufficient or no pump delivery.	The filter is clogged.	Open the pump, remove and clean the filter.
	The nozzle unit is clogged.	Remove and clean the nozzle unit.
	The impeller unit is worn.	Replace
	Insufficient sunlight	Direct sunlight

Maintenance and cleaning

The unit has to be taken out of the water for cleaning or maintenance.

Cleaning the device

Recommendation regarding cleaning:

- Clean the unit as required but at least twice a year.
 - When cleaning the pump, pay particular attention to the cleaning of the impeller unit and pump housing.
-

- Do not use aggressive cleaning agents or chemical solutions as they could attack the housing or impair the function of the unit.
- Recommended cleaning agent for removing stubborn limescale deposits:
 - Pump cleaning agent PumpClean from OASE.
 - Vinegar- and chlorine-free household cleaning agent.
- Clean the outside of the pump.
 - Use a soft brush as an aid.
- After cleaning, thoroughly rinse all parts in clean water.

How to proceed:

1. Disassemble the unit.
2. Clean the filter housing and impeller unit. (→ Replacing the impeller unit)
3. Pull the nozzle unit apart.
4. Clean all parts.
 - Use a soft brush as an aid.
 - Rinse parts in clean water.
5. Clean the solar module with a damp cloth and wipe dry.
6. Reassemble the unit in the reverse order.

Replacing the impeller unit

How to proceed:

C

1. Pull the filter housing from the pump.
2. Remove the foam filter from the filter housing and rinse it out.
3. Pull the cover off the impeller unit (push-fit fastening, lever out carefully).
4. Pull out the impeller unit and clean or replace.
5. Reassemble the unit in the reverse order.

Wear parts

- Foam filter
- Impeller unit

Storage/overwintering

Observe the permissible operating temperature range. (→ Technical data)

- If the limit values are exceeded or gone below, it is necessary to remove the unit. Clean the unit thoroughly and check it for damage.
- Store the pump submerged and in a frost-free environment.

Disposal



NOTE

This unit contains electronic components - do not dispose of this unit with domestic waste.

- Render the unit unusable by cutting off the cables.
- Dispose of the unit by using the return system provided for this purpose.

Guarantee conditions

PfG grants a 2 year guarantee from the date of sale on proven material and manufacturing faults. Wear parts such as bulbs etc. are exempted from the guarantee. Prerequisite for our guarantee is the presentation of the purchase receipt. Our guarantee will become null and void if the unit is misused, electrically or mechanically damaged by inappropriate use and improper repair by non-authorized workshops. Repairs are reserved for workshops authorized by PfG or by PfG itself. In the case of warranty claims, please return the defective unit or part freight paid to PfG together with a description of the fault and the purchase receipt. PfG reserves the right to invoice repair costs. PfG is not liable for transport damage. Any damage must be claimed against the carrier. Further claims of whatever type, especially consequential damage, are excluded. This guarantee does not affect the final customer's claims against the dealer.