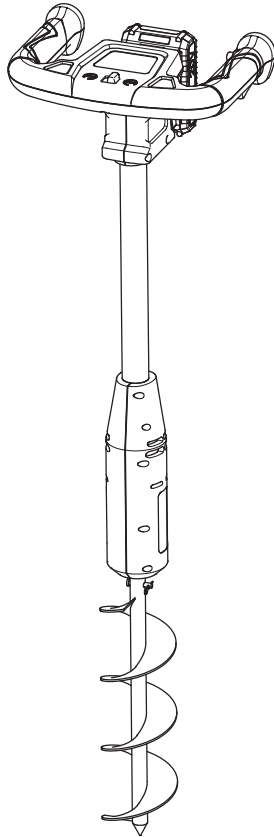




Cordless Earth Auger Operator's Manual



WARNING:

Read carefully and understand all INSTRUCTIONS before operating. Failure to follow the safety rules and other basic safety precautions may result in serious personal injury.

Save these instructions in a safe place and on hand so that they can be read when required.

Keep these instructions to assist in future servicing.

1. GENERAL POWER TOOL SAFETY WARNINGS

WARNING

Read all safety warnings and all instructions. Failure to follow the warnings and instructions may result in electric shock, fire and/or serious injury.

Save all warnings and instructions for future reference.

The term "power tool" in the warnings refers to your mains-operated (corded) power tool or battery-operated (cordless) power tool.

1) Work Area Safety

- a) **Keep work area clean and well lit.** Cluttered or dark areas invite accidents.
- b) **Do not operate power tools in explosive atmospheres, such as in the presence of flammable liquids, gases or dust.** Power tools create sparks which may ignite the dust or fumes.
- c) **Keep children and bystanders away while operating a power tool.** Distractions can cause you to lose control.

2) Electrical Safety

- a) **Power tool plugs must match the outlet. Never modify the plug in any way. Do not use any adapter plugs with earthed (grounded) power tools.** Unmodified plugs and matching outlets will reduce risk of electric shock.
- b) **Avoid body contact with earthed or grounded surfaces, such as pipes, radiators, ranges and refrigerators.** There is an increased risk of electric shock if your body is earthed or grounded.
- c) **Do not expose power tools to rain or wet conditions.** Water entering a power tool will increase the risk of electric shock.
- d) **Do not abuse the cord. Never use the cord for carrying, pulling or unplugging the power tool. Keep cord away from heat, oil, sharp edges or moving parts.** Damaged or entangled cords increase the risk of electric shock.
- e) **When operating a power tool outdoors, use an extension cord suitable for outdoor use.** Use of a cord suitable for outdoor use reduces the risk of electric shock.
- f) **If operating a power tool in a damp location is unavoidable, use a residual current device (RCD) protected supply.** Use of an RCD reduces the risk of electric shock.

3) Personal safety

- a) **Stay alert, watch what you are doing and use common sense when operating a power tool. Do not use a power tool while you are tired or under the influence of drugs, alcohol or medication.** A moment of inattention while operating power tools may result in serious personal injury.
- b) **Use personal protective equipment.** Always wear eye protection. Protective equipment such as dust mask, non-skid safety shoes, hard hat, or hearing protection used for appropriate conditions will reduce personal injuries.
- c) **Prevent unintentional starting. Ensure the switch is in the off-position before connecting to power source and/or battery pack, picking up or carrying the tool.** Carrying power tools with your finger on the switch or energising power tools that have the switch on invites accidents.
- d) **Remove any adjusting key or wrench before turning the power tool on.** A wrench or a key left attached to a rotating part of the power tool may result in personal injury.
- e) **Do not overreach. Keep proper footing and balance at all times.** This enables better control of the power tool in unexpected situations.
- f) **Dress properly. Do not wear loose clothing or jewellery. Keep your hair, clothing and gloves away from moving parts.** Loose clothes, jewellery or long hair can be caught in moving parts.

- g) **If devices are provided for the connection of dust extraction and collection facilities, ensure these are connected and properly used.** Use of dust collection can reduce dust-related hazards.

4) Power tool use and care

- a) **Do not force the power tool. Use the correct power tool for your application.** The correct power tool will do the job better and safer at the rate for which it was designed.
- b) **Do not use the power tool if the switch does not turn it on and off.** Any power tool that cannot be controlled with the switch is dangerous and must be repaired.
- c) **Disconnect the plug from the power source and/or the battery pack from the power tool before making any adjustments, changing accessories, or storing power tools.** Such preventive safety measures reduce the risk of starting the power tool accidentally.
- d) **Store idle power tools out of the reach of children and do not allow persons unfamiliar with the power tool or these instructions to operate the power tool.** Power tools are dangerous in the hands of untrained users.
- e) **Maintain power tools. Check for misalignment or binding of moving parts, breakage of parts and any other condition that may affect the power tool's operation. If damaged, have the power tool repaired before use.** Many accidents are caused by poorly maintained power tools.
- f) **Keep cutting tools sharp and clean.** Properly maintained cutting tools with sharp cutting edges are less likely to bind and are easier to control.
- g) **Use the power tool, accessories and tool bits etc. in accordance with these instructions, taking into account the working conditions and the work to be performed.** Use of the power tool for operations different from those intended could result in a hazardous situation.

5) Battery tool use and care

- a) **Recharge only with the charger specified by the manufacturer.** A charger that is suitable for one type of battery pack may create a risk of fire when used with another battery pack.
- b) **Use power tools only with specifically designated battery packs.** Use of any other battery packs may create a risk of injury and fire.
- c) **When battery pack is not in use, keep it away from other metal objects, like paper clips, coins, keys, nails, screws or other small metal objects, that can make a connection from one terminal to another.** Shorting the battery terminals together may cause burns or a fire.
- d) **Under abusive conditions, liquid may be ejected from the battery; avoid contact. If contact accidentally occurs, flush with water.** If liquid contacts eyes, additionally seek medical help. Liquid ejected from the battery may cause irritation or burns.

6) Service

- a) **Have your power tool serviced by a qualified repair person using only identical replacement parts. This will ensure that the safety of the power tool is maintained.**

2. CORDLESS AUGER SAFETY WARNINGS

- a) Replace auger pin if it is bent or damaged. Replace augers if cracked, bent, or damaged in any way. Operating the tool with a damaged auger can result in serious injury.
- b) Be sure the auger bit and handles are properly installed and securely fastened. Failure to do so can cause serious injury.
- c) Use only the manufacturer's replacement augers. Do not use any other attachment.
- d) Do not modify the product in any way or use it to power any attachments or devices not recommended by the manufacturer.
- e) Hold the tool with both hands at the intended handles. Never use the auger with the handles above waist level. Operation above the waist restricts control of the auger and may increase

the risk of injury.

- f) Before starting the product, make sure the bit is not contacting any object.
- g) Do not touch the auger bit when the product is switched on. Keep all parts of the body away from the auger. The auger will continue to move after the switch is turned off. A moment of inattention while operating the auger may result in serious personal injury.
- h) If the auger bit jams, stop the product immediately.
- i) Do not use the product when there is a possibility of thunderstorm or lightning. Store the product safely indoors.
- j) Hold the auger tool by insulated gripping surfaces only, because the auger may contact hidden wiring. The auger contacting a "live" wire may make exposed metal parts of the auger "live" and could give the operator an electric shock.

3. IMPORTANT SAFETY INSTRUCTIONS FOR BATTERY AND CHARGER BATTERY

- a) Battery must be fully charged before first use.
- b) Insert charger pin to battery. Plug the charger into a 100-240 AC outlet, the LEDs on battery should flashing. Charge the battery until all LEDs turn solid green.
- c) Always charge the battery at room temperature (safety temperature range is 41°F (5°C) to 105°F (40.5°C). If the battery is used in a cold environment, allow it to warm up for at least an hour before charging. Cold batteries will not be charged completely and battery components may be damaged.
- d) Only charge battery in well ventilated area away from flammable materials such as cloth or carpeting.
- e) To disconnect charger, remove the plug from outlet, then disconnect the charger from the battery.
- f) DO NOT leave the charger being connected to the battery for more than 24 hours.
- g) The battery status indicator is mounted on the top of the battery to allow you to observe the level of the battery power while in use. To check the charge level, simply press the indicator button. The lights on the status indicator show the charge level of the battery.
 - (a) Three LEDs are flashing in sequentially green: 0~30% battery charge;
 - (b) One LED is solid green, and two LEDs are flashing green: 30%~60% battery charge;
 - (c) Two LEDs are solid green, and one LED is flashing green: 60%~100% battery charge;
 - (d) All LEDs are solid green: fully charged.
- h) If battery becomes warm or hot during charging procedure, disconnect it from charger. Allow battery to return to room temperature, and attempt to charge again. If this persists a second time, disconnect battery from charger and contact customer service.
- i) Battery Maintenance Responsibility: Fully charge and discharge the battery at least once every 8 months to maintain battery's health.
- j) Store the battery on a full charge.
- k) When battery pack is not in use, keep it away from other metal objects like paper clips, coins, keys, nails, screws, or other small metal objects that can make a connection from one terminal to another. Shorting the battery terminals together may cause burns or fire.

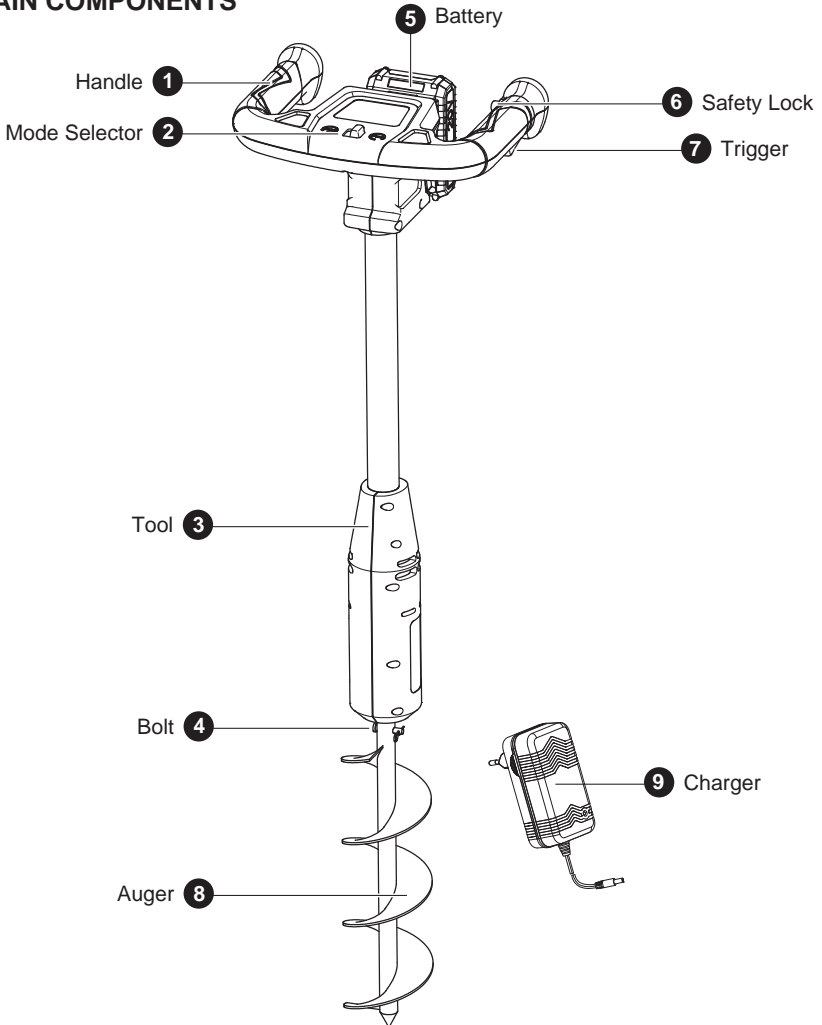
CHARGER

- a) The provided charger has a built-in overcharge protection to prevent the battery from being overcharged.
- b) Charging time is approximately 2.6 hours for a fully discharged battery.
- c) Regularly inspect the charger for damage to the cord, plug, enclosure and other parts. In the event of such damage, the charger must not be used until it has been repaired or replaced.
- d) Unplug the charger from the wall outlet when not in use. **As a safety mechanism, when the charger stops charging because the battery is full, the charger must be reset by unplugging it from the wall outlet before it will resume charging.**
- e) Use only the charger supplied with this scooter or a recommended replacement specified by SuperHandy. Failure to confirm compatibility, properly install, operate and maintain any charger, component or accessory can result in serious injury or death.

4. TECHNICAL SPECIFICATIONS

| | |
|----------------------------------|---|
| SKU# | GUT141 |
| Motor | 20V DC, 350W Brush Motor |
| No-load Speed | 550RPM |
| Max Torque | 5.2ft-lb (7.0Nm) |
| Auger Bit | 3"x12" (8x30cm) |
| Battery | Max. 20V DC 4.0Ah |
| Charger | Input: 100-240V~, 50/60Hz; Output: 21.5V DC, 1.5A |
| Safety | Overload Protection |
| Net Weight (With Battery) | 6.2lbs (2.8kg) |

5. MAIN COMPONENTS

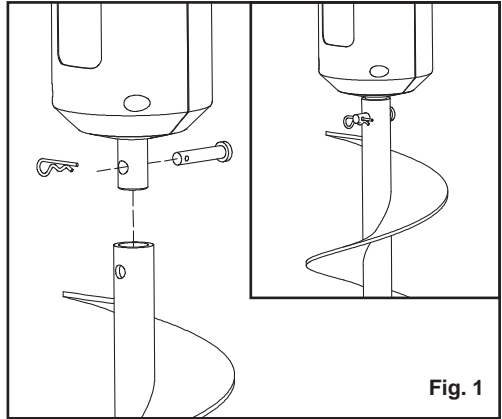


6. ASSEMBLY

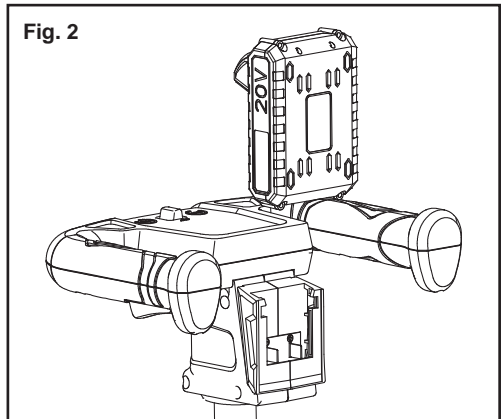
UNPACKING

When unpacking, check all the parts shown on the Parts list are included. If any parts are missing or broken, please call service number shown in this manual as soon as possible.

1. Take the tool and auger bit out of box.
2. Insert the auger to the spindle of tool, then fixed by bolt and R-shape pin. (See Fig.1)



3. Insert the battery for standby. (See Fig.2)



7. OPERATION

1. Select mode between forward and reverse. (See Fig.3)

Forward – Auger bit spins clockwise to dig into the ground.

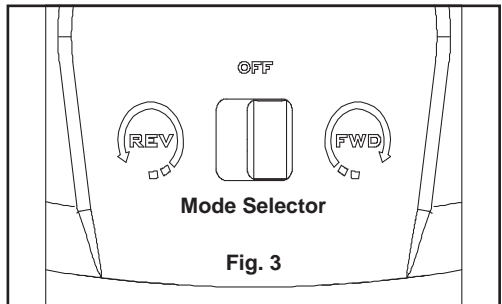
Reverse – Auger bit spins counter-clockwise to reverse out of the ground.

OFF – Auger bit stay in idle.

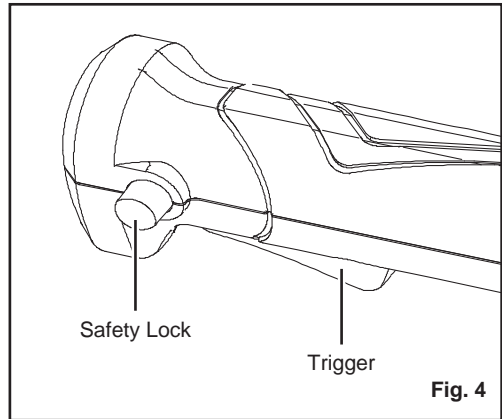
2. Assume a secure stance and grip the auger handles firmly with both hands. Position the auger battery away from your body. Ensure the auger is perpendicular (90°) to the ground.

WARNING

Always keep both hands on the handles. Improper operation of the tool may result in serious injury.



3. Push the safety lock and then press the trigger (**See Fig.4**). Allow the bit turning a couple of seconds to speed up before digging into the ground.
4. As the hole begins to fill up, periodically lift the auger out to clear the debris.
5. Release the trigger and remove the battery when not in use or before transporting the tool.



8. MAINTENANCE

⚠ WARNING

Always switch the product off, remove the battery, and let the product cool completely before inspecting, cleaning or performing any other maintenance task.

⚠ WARNING

Only perform the repairs and maintenance work described in this manual. Any other work must be performed by a qualified technician.

Keep the product clean. Remove any debris after each use and before storage.

- Clean the product with a dry cloth. Use a brush for areas that are hard to reach.
- Be sure to clean the air vents after every use with a brush or compressed air.

9. STORAGE

- Remove the battery from the tool before storing.
- Store the tool and its accessories in a dry, frost-free, and well-ventilated place out of the reach of children.
- The ideal storage temperature is between 50°F (10°C) and 86°F (30°C).
- Recommend using the original packaging or covering the product with a cloth for storage to protect it against excessive dust build up.

10. WARRANTY

Twelve (12) months for workmanship of the product, except for wearing parts. Warranty period starts from the product purchase date. Warranty covers material quality and workmanship only. Warranty does not cover product for issues caused by improper usage or any operation not in accordance with the specifications of this manual. Any modification or tampering with the product in any way voids the warranty.



Great Circle USA
Support Line: 1-866-493-0524
help@greatcircleus.com
www.greatcircleus.com