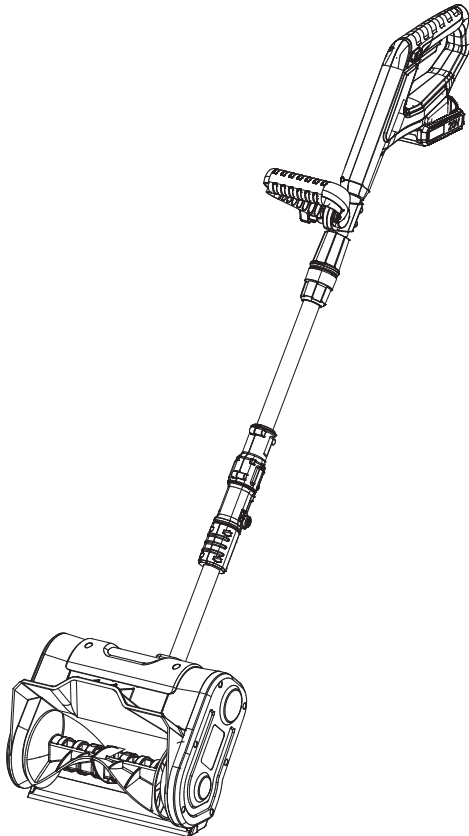




10" Cordless Snow Thrower Operator's Manual



WARNING:

Read carefully and understand all **INSTRUCTIONS** before operating. Failure to follow the safety rules and other basic safety precautions may result in serious personal injury. Save these instructions in a safe place and on hand so that they can be read when required. Keep these instructions to assist in future servicing.

PRODUCT SPECIFICATIONS

20V MAX 10" SNOW SHOVEL	
SKU#	GUT055
Voltage	20V
Clearing width	10"/25.4cm
Maximum snow intake height	6"/16cm
Maximum throwing distance	20'/6m
Weight	10 lbs. /4.5 kgs

BATTERY AND CHARGER	
Battery voltage	20V 2.0 Ah Li-ion
Charger	Up to 70 minutes, Class 2

Need Assistance?

Call us on our toll-free customer support line 1-866-493-0524 (Monday through Friday, 9am-5pm, Eastern Standard Time) .

1. Technical questions.
2. Replacement parts.
3. Parts missing from package.

GENERAL SAFETY WARNINGS

ALL OPERATORS MUST READ THESE INSTRUCTIONS BEFORE USE.

WARNING

Before using this tool or any of its accessories, read this manual and follow all Safety Rules and Operating Instructions. The important precautions, safeguards and instructions appearing in this manual are not meant to cover all possible situations. It must be understood that common sense and caution are factors which cannot be built into the product.

WEAR EYE PROTECTION

WEAR A FACE MASK

WEAR EAR PROTECTION

ELECTRICAL SAFETY

WARNING

Use proper circuit protection.

Ventilation openings in batteries and chargers must always be to allow cooling air to circulate freely. Air vents that are blocked, restricted or covered may result in the battery or charger overheating. Overheating may lead to damage to the tool or cause a fire resulting in possible serious injury.

WORK AREA SAFETY

Keep work area clean and well lit. Cluttered or dark areas invite accidents.

Do not operate snow shovel in explosive atmospheres, such as in the presence of flammable liquids, gases, or dust. Power tools create sparks which may ignite dust or fumes.

Keep children and bystanders away while operating a power tool.

Distractions can cause you to lose control.

Do not expose the snow shovel to rain or wet locations. Water entering a shovel will increase the risk of electric shock.

SPECIFIC SAFETY RULES

WARNING

Read, understand and follow all instructions on the machine and in the manual before operating this unit.

Thoroughly familiarize yourself with the controls and the proper use of the equipment. Know how to stop the unit and disengage the controls quickly.

Children should never be allowed access to the equipment. Adults should never operate the equipment without carefully reading and understanding these instructions

Keep the area of operation clear of all persons, particularly small children and Exercise caution to avoid slipping or falling.

Thoroughly inspect the area where the equipment is to be used and remove all doormats, sleds, boards, wires and other foreign objects.

Do not attempt to clear snow from a gravel or crushed rock surface. This product is intended for use only on paved surfaces.

Never attempt to make any adjustments while the motor is running (except when specifically recommended by the manufacturer).

Do not put hands or feet near or under rotating parts. Keep clear of the discharge opening at all times.

Exercise extreme caution when operating on or crossing gravel drives, walks or roads. Stay alert for hidden hazards or traffic.

After striking a foreign object, stop the motor. Thoroughly inspect the cordless snow shovel for any damage, and repair the damage before restarting and operating the cordless snow shovel.

If the unit should start to vibrate abnormally, stop the motor and check the unit immediately to ascertain the cause. Vibration is generally a sign of trouble.

Stop the motor and remove the battery whenever you leave the operating position, when transporting the unit, before unclogging the rotor blade housing and when making any repairs, adjustments or inspections to the unit.

When cleaning, repairing or inspecting the cordless snow shovel, make sure that all moving parts have come to a complete stop before beginning work. Exercise extreme caution when operating on slopes.

Look behind and use care when backing up with the cordless snow shovel. Never operate the cordless snow shovel without good visibility or light. Always be sure of your footing, and keep a firm hold on the handles. Walk, never run with the unit.

WARNING

CLEARING A CLOGGED ROTOR HOUSING

Hand contact with the rotating rotor blades Inside the rotor housing is the most common cause of Injury associated with cordless snow shovels. Never use your hands to clear a clogged rotor housing.

To clear the rotor housing:

1. Shut the motor off and remove the battery.
2. Wait 10 seconds to be sure the rotor blades have come to a complete stop.
3. Always use a clean-out tool, not your hands, to free the rotating blades.

MAINTENANCE AND STORAGE

Check all fasteners at frequent intervals for proper tightness to ensure that the equipment is In safe working condition.

Always refer to the operators' manual for important details, such as how to properly store your cordless snow shovel for an extended period of time.

Maintain or replace safety and instruction labels as needed.

Run the machine a few minutes after throwing snow to prevent the rotor blades from freezing.

BATTERY AND CHARGER SAFETY INSTRUCTIONS

IMPORTANT

Analyses confirm that incorrect use and poor care of high-performance batteries are the main factors responsible for personal and/or product damage.

WARNING

Use only approved replacement batteries; other batteries may damage the cordless snow shovel and cause it to malfunction, which can lead to serious personal injury.

WARNING

Do not use a battery pack or appliance that is damaged or modified. Damaged or modified batteries may exhibit unpredictable behavior resulting in fire, explosion or risk of injury. Do not modify or attempt to repair the appliance or the battery pack except as indicated in the instructions for use and care.

Have your battery pack serviced by a qualified repair person using only identical replacement parts. This will ensure that the safety of the battery pack is maintained.

CAUTION

To reduce the risk of injury, charge the 20V lithium-ion battery pack only in its designated lithium-ion charger. Other types of chargers present risk of fire, personal injury and damage. Do not wire a battery pack to a power supply plug or car cigarette lighter. Such misuse will permanently disable or damage the battery pack.

Avoid dangerous environments- Do not charge the battery pack in rain, snow or in damp or wet locations. Do not use the battery pack or charger in the presence of explosive atmospheres (gaseous fumes, dust or flammable materials because sparks may be generated when inserting or removing the battery pack which could lead to a fire).

Charge in a well-ventilated area - Do not block the charger vents. Keep them clear to allow for proper ventilation. Do not allow smoking or open flames near a charging battery pack. Vented gases may explode.

NOTE: The safe temperature range for the battery is 41°F-105°F/5°C-40.5°C. Do not charge the battery outside in freezing weather, charge it at room temperature.

Charger is rated for 100~240V volt AC only - The charger must be plugged into an appropriate receptacle.

Use only recommended attachments- Use of an attachment not recommended or sold by the battery charger or battery pack manufacturer may result in risk of fire, electric shock or personal injury.

Unplug charger when not in use- Make sure to remove battery packs from unplugged chargers

WARNING

To reduce the risk of electric shock, always unplug the charger before performing any cleaning or maintenance. Do not allow water to flow into the charger. Use a Ground Fault Circuit Interrupter (GFCI) to reduce shock hazards.

Do not burn or incinerate battery packs- Battery packs may explode, causing personal injury or damage. Toxic fumes and materials are created when battery packs are burned.

Do not crush, drop or damage battery packs- Do not use the battery pack or charger if they have sustained a sharp blow, been dropped, run over or have been damaged in any way (i.e. pierced with a nail, hit with a hammer, stepped).

Do not disassemble- Incorrect reassembly may pose a serious risk of electric shock, fire or exposure to toxic battery chemicals.

Battery chemicals cause serious burns- Never let a damaged battery pack contact the skin, eyes or mouth. If a damaged battery pack leaks battery chemical, use rubber or neoprene gloves to safely dispose of it. If skin is exposed to battery fluids, wash the affected area with soap and water and rinse with vinegar. If eyes are exposed to battery chemicals, immediately flush with water for 20 minutes and seek medical attention. Remove and dispose of contaminated clothing

Do not short circuit- A battery pack will short circuit if a metal object makes a connection between the positive and negative contacts on the battery pack.

Do not place a battery pack near anything that may cause a short circuit, such as paper clips, coins, keys, screws, nails and other metallic objects. A short-circuited battery pack poses a risk of fire and severe personal injury.

Store your battery pack and charger in a cool, dry place- Do not store the battery pack or charger where temperatures may exceed 105 °F /40.5 °C, such as in direct sunlight or inside a vehicle or metal building during the summer.

INFORMATION ABOUT THE BATTERY

1. The battery pack supplied with your cordless snow shovel is only partially charged. The battery pack has to be charged completely before you use the tool for the first time.
2. For optimum battery performance, avoid low discharge cycles by charging.
3. Store the battery pack in a cool place, ideally at 77°F/25°C and charged to at least 40%.
4. Lithium-ion batteries are subject to a natural aging process. The battery pack must be replaced at the latest when its capacity falls to just 80% of its capacity when new Weakened cells in an aged battery pack are no longer capable of meeting the high-power requirements needed for the proper operation of your snow shovel, and therefore pose a safety risk.
5. Do not throw battery packs into an open fire as this poses a risk of explosion.
6. Do not ignite the battery pack or expose it to fire.
7. Do not exhaustively discharge batteries. Exhaustive discharge will damage the battery cells. The most common cause of exhaustive discharge is lengthy storage or nonuse of partially discharged batteries. Stop working as soon as the performance of the battery falls noticeably or the electronic protection system triggers. Place the battery pack in storage only after it has been fully charged
8. Protect batteries and the tool from overloads. Overloads will quickly result in overheating and cell damage inside the battery housing even if this overheating is not apparent externally
9. Avoid damage and shocks. Immediately replace batteries that have been dropped from a height of more than one meter or those that have been exposed to violent shocks, even if the housing of the battery pack appears to be undamaged. The battery cells inside the battery may have suffered serious damage. In such instances, please read the waste disposal information for proper battery disposal
10. If the battery pack suffers overloading and overheating, the integrated protective cutoff will switch off the equipment for safety reasons.

IMPORTANT

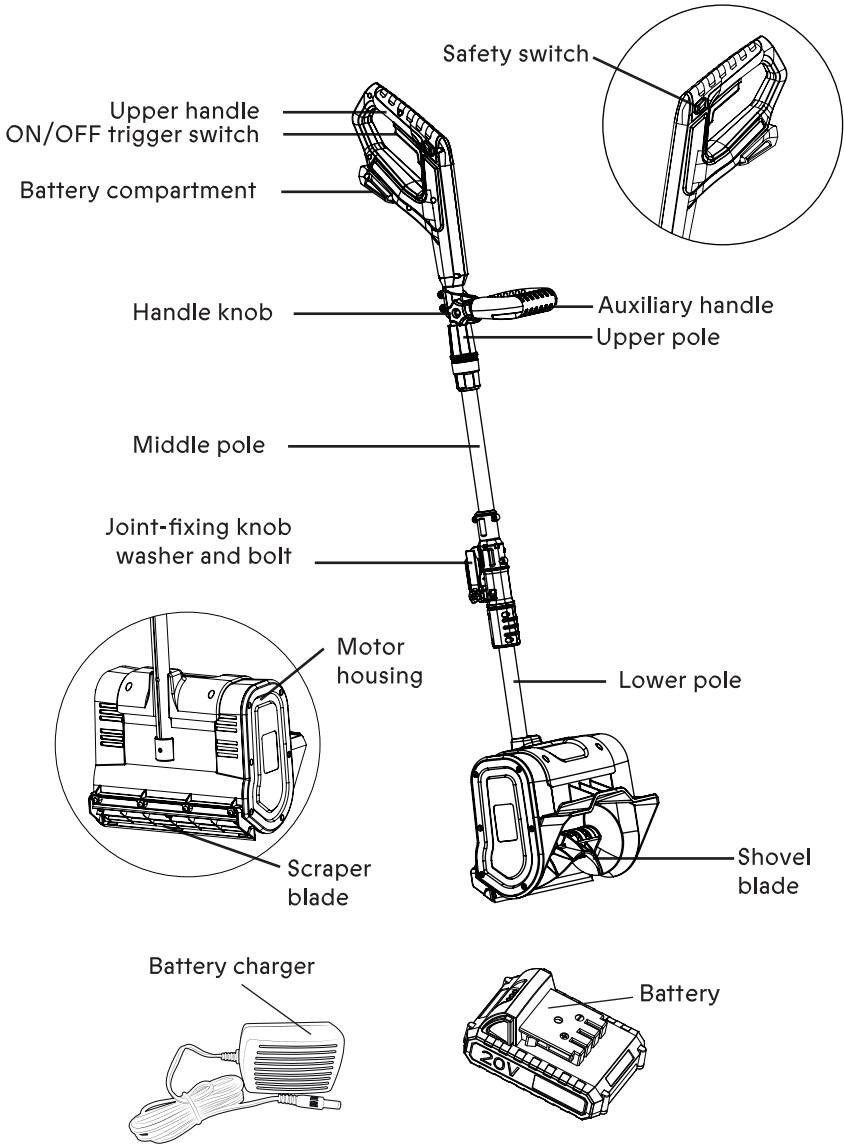
Do not press the ON/OFF switch anymore if the protective cut off has been activated. This may damage the battery pack.

11. Use only original battery packs. The use of other batteries poses a fire risk and may result in injuries or an explosion.

INFORMATION ABOUT THE CHARGER AND THE CHARGING PROCESS

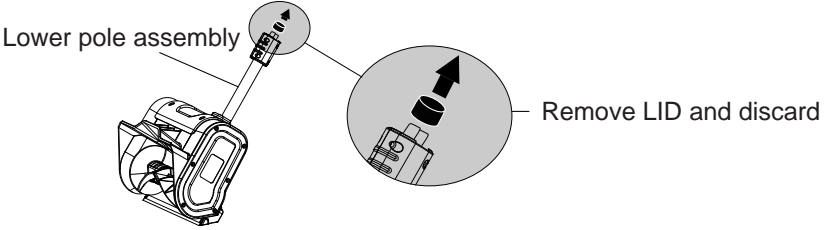
1. Please check the data marked on the rating plate of the battery charger. Be sure to connect the battery charger to a power supply with the voltage marked on the rating plate. Never connect it to a different charger voltage.
2. Protect the battery charger and its cord from damage. Keep the charger and its cord away from heat, oil and sharp edges.
3. Electrical plugs must match the outlet. Never modify the plug in any way. Do not use any adapter plugs with grounded appliances. Unmodified plugs and matching outlets will reduce the risk of electric shock.
4. Keep the battery charger, battery pack(s) and the cordless tool out of the reach of children.
5. Do not use the supplied battery charger to charge other cordless tools unless indicated as compatible by the manufacturer.
6. During periods of heavy use, the battery pack will become warm. Allow the battery pack to cool to room temperature before inserting it into the charger to recharge.
7. Do not overcharge batteries. Do not exceed the maximum charging times. These charging times only apply to discharged batteries. Frequent insertion of a charged or partially charged battery pack will result in overcharging and cell damage. Do not leave batteries in the charger for days on end.
8. Never use or charge batteries if you suspect that it has been more than 12 months since the last time they were charged. There is a high probability that the battery pack has already suffered dangerous damage (exhaustive discharge).
9. Charging batteries at a temperature below 41°F /5°C will cause chemical damage to the cells and may cause a fire.
10. Do not use batteries that have been exposed to heat during the charging process, as the battery cells may have suffered dangerous damage.
11. Do not use batteries that have suffered curvature or deformation during the charging process or those that exhibit other atypical symptoms (gassing, hissing, cracking, etc.)

KNOW YOUR SNOW SHOVEL

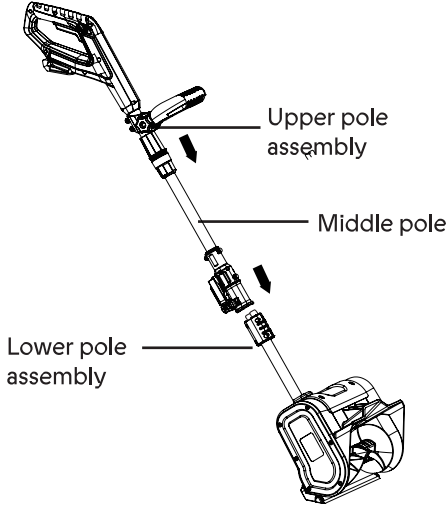


CONNECTING THE POLES

1. Remove the LID from the lower pole assembly.

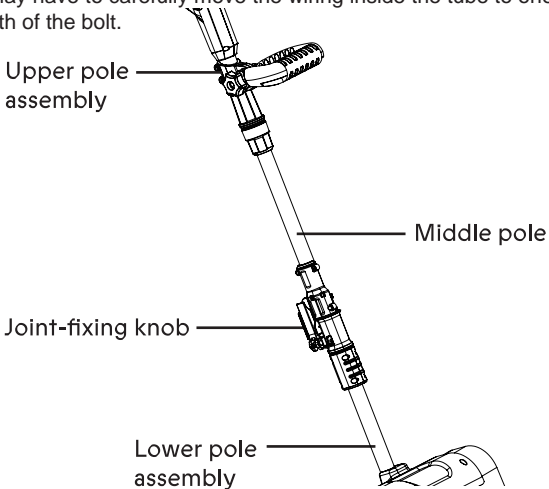


2. Slide the middle pole into the lower pole assembly and the upper pole assembly. Align the screw holes.



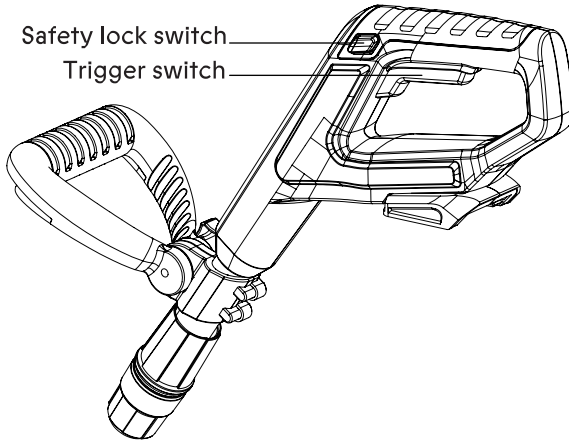
3. Insert the joint-fixing knobs through the aligned holes in the poles and secure the other end with the washers and the Joint-fixing knobs.

NOTE: You may have to carefully move the wiring inside the tube to one side if it Blocks the path of the bolt.



STARTING THE MACHINE

To start the cordless snow shovel, push and hold the safety lock switch on the side of the handle grip with your thumb and then squeeze the trigger switch with your fingers. Once the machine powers on, you can release the safety lock switch and proceed with operation.

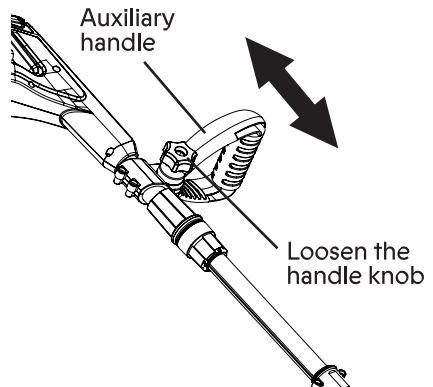
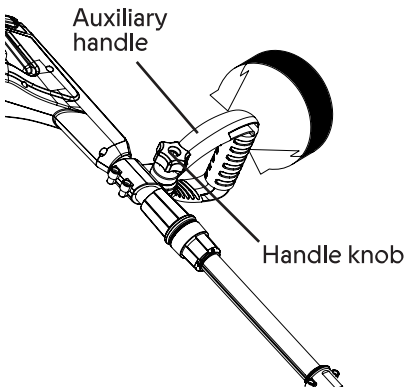


To stop the cordless snow shovel, release the trigger switch.

HANDLE ADJUSTMENT

To adjust the angle of the auxiliary handle, follow the instructions below.

1. Stop the machine and remove the battery. Wait until the blade comes to a complete stop.
2. Loosen the auxiliary handle by turning the handle knob counterclockwise. Rotate the auxiliary handle to a comfortable position.



3. Fix the handle by tightening the handle knob. Insert the battery and resume working

To adjust the location of the auxiliary handle, follow the instructions below.

1. Stop the machine and remove the battery. Wait until the blade comes to a complete stop
2. Loosen handle knob slightly and slide auxiliary handle as needed to desired location.

Retighten handle knob securely. Insert the battery and resume working. **NOTE:** In order to prevent the auxiliary handle from moving around or sliding on the pole, be sure to tighten securely.

POLE LENGTH ADJUSTMENT

1. Turn counter clockwise to loosen the knob near the auxiliary handle, pull out the middle pole to get the proper working length. And then turn the knob clockwise to tighten.
2. When storage, loosen the knob, push down upper pole to get a minimum length, and then tighten the knob. Save the storage space.



OPERATING TIPS

1. Start the cordless snow shovel. Push the shovel forward at a comfortable rate, yet slow enough to clear the path completely. The clearing width of the snow shovel and the depth of snowfall should dictate your forward speed.
2. Direct the snow discharge to the right or to the left by holding the cordless snow shovel at a slight angle.
3. To remove snow most efficiently, throw the snow downwind and slightly overlap each swath.
4. This cordless snow shovel cuts a path 10"/25.4cm wide and up to 6"/16cm deep.
5. When clearing deeper drifts, hold the cordless snow shovel by the upper and lower handles and use a swinging or sweeping motion. Remove up to 6"/16cm.
6. Remove the battery after using the cordless snow shovel. Hang the shovel so it will not be misplaced or damaged.



Great Circle USA
Support Line: 1-866-493-0524
help@greatcircleus.com
www.greatcircleus.com