



Professional Cord Reel Instruction Manual



WARNING:

Read carefully and understand all **INSTRUCTIONS** before operating. Failure to follow the safety rules and other basic safety precautions may result in serious personal injury. Save these instructions in a safe place and on hand so that they can be read when required. Keep these instructions to assist in future servicing.



GENERAL SAFETY REGULATIONS



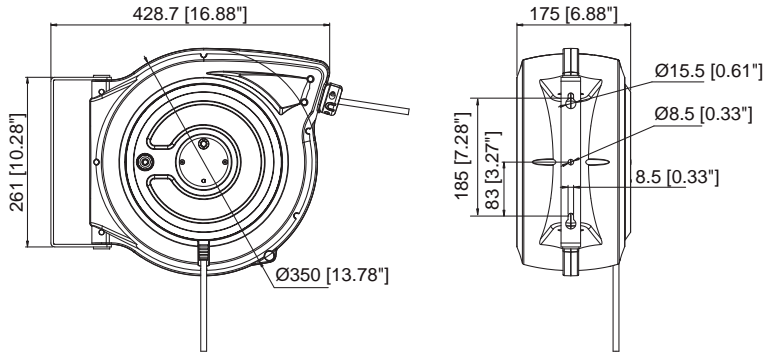
WARNING: The warnings, cautions, and instructions discussed in this instruction manual cannot cover all possible conditions or situations that could occur. It must be understood by the operator that common sense and caution are factors that cannot be built into this product, but must be supplied by the operator.

1. Keep the work area clean and dry. Damp or wet work areas can result in injury.
2. Keep children away from work area. Do not allow children to handle this product.
3. Use the right tool for the job. Do not attempt to force small equipment to do the work of larger industrial equipment. There are certain applications for which this equipment was designed. It will do the job better and more safely at the capacity for which it was intended. Do not modify this equipment, and do not use this equipment for a purpose for which it was not intended.
4. Check for damaged parts. Before using this product, carefully check that it will operate properly and perform its intended function. Check for damaged parts and any other conditions that may affect the operation of this product. Replace damaged or worn parts immediately.
5. Do not overreach. Keep proper footing and balance at all times to prevent tripping, falling, back injury, etc.
6. DO NOT use the equipment when tired or under the influence of drugs, alcohol, or medication. A moment of inattention while operating this equipment may result in serious personal injury.

Your risk from these exposures varies, depending on how often you do this type of work. To reduce your exposure to these chemicals: work in a well ventilated area, and work with approved safety equipment, such as those dust masks that are specially designed to filter out microscopic particles.

TECHNICAL DETAILS

Item No.	Specification of Cord					Volt (V)	Ampere (A)
	AWG	Number of Core	Socket	Type	Length (ft)		
GUR076	12	3	S3	SJTOW	50	125	15
GCAR026	12	3	S3	SJTOW	50	125	15



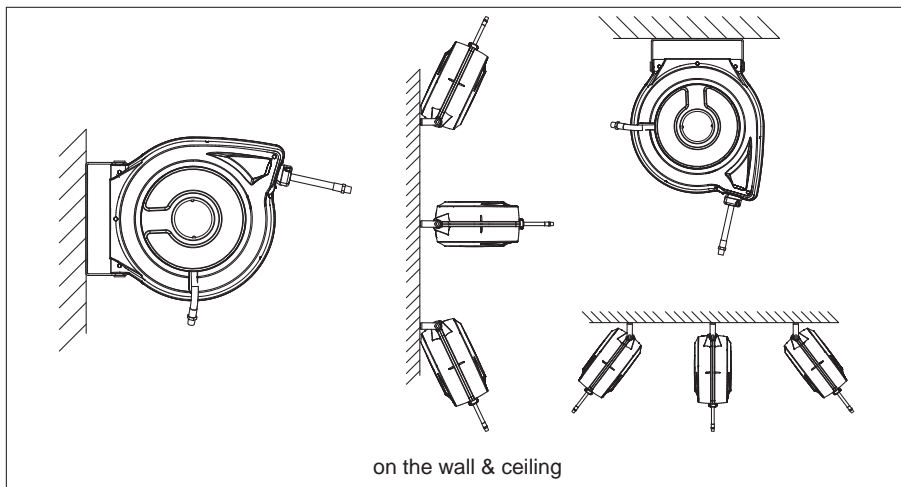
SAFETY PRECAUTIONS

⚠ WARNING

1. Read carefully and understand all INSTRUCTIONS before operating. Failure to follow the safety rules and other basic safety precautions may result in serious personal injury.
2. Save these instructions in a safe place and on hand so that they can be read when required. Keep these instructions to assist in future servicing.
3. The warnings, cautions, and instructions discussed in this instruction manual cannot cover all possible conditions or situations that could occur. It must be understood by the operator that common sense and caution are factors which cannot be built into this product, but must be supplied by the operator.
4. Exposure of skin directly to pressurized air, or fluids could result in severe bodily injury.
5. Ensure that only the qualified electrician can install/services this cord reel. And it must not be used by children or unskilled persons.
6. Ensure that power supply voltage does not exceed maximum voltage rating of reel.
7. Ensure that reel is properly be installed before connecting to power supply.
8. Ensure that all electrical power is removed form reel before servicing.
9. Check for frayed and broken wires before each use.
10. When pull electrical cord from the reel always grasp the electrical cord itself, not the work device.
11. Remove power form the reel immediately when any malfunction occurs.
12. Never remove, tamper with or cut the safety devices fitted by the manufacture.
13. Do not use the reel in damp or wet conditions. Keep the work area is clean. Avoid put in sundries reel.

INSTALLATION

1. Unpack and inspect reel for damage. Turn by hand to check for smooth operation. Check for completeness.
2. The cord reel must be installed in premises conforming to current regulation and standards covering systems and work environments.
3. Secure the cord reel to the wall and the ceiling according to the installation diagrams. Using screw anchors or suitable screws which must be fitted in the holes in the brackets.
4. Adjust the cord stopper to the suitable position when required.



OPERATION

1. Check reel for correct operation by slowly pulling out the cord.
2. To latch the reel, slowly pull out the cord to any point, Relax the cord to stop.
Note: it can not exceed the back end mark When the hose is pulled out,
3. To unlatch the reel, slowly pull the cord after relax, and then let the cord retract until the cord stop rests against the cord guide.
4. When over loading, the thermal cut-out will cut off automatically, then push the red button until restore.
Note: To avoid damage to the reel, always hold on to the cord while it is rewinding.

MAINTENANCE

1. Make sure the Cord is in proper working order.
2. Clean the Cord with a cloth dipped in warm water to remove dirt or deposits and ensure correct rewinding.
3. Do not use detergents or solvents which could prove incompatible with cord-winder materials.
4. Dismantling of the unit by unskilled personal could prove hazardous; the risk involved mainly concern the preloaded springs.

LIMITED WARRANTY

1. The manufacturer warrants this Cord reel against defects in material and craftsmanship, for a period of 12 months from date of purchase.
2. Manufacturer's liability is limited to replacement or repair of defective material within the warranty period, when returned freight prepaid to the distributor or their designated service depot.
3. The warranty does not cover damage caused by accident, misuse or faulty installation.
4. The reel must be installed and maintained in compliance with the instructions.

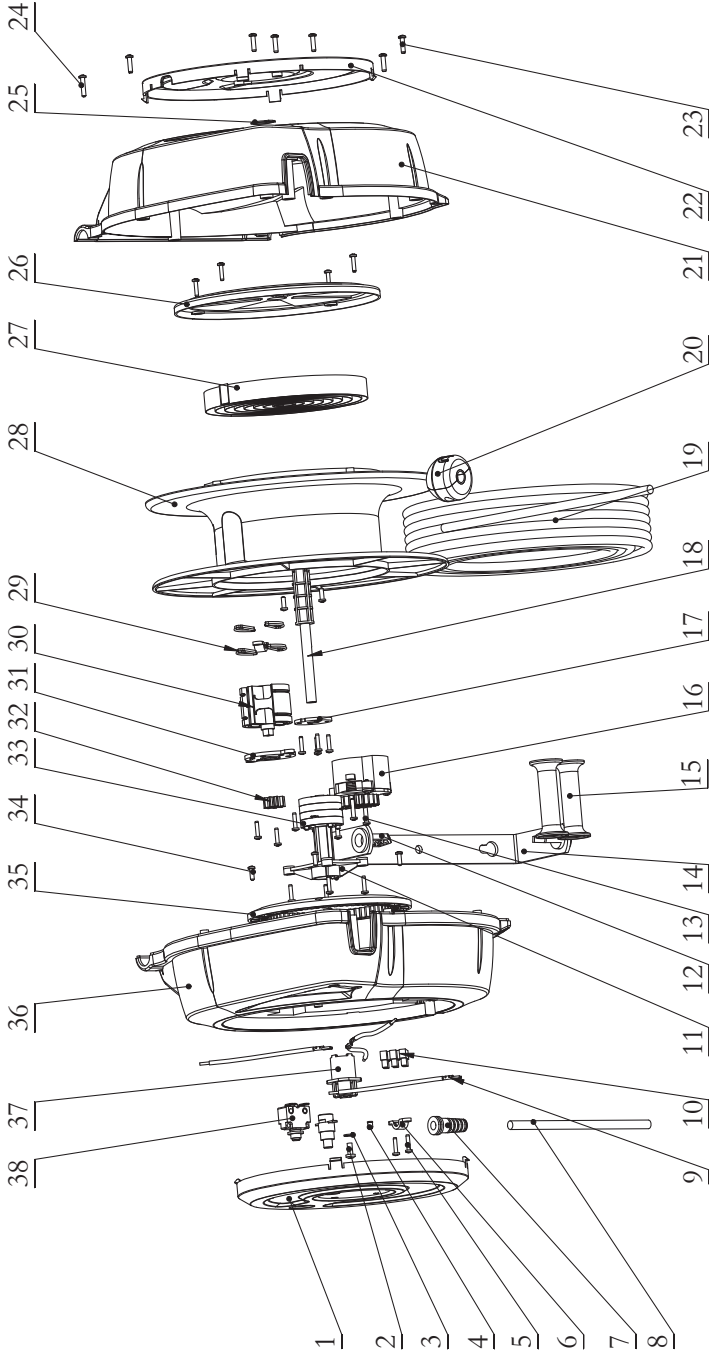
TROUBLE SHOOTING

Failure: The cord can't be Conduction

Possible cause: Overload or overheat protection

Corrective Action: Press the red button on the side cover

EXPLODED AND PARTS LIST



TECHNICAL
DETAILSSAFETY
PRECAUTIONS

INSTALLATION

OPERATION

MAINTENANCE

LIMITED
WARRANTYTROUBLE
SHOOTINGEXPLODED AND
PARTS LIST

Part No.	Description	Q'ty	Part No.	Description	Q'ty
1	Left side cover	1	20	Stop block assembly	1
2	Screws M5x12	1	21	Right shell	1
3	Washer	1	22	Right side cover	1
4	Indicator light	1	23	Screws PT4.5x16	7
5	Screws ST3.5x16	19	24	Screws ST4.2x22	2
6	Cord clamp	2	25	Shaft ring	1
7	Cord protective sleeve	1	26	Spring cover	1
8	Import cord	1	27	Spring	1
9	Wireway	4	28	Drum	1
10	Connector	1	29	O-ring	4
11	Support plate	1	30	Buffer	1
12	Fixed pin	2	31	Cover	1
13	Screws PT4.0x20	3	32	Gear	1
14	Base	1	33	Slip ring	1
15	Roller	2	34	Screws PT4.0x12	6
16	Stop at any point assembly	1	35	Gear	1
17	Baffle	1	36	Left shell	1
18	Supporting shaft	1	37	Support sleeve	1
19	Cord	1	38	Thermostat	1



Great Circle USA
Support Line: 1-866-493-0524
help@greatcircleus.com
www.greatcircleus.com