



# Professional Cord Reel Operator's Manual

---



**WARNING:**

Read carefully and understand all INSTRUCTIONS before operating. Failure to follow the safety rules and other basic safety precautions may result in serious personal injury. Save these instructions in a safe place and on hand so that they can be read when required. Keep these instructions to assist in future servicing.

---



## WARNING

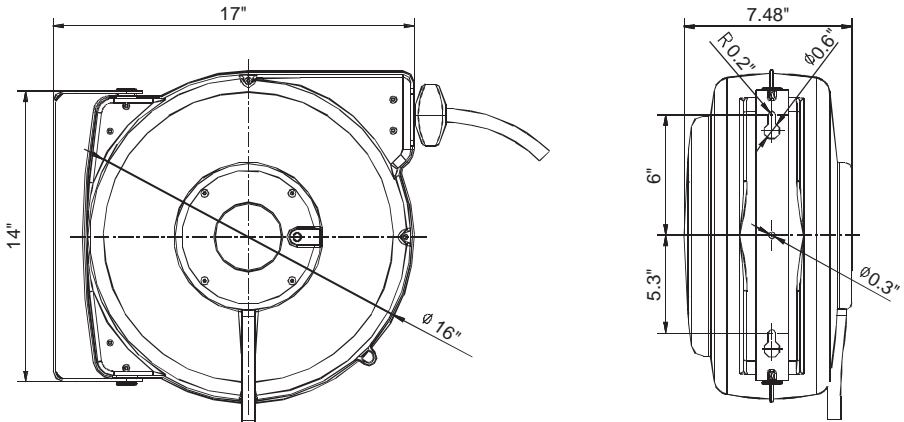


**WARNING:** The warnings, discussed in this instruction manual cannot cover all possible conditions or situations that could occur. It must be understood by the operator that common sense and caution are factors that cannot be built into this product, but must be supplied by the operator.

1. Maintain a clean and dry work area. Damp or wet work areas can result in injury.
2. Keep children away from work area. Do not allow children to use this product without appropriate supervision.
3. Do not modify this equipment, and do not use this equipment for a purpose for which it Was not intended.
4. Check for damaged parts. Before using this product, carefully check that it will operate properly and perform its intended function. Check for damaged parts and any other conditions that may affect the operation of this product. Replace damaged or worn parts immediately.
5. Maintain proper footing and balance at all times to prevent tripping, falling, back injury, etc.
6. **DO NOT** use the equipment when tired or under the influence of drugs, alcohol, or medication. A moment of inattention while operating this equipment may result in serious personal injury.

## TECHNICAL DETAILS

SKU No.	Type	Number of Core	Cord Length	Volt	AWG	Ampere
GUR059	SJTOW	3	80ft.	125V	12	15A



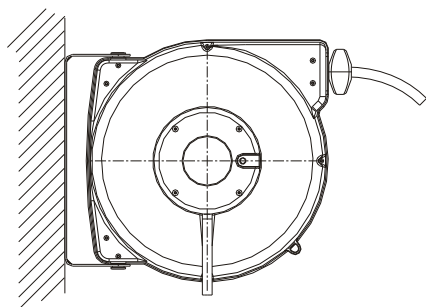
Before using this product, carefully read this general safety rules and instruction listed below. Before starting work, make sure that you know how to stop reel in the event of emergency.

## SAFETY PRECAUTIONS

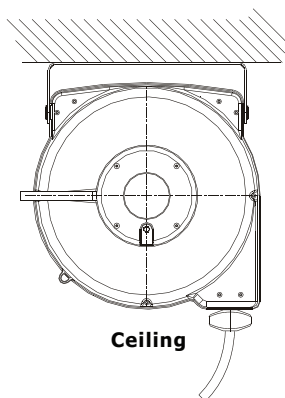
- 1) Only a electrician should services this cable reel.
- 2) Ensure that power supply voltage does not exceed maximum voltage rating of reel.
- 3) Ensure that reel is properly installed before connecting to power supply.
- 4) Ensure that the reel is disconnected from electrical power source before servicing.
- 5) Check for frayed and broken wires before each use.
- 6) When drawing the electrical cable from the reel always grasp the electrical cable itself, not the device connected to the socket.
- 7) Disconnect the reel from power source immediately when any malfunction occurs.
- 8) Never remove, tamper with or cut out the safety devices fitted by the manufacture.
- 9) Do not use the reel in damp or wet conditions. Keep the work area clean.

## INSTALLATION

- 1) The cable reel should only be installed in an area conforming to current regulations and standards covering electrical systems and their work environments.
- 2) Secure the cable reel to the wall and the ceiling according to the installation diagrams. Using screw anchors or suitable screws affixed through the provided holes in the bracket.
- 3) Adjust the cable stopper to the suitable position when required.



Wall



Ceiling

## OPERATION

1. Check reel for correct operation by slowly pulling out the hose. A “clicking” noise will be heard every half revolution of the drum.
2. To latch the reel, pull out the cable and allow it to retract after hearing the first second or third “click”.
3. To unlatch, slowly pull out the hose until the “clicking” noise stops, then let the cable retract until the cable stopper rests against the cable guide.
4. When over loaded, the thermal cut-out will cut off power automatically. Push the red reset button to restore normal operation once overload has been disconnected.

**Note:** To avoid damage to the reel, always hold on the cable while it is rewinding.

## MAINTENANCE

Make sure the cable is in proper working order and that the insulation is not cut or worn as this could represent a hazard and jeopardize operation or the operator.

Clean the cable with a cloth dipped in warm water to remove dirt or deposits and ensure correct rewinding.

Do not use detergents or solvents which could damage the insulation or interfere with cable-winder materials. If the event of having to perform maintenance on the electrical, mechanical parts or replace the cable, contact an authorized after-sale service center. Dismantling of the unit by unskilled personal could prove hazardous; the risk involved mainly concern the preloaded springs.

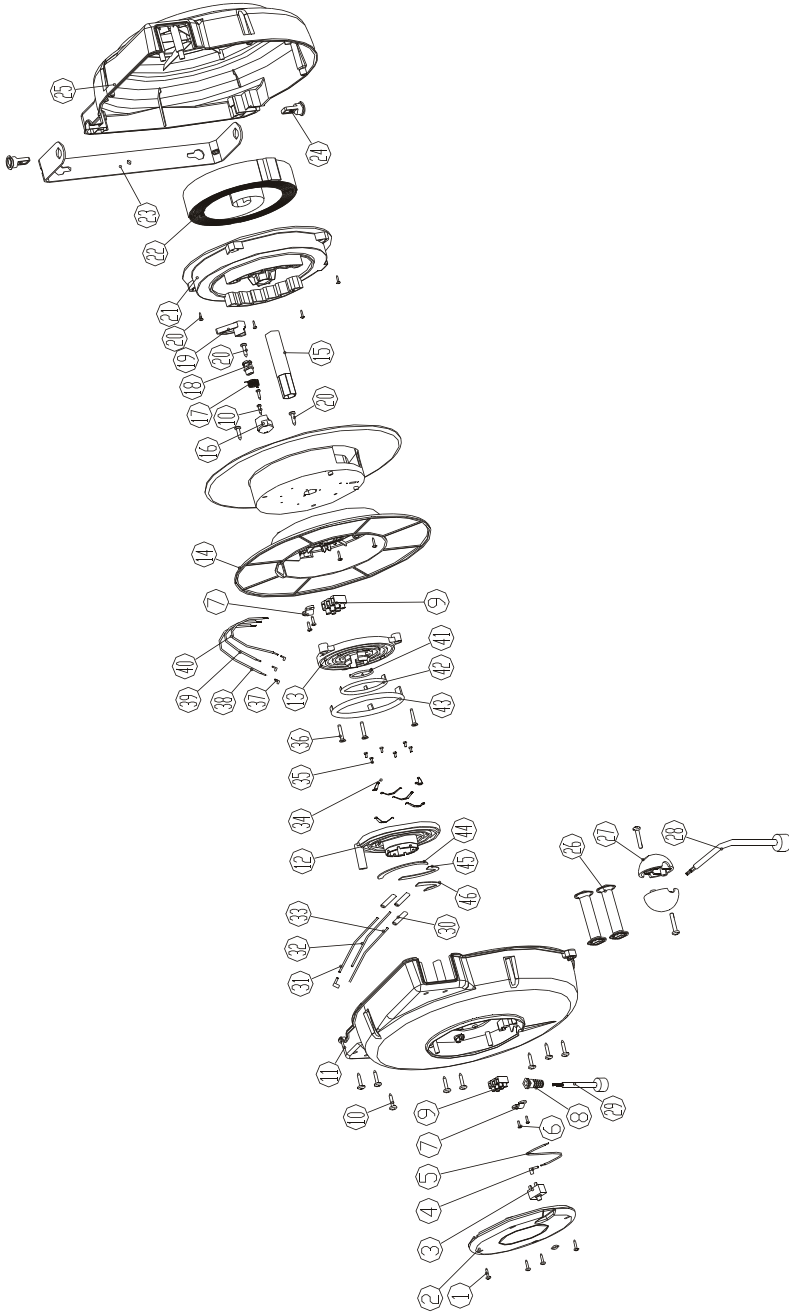
## LIMITED WARRANTY

1. The manufacturer warrants this cable reel against defects in material and craftsmanship, for a period of 12 months from date of purchase.
2. Manufacturer’s liability is limited to replacement or repair of defective material within the warranty period, when returned freight prepaid to the distributor or their designated service depot.
3. The warranty does not cover damage caused by mistreatment of the product, misuse or faulty installation.
4. The reel must be installed and maintained in compliance with the provided instructions.

## TROUBLE SHOOTING

Problem(s)	Solution(s)
Cord will not fully retract.	Call an authorized technician for service to add tension to the reel’s internal spring.
Cord will not retract at all.	Call an authorized technician for service.
No electrical power at output end of cord.	Check all connections ensuring they are properly wired. Press the reset button on the side of the reel case.

# EXPLODED AND PARTS LIST



TECHNICAL  
DETAILS

SAFETY  
PRECAUTIONS

INSTALLATION

OPERATION

MAINTENANCE

LIMITED  
WARRANTY

TROUBLE  
SHOOTING

EXPLODED AND  
PARTS LIST

TECHNICAL  
DETAILSSAFETY  
PRECAUTIONS

## INSTALLATION

## OPERATION

## MAINTENANCE

LIMITED  
WARRANTYTROUBLE  
SHOOTINGEXPLODED AND  
PARTS LIST

Part No.	Description	Q'ty	Part No.	Description	Q'ty
1	Screw ST4.2x33.5	8	24	Axle	2
2	Plastic cover	1	25	Outer Casing	1
3	Breaker	1	26	Roller	2
4	Termination 6.3	2	27	Stop block	2
5	Connect wire(black)	1	28	Inlet, flexible cord	1
6	Screw ST2.9x9.5	4	29	Outlet, flexible cord	1
7	Cable clamp	2	30	Shrinkable tube	3
8	Outlet, flexible cord	1	31	Connect wire(Black)	1
9	Terminal block	2	32	Connect wire(Green)	1
10	Screw, ST4.2*16	10	33	Connect wire(White)	1
11	Outer Casing	1	34	Touch slice	6
12	Fixed plate	1	35	Copper rivet	6
13	Movable plate	1	36	Screw ST4.2x22	3
14	Drum	2	37	Termination 4.8	3
15	Axle	1	38	Connect wire(Black)	1
16	Ratchet base	1	39	Connect wire(Green)	1
17	Spring dog	1	40	Connect wire(White)	1
18	Ratchet Axle	1	41	Slip ring	1
19	Ratchet Paw	1	42	Slip ring	1
20	Screw, ST4.2*19	5	43	Slip ring	1
21	Spring drum	1	44	Half copper ring	1
22	Main Spring	1	45	Half copper ring	1
23	Bracket	1	46	Half copper ring	1





Great Circle USA  
Support Line: 1-866-493-0524  
help@greatcircleus.com  
www.greatcircleus.com