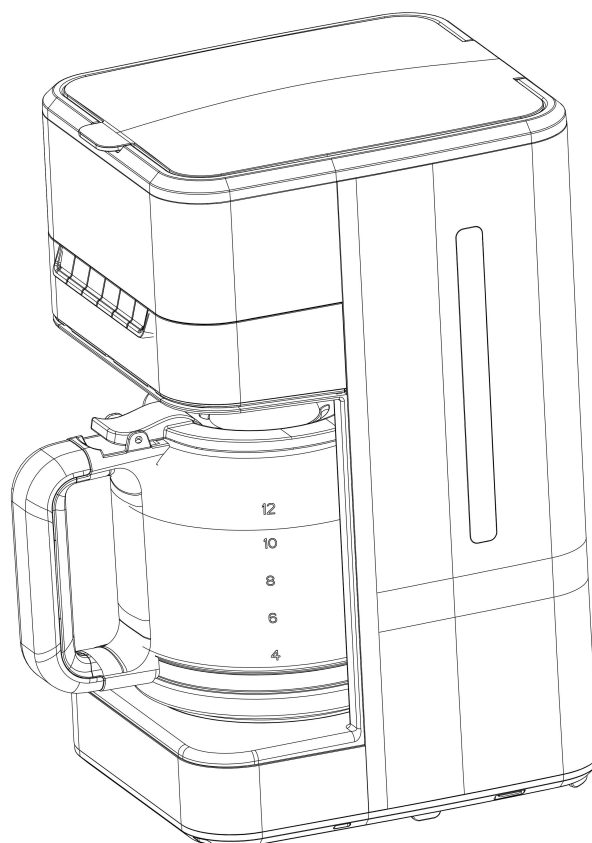


Empstorm

INSTRUCTION MANUAL



MODEL:EM-11D

Read this manual thoroughly before using and save it for future reference

shenzhenshiyouchuangdapindianzikejiyouxiangongsi

ADDRESS:ShenzhenshiLuohuqu JiabinluNo.4028TaipingyangShangmaodashaBArea1711

IMPORTANT SAFEGUARDS

When using electrical appliance. Basic safety precautions should always be followed including the following:

1. Read all instructions.
2. Make sure that your outlet voltage corresponds to the voltage stated on the rating label of the coffee maker.
3. To protect against fire, electric shock and injury to persons do not immerse cord, plug, or in water or other liquid.
4. Close supervision is necessary when any appliance is used by or near children.
5. Unplug from outlet when not in use and before cleaning. Allow to cooling before putting on or taking off parts, and before cleaning the appliance.
6. Do not operate any appliance with a damaged cord or plug or after the appliance malfunctions, or has been damaged in any manner. Return appliance to an authorized service facility for examination, repair or adjustment.
7. The use of accessory not recommended by the appliance manufacturer may result in fire, electric shock or injury to persons.
8. Do not use outdoors.
9. Do not let cord hang over edge of table or counter, or touch hot surface.
10. Do not place on or near a hot gas or electric burner, or in a heated oven.
11. Do not use appliance for other than intended use.
12. Do not clean container with cleansers, steel wool pads, or other abrasive material.
13. To disconnect, turn any control to “Off”, remove plug from wall outlet. Always hold the plug. But never pull the cord.
14. Scalding may occur if the cover is removed during the brewing cycles. Be careful not to get burned by the steam.
15. Some parts of appliance are hot when operated, so do not touch with hand. Use handles or knobs only.
16. Never leave the empty carafe on the warming plate otherwise the carafe is liable to

crack.

KNOW YOUR COFFEE MAKER

17. Never use the appliance if the carafe shows any signs of cracks or carafe having a loose or weakened handle. Only use the carafe with this appliance. Use carefully as the carafe is very fragile.

18. This appliance is not intended for used by persons (including children) with reduced physical, sensory or mental capabilities, or lack of experience and knowledge, unless they have been given supervision or instruction concerning use of the appliances by a person responsible for their safety.

19. Children should be supervised to ensure that they do not play with the appliance.

20. Do not set a hot container on a hot or cold surface.

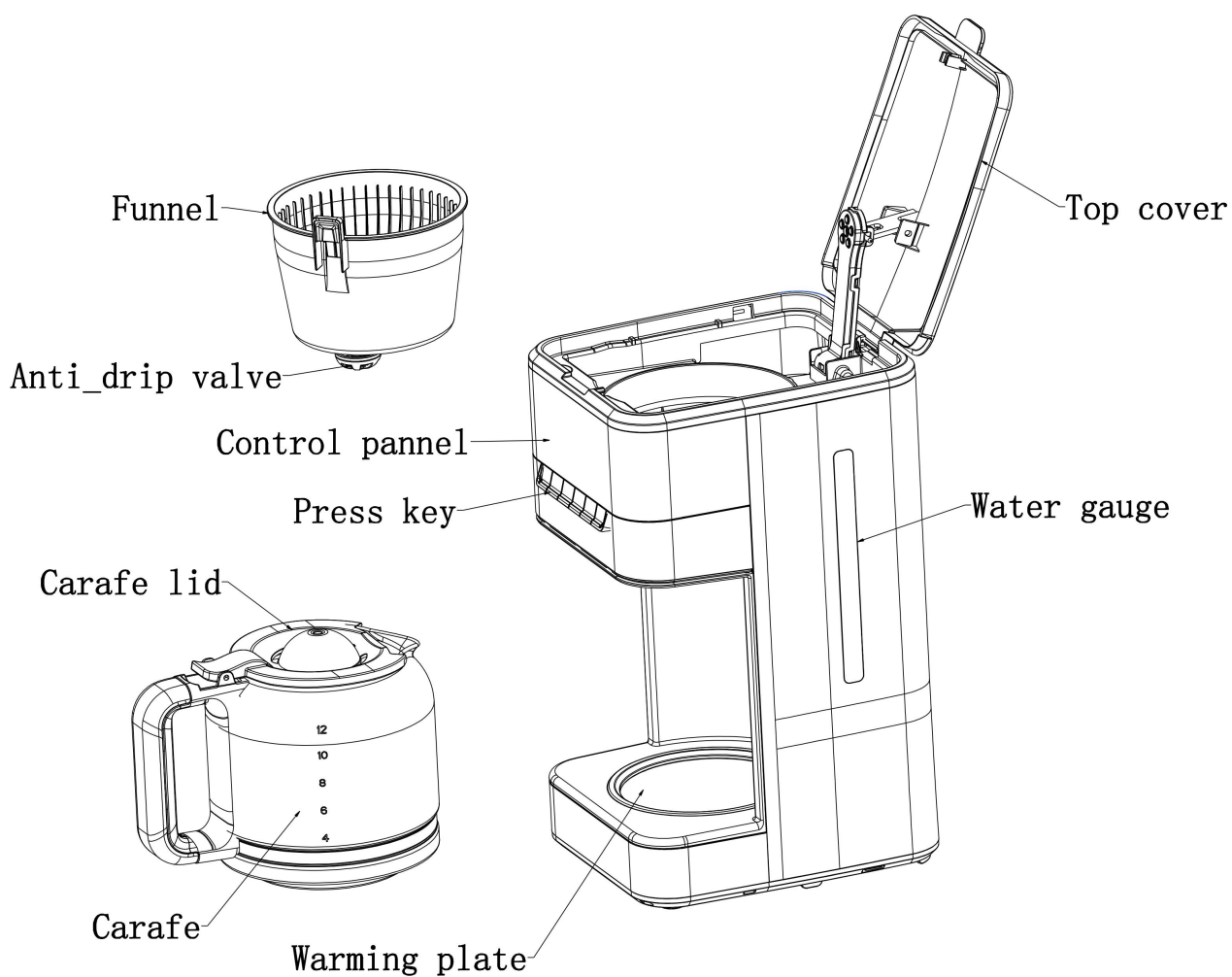
21. Do not let the coffee maker operate without water.

SAVE THESE INSTRUCTIONS HOUSEHOLD USE ONLY

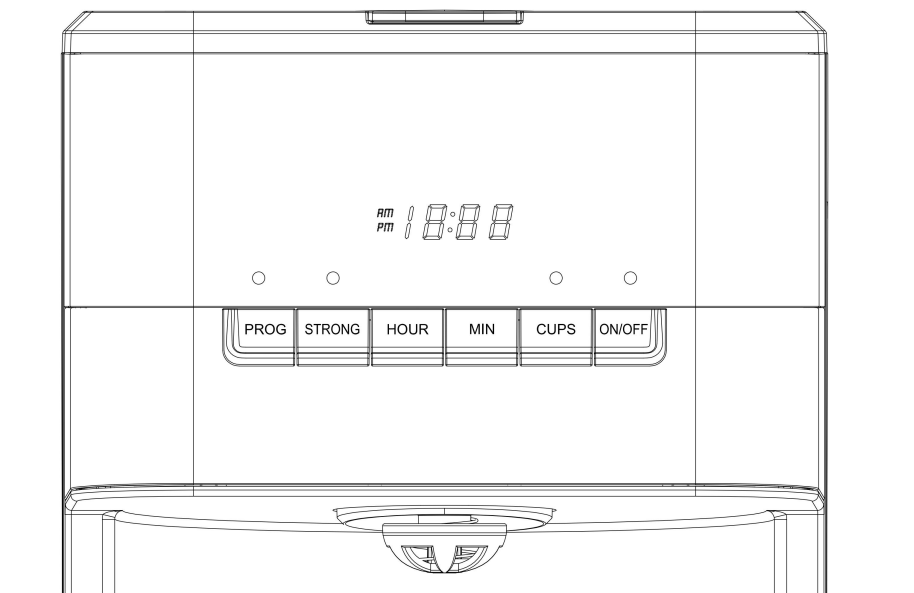
Notes on the cord plug

This appliance has a polarized plug, To reduce the risk of electric shock, this plug is intended to fit into a polarized outlet only one way, If the plug does not fit fully into the outlet, reverse the plug, If it still does not fit, contact a qualified electrician, Do not attempt to modify the plug in any way.

KNOW YOUR COFFEE MAKER



CONTROL PANEL



BEFORE FIRST USE

Check that all accessories are complete and the unit is not damaged. Fill water into water tank to the 12 cups level of water gauge and brew water for several times without coffee powder, then discard the water. Clean all detachable parts thoroughly with warm water.

USING YOUR COFFEE MAKER

1. Open the top cover and fill the water tank with drinking water. The water level should not exceed 12 cups level as indicated in the water tank.
2. Place funnel into the funnel support, make sure it is assembled correctly, otherwise top cover cannot be closed. Place a paper filter in the funnel.
3. Fill coffee powder into paper filter. Usually a cup of coffee needs a level spoon of coffee powder, but you may adjust according to personal taste. Close the top cover completely.
4. Insert carafe on the warming plate horizontally.
5. Plug the power cord plug into the outlet. The LCD will display “^{AM}12:00” together with the “ : ” flickers.
6. Set current time using the HOUR and MIN buttons.
7. For a stronger and bolder coffee, simply press the STRONG button. White indicator on STRONG button will appear on the screen indicating STRONG BREW is activated. To turn off STRONG BREW, simply press the STRONG Button again. The white indicator will disappear.
8. Press ON/OFF button, the display will change for a few seconds to allow you to select the number of cups you desire to brew. You can select to brew 4,6,8,10,12 cups of coffee or ALL. The default ALL cup function allows you to brew all the water in the reservoir without selecting a specific cup size. Then the white indicator on ON/OFF button will come on, The appliance will begin working.
9. The brewing process can be interrupted by pressing the ON/OFF button at any time, and white indicator will go out. The appliance will continue brewing once ON/OFF is pressed again.
10. Remove out carafe to serve when finishing brewing (about one minute later after the coffee stops dripping out.)
Note: The coffee you get will less than the water you have added, as some water is absorbed by coffee ground.

11. When the process is finished, if you do not want to serve immediately, keep the coffee maker energized, the coffee in the carafe can be kept warm on the warming plate, and the appliance will power off automatically after four hours if it has not been manually disconnected at the end of brewing. For an optimum coffee taste, serve it just after brewing.

12. Always turn the coffee maker off and disconnect the power supply when not use.

Note: Pay attention to pour the coffee out, otherwise you may be hurt as the temperature of coffee just finished is high.

DELAY BREW

If you do not want the coffee maker to start working immediately, for example now it is 8:10 am, you hope that the coffee maker will automatically start at 1:10 pm in the afternoon, first follow steps 1 to 4 of above section, then you can set the automatic start function as follows:

1. Press PROG button once, LCD will show the automatic starting time.
2. Press the HOUR and MIN button to set the automatic starting time, that is 1:10 pm;

Note: the time cycle is 12 hours

3. After a while, the display will change for a few seconds to allow you to select the number of cups you desire to brew. You can select to brew 4,6,8,10,12 cups of coffee or ALL. The default ALL cup function allows you to brew all the water in the reservoir without selecting a specific cup size.

4. After a while, the LCD will display the current clock, the white indicator on PROG button will come on.

Note:

You may cancel the automatic start function by pressing PROG button, the white indicator will go out. If you want to change the automatic start time, only follow the above 1-3 steps again.

5. When the time is due, the white indicator on PROG button will go out and white indicator on ON/OFF button will come on, then the unit starts brewing. At the end of brewing, 3 buzzer sounds will be heard.

CLEANING AND MAINTENANCE

CAUTION: Be sure to unplug this appliance before cleaning. To protect against electrical

shock, do not immerse cord, plug or unit in water or liquid. After each use, always make sure plug is first removed from wall outlet.

- 1) Clean all detachable parts after each use in hot, sudsy water.
- 2) Wipe the product's exterior surface with a soft, damp cloth to remove stains.
- 3) Water droplets may buildup in the area above the funnel and drip onto the product base during brewing. To control the dripping, wipe off the area with a clean, dry cloth after each use of the product.
- 4) Use a damp cloth to gently wipe the warming plate. Never use abrasive cleaner to clean it.
- 5) Replace all parts and keep for next use.

REMOVING MINERAL DEPOSITS

To keep your coffee maker operating efficiently, you should clean away the mineral deposits left by the water regularly according to the water quality in your area and the frequency use the appliance, the detail is as follows:

1. Fill the water tank with water and descaler to the 12 cups level as indicated in the water tank. (The scale of water and descaler is 4:1, the detail refers to the instruction of descaler. Please use "household descaler", you can use the citric acid instead of the descaler (the one hundred parts of water and three parts of citric acid).
2. Put the carafe on the warming plate and ensure it is placed in position.
3. Press the ON/OFF button once and White indicator will come on, After a while, water will drop out automatically.
4. After percolate the equivalent of one cup and then switch off the appliance by pressing the ON/OFF button again.
5. Leave the solution work for 15 minutes. Repeat the steps of 3-5 again.
6. Turn the appliance on by pressing the ON/OFF button once and run off the water until the water tank is completely empty.
7. Rinse by operating the appliance with water at least 3 times.

HINTS FOR GREAT-TASTING COFFEE

1. A clean coffee maker is essential for making great-tasting coffee. Regularly clean the coffee maker as specified in the “CLEANING AND MAINTENANCE” section. Always use fresh, cold water in the coffee maker.
2. Store unused coffee powder in a cool, dry place. After opening a package of coffee powder, reseal it tightly and store it in a refrigerator to maintain its freshness.
3. For an optimum coffee taste, buy whole coffee beans and finely grind them just before brewing.
4. Do not reuse coffee powder since this will greatly reduce the coffee’ flavor. Reheating coffee is not recommended as coffee is at its peak flavor immediately after brewing.
5. Clean the coffee maker when over-extraction causes oiliness. Small oil droplets on the surface of brewed, black coffee are due to the extraction of oil from the coffee powder.
6. Oiliness may occur more frequently if heavily roasted coffees are used.



Environment friendly disposal

You can help protect the local regulations: hand in the non-working electrical equipment to an appropriate waste disposal center.

