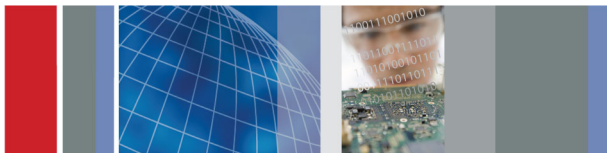


## THSCHG External Battery Charger

### Instructions



### Safety Summary

To avoid potential hazards, use this product only as specified.

#### To Avoid Fire or Personal Injury

**Recharge battery properly.** Recharge the battery pack only for the recommended charge cycle at the recommended temperature.

**Use proper battery charger.** Use only the THSCHG charger or the THS3000 series oscilloscope to charge the THSBAT Lithium-Ion battery pack.

**Do not operate without covers.** Do not operate this product with covers or panels removed.

**Do not operate with suspected failures.** If you suspect there is damage to this product, have it inspected by qualified service personnel.

**Do not operate in wet/damp conditions.**

**Keep product surfaces clean and dry.**

**Use proper AC adapter.** Use only the AC adapter specified for this product.

#### Safety Terms in This Manual

**CAUTION.** *These statements identify conditions or practices that could result in damage to the equipment or other property.*

#### Safety Symbols on the Product



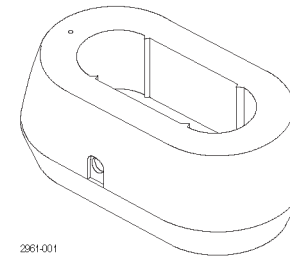
CAUTION  
Refer to Manual



This symbol indicates that this product complies with the applicable European Union requirements according to Directives 2002/96/EC and 2006/66/EC on waste electrical and electronic equipment (WEEE) and batteries. For information about recycling options, check the Support/Service section of the Tektronix Web site ([www.tektronix.com](http://www.tektronix.com)).

### Description

The THSCHG is a battery charging base for use with the THSBAT Li-ion battery packs. When used with the external power supply for THS3000 series oscilloscopes, it will typically charge the battery pack in approximately 5.5 hours.



**CAUTION.** *To avoid damage to the battery pack, use only the oscilloscope or the THSCHG battery charger to charge the battery pack. Do not connect any other voltage source to the battery pack.*

You do not need to continuously charge (trickle charge) Li-Ion battery packs to maintain full operating capacity between jobs. However, a Lithium-Ion battery pack will self-discharge while not in use. To achieve the longest operating time, charge your battery pack before use. If you plan to store battery packs, read the specific instructions to do this. (See note below.)

**NOTE.** *Refer to the THSBAT Rechargeable Battery Pack Instructions (Tektronix part number 071-2960-xx) for information on storage, transportation, and end-of-life recycling or disposal of the THSBAT Lithium-Ion battery pack.*

### Charging the Battery Pack

**NOTE.** *For optimum performance, charge the battery pack completely before using it for the first time or after prolonged storage.*

**CAUTION.** *To avoid overheating of the batteries during charging, do not exceed the allowable ambient temperature given in the specifications.*

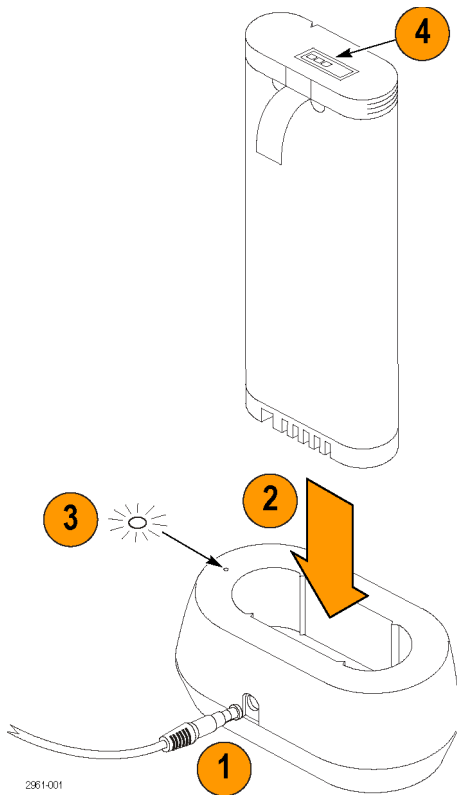
1. Connect the oscilloscope AC adapter/power supply to a mains outlet and insert the DC plug of the power supply into the THSCHG External Battery Charger.



071-2961-00

**Tektronix**

- Align the slots on the battery to the slots in the charger and insert the battery into the charger.



2961-001

- Note the condition of the green LED:

LED condition	Description
Slowly flashing	Battery is charging
Continuously on	Battery is fully charged
Rapidly flashing	Charging error

- Each of the 5 segments in the status display equal about 20% of full charge. All segments on indicates that the battery is charged to 100 % of its present capacity.

### Specifications

Characteristic	Description
Capacity	52 Wh, 4.8 Ah
Output	10.8 VDC
Charge time	5.5 hrs
Adapter requirements	18 V / 0.84 A
Input voltage range	15–23 V
Input current limiter	0.714 A $\pm$ 5%
Operating temperature	0 °C to +40 °C (+32 °F to +104 °F)
Storage temperature	-20 °C to +60 °C (-4 °F to +140 °F)
Humidity	10 to 30 °C (50 to 86 °F) 95% $\pm$ 5% 30 to 40 °C (86 to 104 °F) 75% $\pm$ 5% 40 to 45 °C (104 to 113 °F) 45% $\pm$ 5%
Emission and Immunity	EN 61316-1:2006

### Warranty Information

For warranty information, go to the [www.tektronix.com](http://www.tektronix.com) Web site, and search for “THSCHG warranty”.

### Contacting Tektronix

Tektronix, Inc.  
14200 SW Karl Braun Drive  
P.O. Box 500  
Beaverton, OR 97077  
USA

For product information, sales, service, and technical support:

- In North America, call 1-800-833-9200.
- Worldwide, visit [www.tektronix.com](http://www.tektronix.com) to find contacts in your area.