



SW 4070, SW 4070-MAN RF-SWITCH SOLUTION FOR NSG 4070 MANUAL RF-SWITCH UP TO 2 GHz



- Two relays SPDT
- Low insertion loss
- Direct control via NSG 4070 user port or manual version



SW 4070 back view

The advanced use of the NSG 4070 may require the operation with two power amplifiers. The SW 4070 allows to switch the signal paths for having a remote controlled system and is fully powered and controlled by the NSG 4070. Interlock connections provide to switch off the amplifier gain. Additionally the SW 4070 is supplied with a second user port socket for connecting e.g. the MD 4070 or using the EUT monitoring functions of the NSG 4070's user port.

Technical specifications

Power supply:	12 V DC, 170 mA
Connector type:	Sub-D, 15 pins (for NSG 4070 user port)
Response time:	typical 20 ms
Relay type:	2x SPDT
Power handling:	Cold switching only
Power	
up to 100 MHz:	<1000 W
up to 500 MHz:	<800 W
up to 1 GHz:	<500 W
up to 1.5 GHz:	<350 W
up to 2 GHz:	<100 W
VSWR	
at 100 MHz:	typ. <1.1
at 500 MHz:	typ. <1.1
at 1 GHz:	typ. <1.2
at 1.5 GHz:	typ. <1.3
at 2 GHz:	typ. <1.7
Insertion loss	
at 100 MHz:	typ. <0.1 dB
at 500 MHz:	typ. <0.15 dB
at 1 GHz:	typ. <0.2 dB
at 1.5 GHz:	typ. <0.3 dB
at 2 GHz:	typ. <0.5 dB
Interlock	
Connector type:	BNC female
Indicator:	2x LED

Mechanical specifications

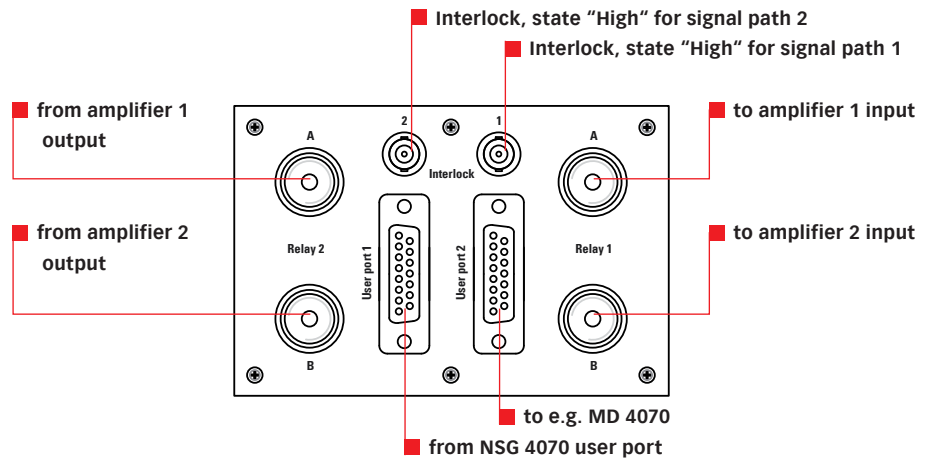
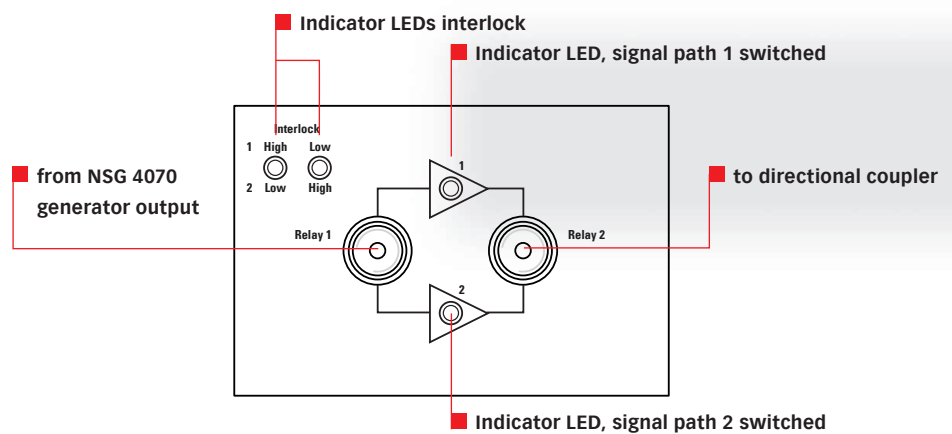
Size (W x H x D in mm):	125 x 82 x 155
Weight:	approx. 1 kg
Size of the 19" rack mounting plate:	132.5 mm x 482.6 mm

SW 4070, SW 4070-MAN RF-SWITCH SOLUTION FOR NSG 4070 MANUAL RF-SWITCH UP TO 2 GHz

Logic

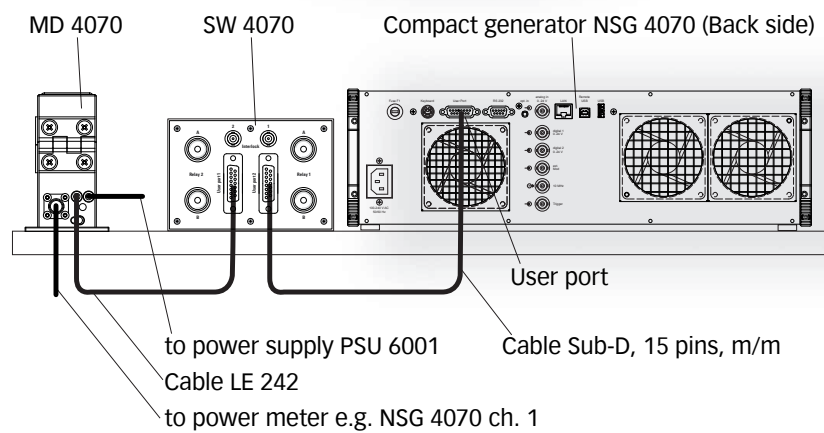
Input	L	H
Switch 1		
Switch 2		
Interlock 1	float	gnd
Interlock 2	gnd	float
LED 1	on	off
LED 2	off	on

Connections and functions

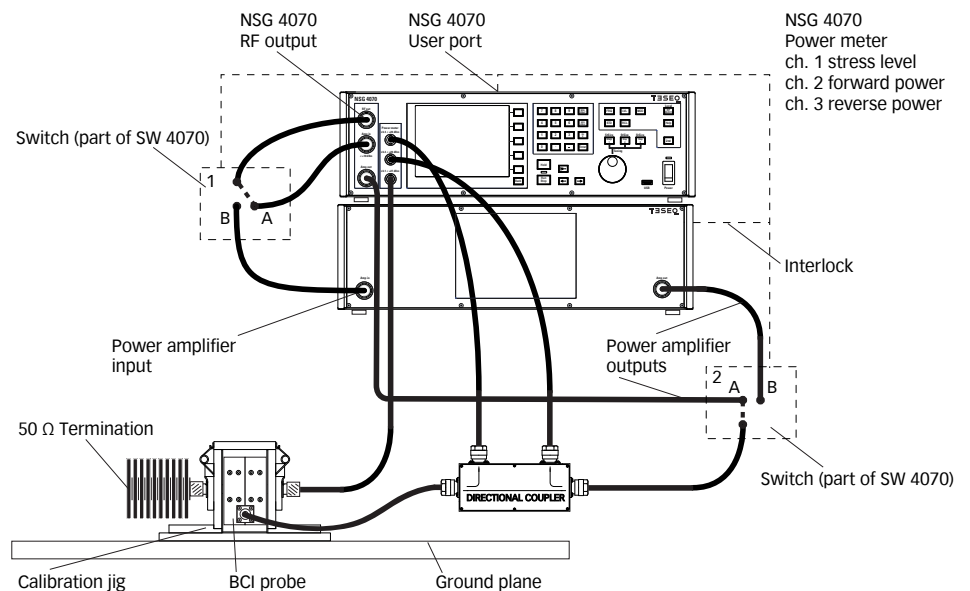


SW 4070, SW 4070-MAN **RF-SWITCH SOLUTION FOR NSG 4070** **MANUAL RF-SWITCH UP TO 2 GHz**

Control connection of SW 4070 in conjunction with NSG 4070 and optional MD 4070



Setup example of NSG 4070 (internal amplifier) and external amplifier for BCI application

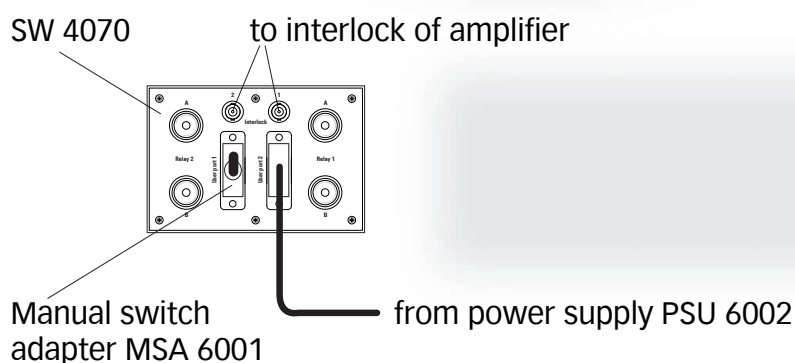


SW 4070, SW 4070-MAN

RF-SWITCH SOLUTION FOR NSG 4070

MANUAL RF-SWITCH UP TO 2 GHz

Control and power supply connection of SW 4070-MAN



Delivery items	SW 4070	SW 4070-MAN
SW 4070 unit	■	■
Cable Sub-D, 15 pins, male / male, 2 m	■	-
19" rack mounting plate	-	■
Power supply PSU 6002	-	■
Manual switch adapter MSA 6001	-	■

Teseq GmbH
 Landsberger Str. 255 · 12623 Berlin · Germany
 T +49 30 56 59 88 35 F +49 30 56 59 88 34
 deinfo.teseq@ametek.com www.teseq.com

© February 2015 Teseq®
 Specifications subject to change without notice.
 Teseq® is an ISO-registered company. Its products are designed and manufactured under the strict quality and environmental requirements of the ISO 9001. This document has been carefully checked. However, Teseq® does not assume any liability for errors or inaccuracies.

82-253850 E03 February 2015

Model No. and options

Part number	Description
253850	SW 4070 Option for NSG 4070: RF-Switch network 2x SPDT
253891	SW 4070-MAN RF-Switch network 2x SPDT for max. 2 GHz with power supply unit with Euro, UK, US, JP, AUS country version and manual control