

MI is a range of combined absorbers consisting of pyramidal absorbers adapted to low frequencies and one or more layers of absorbers material specific to high frequencies.

MI absorbers are used in anechoic or semi-anechoic chambers. Installations equipped with this cladding conform to the recommendations of standards CISPR, FCC, CEI, ANSI, EN etc. MI absorbers make it possible to guarantee quiet zone in very wide frequency bands.



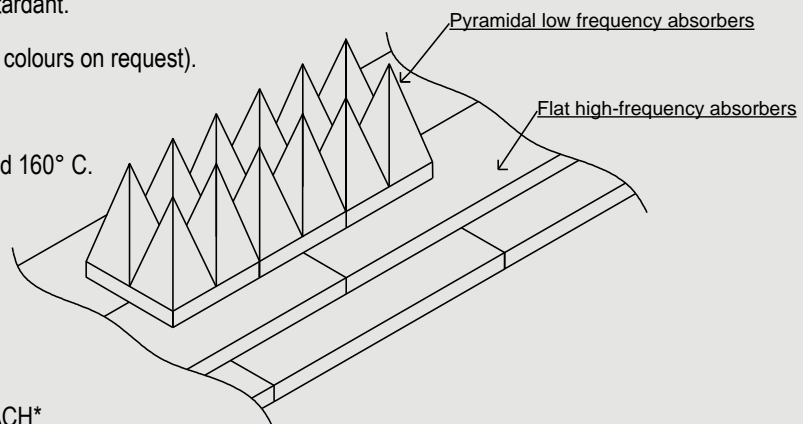
GUARANTEED PERFORMANCES

MI absorbers are characterized by several optimized dielectric constants; allowing measurements over a broadband of frequencies. MI absorbers are made of material with shape and permittivity gradient.

MINIMUM REFLECTIVITY OF MI in dB For incidence angles close to the normal												
Type	Height (mm)	30 MHz	50 MHz	80 MHz	100 MHz	150 MHz	300 MHz	500 MHz	1 GHz	2 GHz	4 GHz	8 GHz and +
MI 76	760	-1	-3	-8	-11	-18	-25	-30	-41	-42	-50	-52
MI 100	1000	-4	-9	-15	-19	-23	-35	-36	-42	-50	-52	-52
MI 120	1200	-7	-10	-15	-19	-28	-37	-38	-43	-50	-52	-52
MI 150	1500	-8	-11	-16	-20	-30	-39	-39	-44	-52	-52	-52
MI 225	2250	-11	-15	-22	-25	-26	-33	-35	-45	-52	-52	-52

MAIN CHARACTERISTICS

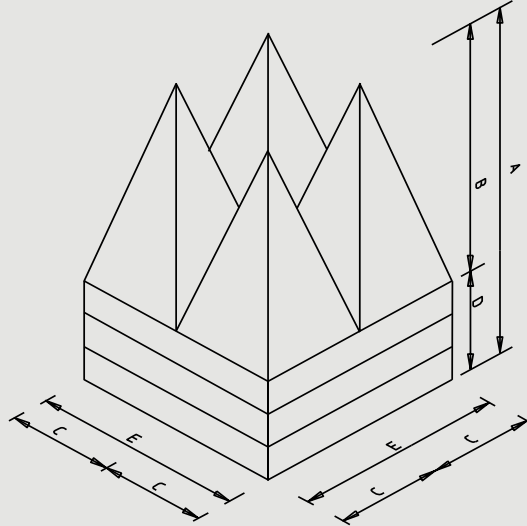
- **Matrix:** polyether polyurethane foam with 90% open cells.
- **Impregnating agents:** carbon, binder, fire retardant.
- **Colours:** black, blue, white, green, red (other colours on request).
- **Paint:** plastic coated for class clean rooms.
- **Maximum service temperatures:** - 65° C and 160° C.
- **Power handling:** 0.2 W/cm² maxCW.
- **Fire resistance:** NRL 8093 (Test 1, 2, 3), ISO 11925-2, DIN 4102 (class B2).



Our raw materials are compliant to RoHS / REACH* and free of substances in the current list of Substances of Very High Concern (SVHC) published by the European Chemicals Agency (ECHA).

Both aqueous and plastic paint coating were developed to enable work in ISO4 (ISO 14644-1 2015) clean room conditions.

DIMENSIONS



$$C = E/N$$



The MI range is made up of several blocks of polyether polyurethane foam with 90% open cells impregnated with a dielectric solution of carbon, a binder, and a fire retardant.

Type	A Total height (mm)	B Pyra. height (mm)	D Base height (mm)	E±T Base length (mm)	N Number of Pyra./side	Nb of dielectric constants	Weight (Kg)
MI 76	760	560	200	610 ± 3	3	2	8,3
MI 100	1000	700	300	305 ± 3	1	1	2,9
MI 120	1200	900	300	305 ± 3	1	1	3,4
MI 150	1500	1100	400	407 ± 2	1	3	7,2
MI 225	2250	1550	700	610 ± 3	1	5	25,9

METHOD OF USE

Absorbers of the MI type can be fixed to all flat surfaces by means of Neoprene glue or of a Velcro fastening system.

Neoprene glue is applied with a brush or a pneumatic pistol to both faces to be glued.

These data are the result of tests performed in our laboratory. The use of the material and the performance specifications are the entire responsibility of the users who should ensure that the material is suitable for their purposes