

B1L Handheld Thermal Camera



HIKMICRO B1L is designed for temperature measurement to find invisible faults. It's equipped with a 160 × 120 resolution HIKMICRO thermal detector. The thermography ranges from -20°C to 550°C (-4°F to 1022°F), which meets most situation. It helps the staff to quickly find the fault according to accurate temperature measurement of high temperature targets in the environment. Meanwhile it provides assistant decision and ensure safety. The device is mainly applied to various industries, such as Building, HVAC, and auto industry, etc.

Key Feature

- Thermal resolution: 160 × 120
- High quality 240 × 320 resolution 3.2" LCD display
- Up to 4 palettes
- Wide temperature measurement range: -20°C to 550°C
- High temperature measurement accuracy: Up to ± 2°C, ± 2%
- Long-distance laser light supplement for thermography targets
- Built-in rechargeable Li-ion battery
- Up to 8 hours continuous operation

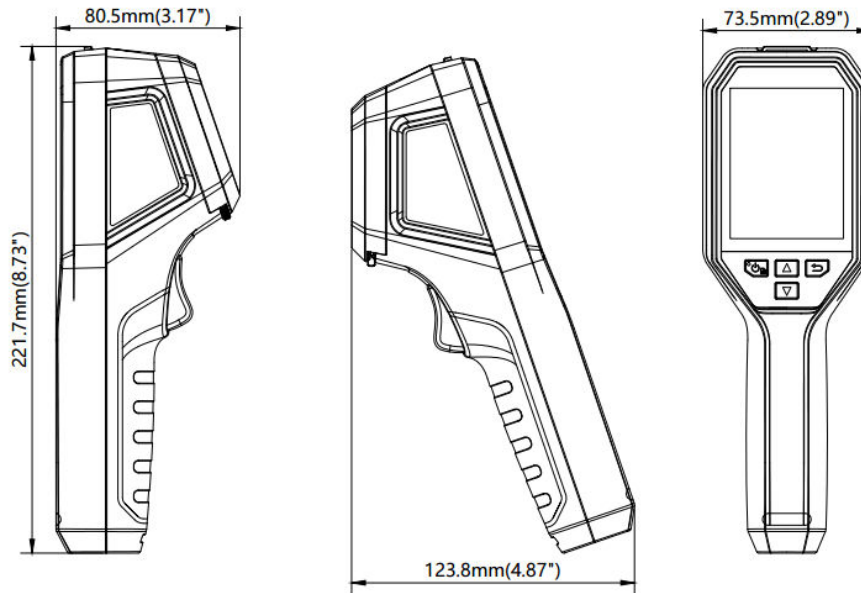
▪ Specification

Infrared Image	
IR Resolution	160 × 120 (19,200 pixels)
NETD	< 40 mK (@ 25°C, F#=1.0)
Image Frequency	25 Hz
Detector Pitch	17 μm
Spectral Range	7.5 to 14 μm
Focal Length	3.5 mm
F-number	F1.1
Field of View (FOV)	32.9° × 44.4°
Spatial Resolution (IFOV)	4.85 mrad
Min. Focus Distance	0.3 m (0.98 ft)
Focus Mode	Focus Free
Image Display	
Visual Camera	N/A
Display	240 × 320 Resolution, 3.2" LCD Screen
Color Alarm	Above alarm
Color Palettes	White Hot, Black Hot, Rainbow, Ironbow
Measurement and Analysis	
Object Temperature Range	-20°C to 550°C (-4°F to 1022°F)
Accuracy	Max. (± 2°C/3.6°F, ± 2%), for ambient temperature 15°C to 35°C (59°F to 95°F) and object temperature above 0°C (32°F)
Measurement Tools	Center Spot, Hot Spot, Cold Spot User-definable: 3 spots
Level and Span Mode	Auto/Manual
Data Storage and Communication	
Storage Media	Built-in 4 GB flash memory
Image Storage Capacity	Approx. 30,000 Images
General	
Wi-Fi	802.11 b/g/n (2.4 GHz)
USB Interface	USB Type-C
LED Light	Yes
Battery Type	Rechargeable Li-ion battery
Battery Operating Time	Approx. 8 hours
Battery Charging Time	Approx. 3 hours fully charged
Protection Level	IP54
Drop Test Height	2 m (6.56 ft)
Working Temperature Range	-10°C to 50°C (14°F to 122°F)
Storage Temperature Range	-20°C to 60°C (-4°F to 140°F)
Relative Humidity	< 95% non-condensing
Weight	Approx. 360 g (0.79 lb)
Dimension	221.7 mm × 73.5 mm × 123.8 mm (8.73" × 2.89" × 4.87")
Tripod Mounting	UNC ¼"-20

▪ Available Model

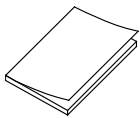
B1L

▪ Dimension

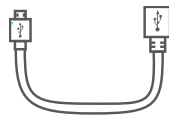


Unit: mm (Inch)

▪ Package List



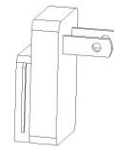
QSG (× 1)



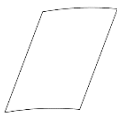
USB 2.0 A to USB Type-C Cable (× 1)



Power Supply for Battery Charger (× 1)



International Use Plugs (US/EU/UK/AU) for Power Supply



Calibration Certificate



Wrist Strap (× 1)

▪ Accessory

▪ Included



HM-2925ZJ-TM01-
BRACKET



HM-B201-MACRO

▪ Optional



HM-B01-POUCH

COMPLIANCE NOTICE: The thermal series products might be subject to export controls in various countries or regions, including without limitation, the United States, European Union, United Kingdom and/or other member countries of the Wassenaar Arrangement. Please consult your professional legal or compliance expert or local government authorities for any necessary export license requirements if you intend to transfer, export, re-export the thermal series products between different countries.

