

# GRAS RA4800

Adapter for Sensitivity  
Verification of Flush/Surface  
Microphones



For in-situ verification of surface-mount and  
flush-mount microphones

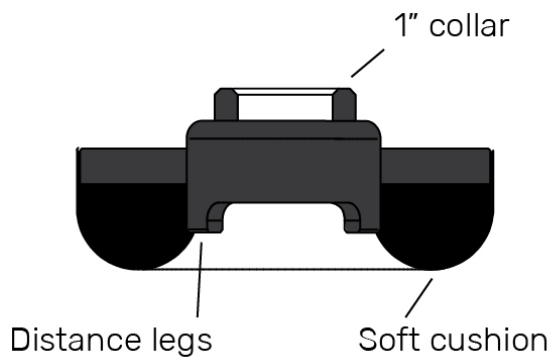
---

RA4800 is a field verification adapter for UTP, surface-mount, and flush-mount microphones.

With this adapter, it is possible to perform quick and reliable verification without having to dismount the microphone.

RA4800 is a field verification adapter for UTP, surface-mount, and flush-mount microphones. With this adapter, it is possible to perform quick and reliable verification without having to demount the microphone.

The diameter of the adapter is wide enough to accommodate all GRAS fairings for UTP and surface-mount microphones.

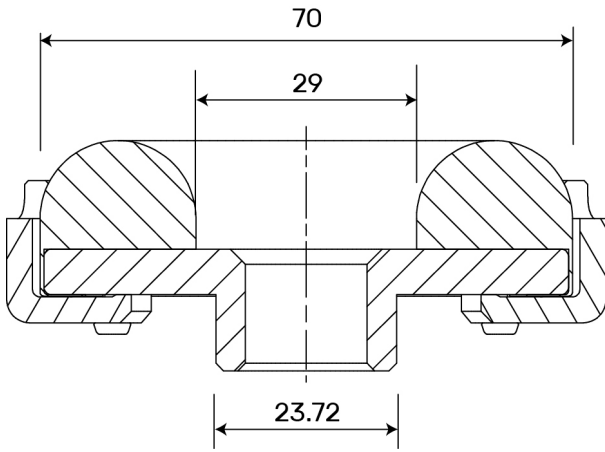


The adapter fits sound calibrators and pistonphones fitted with 1" collar.

A soft cushion similar to those found on circumaural headphones provides a closed cavity, four distance spacers (legs) make it easy to hold the calibrator stable during the verification. Also, they ensure that the volume stays the same during the verification and that the same volume can be achieved in future tests.

It is designed for verification at 250 Hz. The precision is within  $\pm 0.3$  dB.

All dimensions in mm



# GRAS Worldwide

Subsidiaries and distributors in more  
than 40 countries

**HEAD OFFICE, DENMARK**  
**GRAS SOUND & VIBRATION**  
Skovlytoften 33  
2840 Holte  
Denmark  
Tel: +45 4566 4046  
[www.gras.dk](http://www.gras.dk)  
[gras@gras.dk](mailto:gras@gras.dk)

**USA**  
**GRAS SOUND & VIBRATION**  
5750 S.W. Arctic Drive  
Beaverton, OR 97005  
Tel: 503-627-0832  
Toll Free: 800-231-7350  
[www.gras.us](http://www.gras.us)  
[sales@gras.us](mailto:sales@gras.us)

**CHINA**  
**GRAS SOUND & VIBRATION**  
Room 303, Building T6  
Hongqiaohui, 990, Shenchang Road  
Minhang District, Shanghai  
China, 201106  
Tel: +86 21 64203370  
[www.gras.com.cn](http://www.gras.com.cn)  
[cnsales@gras.dk](mailto:cnsales@gras.dk)



## ABOUT GRAS SOUND & VIBRATION

GRAS is a worldwide leader in the sound and vibration industry. We develop and manufacture state-of-the-art measurement microphones to industries where acoustic measuring accuracy and repeatability is of utmost importance in R&D, QA and production. This includes applications and solutions for customers within the fields of aerospace, automotive, audiology, and consumer electronics. GRAS microphones are designed to live up to the high quality, durability and accuracy that our customers have come to expect and trust.

**GRAS** Sound  
& Vibration