

# GRAS 26CA

1/2" CCP Standard  
Preamplifier with BNC  
Connector



Freq range: 2.5 Hz - 200 kHz  
Noise: 1.8  $\mu$ V Gain: -0.30 dB  
Special feature: General purpose

The GRAS 1/2" Preamplifier GRAS 26CA is a general purpose preamplifier optimized for use with prepolarized condenser microphones. It is a small, robust unit and uses a GRAS CCP power supply (ICP®), e.g. GRAS 12AL. It has a very low inherent noise level, and a large dynamic range and a frequency response from below 2 Hz to above 200 kHz.

## Typical applications and use

CCP inputs (ICP ®)

Prepolarized microphones

1/2" precision microphones

High levels and high frequencies

## Design

The GRAS 26CA 1/2" CCP Standard Preamplifier is a small, robust unit and uses a CCP power supply (ICP ®), e.g. GRAS 12AL. It has a very low inherent noise level, a large dynamic range and a frequency response from below 2 Hz to above 200 kHz.

Its small ceramic thick-film substrate has a very high input impedance, and is shielded by a guard ring to minimise the influence of stray capacitance and microphonic interference.

The 26CA is delivered with Generation II TEDS. The calibration data is programmed into the built-in TEDS according to IEEE 1451.4 using UDID I27-0-0-0U. If your measurement platform supports Transducer Electronic Data Sheets you will be able to read and write data like properties and calibration data.

Generation II TEDS chip (DS2431) may require updated system software.

It can be used with all GRAS prepolarized microphones, namely: 1/2" microphones: GRAS 40AE, 40AD and 40AQ 1/4-inch microphones: GRAS 40BE and 40BD, using the optional 1/2"-inch to 1/4-inch adaptor RA0019.

It has an integrated BNC output connector. The casing is made of stainless steel for maximum strength and durability.

® ICP is a registered trademark of PCB Piezotronics

Inc.

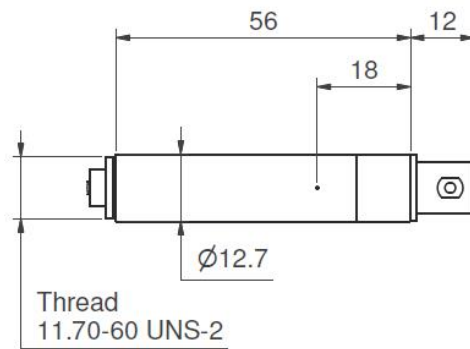
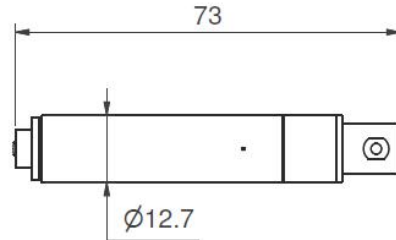
\* Transducer Electronic Data Sheet - IEEE-P1451.4

Frequency range ( $\pm 0.2$ dB) with 18 pF microphone dummy	Hz	2.5 to 200 k
Slew rate	V/ $\mu$ s	20
Input impedance	G $\Omega$ // pF	20 // 0.4
Output impedance	$\Omega$	< 50
Output Voltage Swing, min. @ 24-28 V CCP voltage supply	V <sub>p</sub>	8
Noise (A-Weighted) max.	$\mu$ V	2.5
Noise (A-Weighted) typ.	$\mu$ V	1.8
Noise (Linear 20 Hz – 20 kHz) max.	$\mu$ V	6
Noise (Linear 20 Hz – 20 kHz) typ.	$\mu$ V	3.5
Gain	dB	-0.30
Power supply (Constant Current Power)	mA	2 to 20 (typical 4)
DC bias voltage, typ.	V	12
Temperature range, operation	$^{\circ}$ C / $^{\circ}$ F	-30 to 70 / -22 to 158
Temperature range, storage	$^{\circ}$ C / $^{\circ}$ F	-40 to 85 / -40 to 185
Humidity range non condensing	% RH	0 - 95
TEDS UDID (IEEE 1451.4)		I27-0-0-0U
Connector type		BNC
CE/RoHS compliant/WEEE registered		Yes / Yes, Yes
Weight	g / oz	26.0 / 0.92

Conditions: 23  $^{\circ}$ C Ambient temperature, 4 mA / 24 V open loop CCP voltage, 18 pF dummy microphone, 3 m output coax-cable.

GRAS Sound & Vibration reserves the right to change specifications and accessories without notice.

Dimensions in mm



## Optional items

<a href="#">GRAS AA0035</a>	3 m BNC - BNC Cable
GRAS AA0039-CL	Customized Length BNC - BNC Cable
<a href="#">GRAS AL0008</a>	1/2" Microphone Holder, POM
<a href="#">GRAS AL0012</a>	1/2" Microphone Holder, Stainless Steel
<a href="#">GRAS AL0005</a>	Swivel head
<a href="#">GRAS AL0006</a>	Tripod
<a href="#">GRAS RA0019</a>	Adapter for 1/4" microphone and 1/2" preamplifier
<a href="#">GRAS RA0073</a>	Adapter for 1" microphone and 1/2" preamplifier
<a href="#">GRAS RA0190</a>	Right-angled (90°) Adapter for 1/2" Microphone and 1/2" Preamplifier
<a href="#">GRAS RA0018</a>	20 dB Attenuator for prepolarized 1/2" microphones
<a href="#">GRAS RA0062</a>	20 pF Preamplifier-input Adapter for 1/2" preamplifiers
<a href="#">GRAS 12AL</a>	1-Channel CCP Power Module with A-weighting filter
<a href="#">GRAS 12AQ</a>	2-Channel Universal Power Module with signal conditioning and PC interface

GRAS Sound & Vibration reserves the right to change specifications and accessories without notice.

# GRAS Worldwide

Subsidiaries and distributors in more  
than 40 countries

**HEAD OFFICE, DENMARK**  
**GRAS SOUND & VIBRATION**  
Skovlytoften 33  
2840 Holte  
Denmark  
Tel: +45 4566 4046  
[www.gras.dk](http://www.gras.dk)  
[gras@gras.dk](mailto:gras@gras.dk)

**USA**  
**GRAS SOUND & VIBRATION**  
5750 S.W. Arctic Drive  
Beaverton, OR 97005  
Tel: 503-627-0832  
Toll Free: 800-231-7350  
[www.gras.us](http://www.gras.us)  
[sales@gras.us](mailto:sales@gras.us)

**CHINA**  
**GRAS SOUND & VIBRATION**  
Room 303, Building T6  
Hongqiaohui, 990, Shenchang Road  
Minhang District, Shanghai  
China, 201106  
Tel: +86 21 64203370  
[www.gras.com.cn](http://www.gras.com.cn)  
[cnsales@gras.dk](mailto:cnsales@gras.dk)



## ABOUT GRAS SOUND & VIBRATION

GRAS is a worldwide leader in the sound and vibration industry. We develop and manufacture state-of-the-art measurement microphones to industries where acoustic measuring accuracy and repeatability is of utmost importance in R&D, QA and production. This includes applications and solutions for customers within the fields of aerospace, automotive, audiology, and consumer electronics. GRAS microphones are designed to live up to the high quality, durability and accuracy that our customers have come to expect and trust.

**GRAS** Sound  
& Vibration