

GRAS 26CA-HT

1/2" CCP High Temperature
Preamplifier with BNC
Connector



Freq range: 2.5 Hz - 200 kHz
Noise: 1.8 μ V Gain: -0.30 dB
Special feature: High Temperature

The GRAS 26CA-HT 1/2" CCP High Temperature Preamp (BNC) is a 1/2" CCP preamplifier for use with prepolarized microphones. It is optimized for high-temperature applications up to 120 °C (248 °F). It has a low inherent noise level, a large dynamic range and a frequency response from 2 Hz to 200 kHz.

Typical applications and use

Prepolarized microphones

Operating temperature up to 120 °C (248 °F)

Low noise floor and wide frequency range

Design

The GRAS 1/2" Preamplifier 26CA-HT is similar to the GRAS 26CA Standard Preamplifier, but optimized for use in high-temperature applications up to 120 °C (248 °F).

It uses a CCP (Constant Current Power) supply, e.g. GRAS 12AL 1-Channel CCP Power Module with A-weighting filter. It has a very low inherent noise level, a large dynamic range and a frequency response from below 2 Hz to above 200 kHz. Its small ceramic thick-film substrate has a very high input impedance, and is shielded by a guard ring to minimise the influence of stray capacitance and microphonic interference.

It has TEDS* according to IEEE P1451.4 for easy self identification and reading of calibration data.

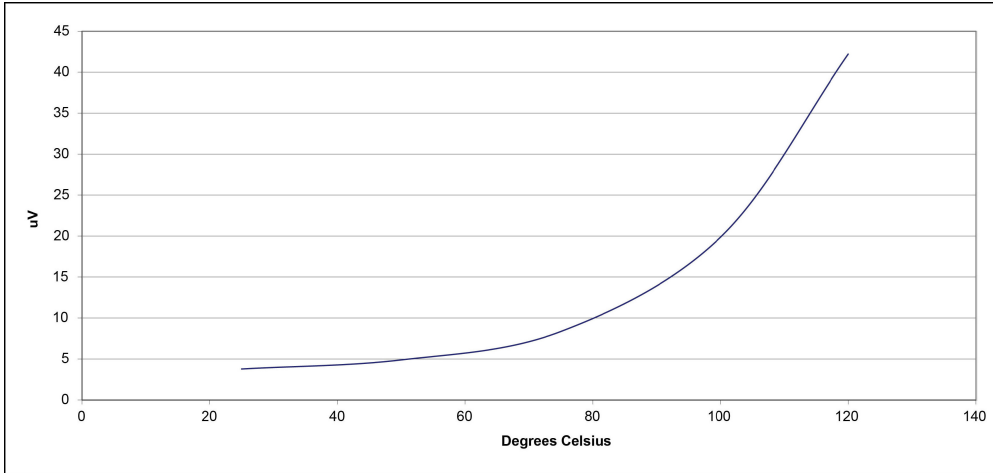
It has an integrated BNC output connector and can be used with all GRAS prepolarized microphones. The casing is made of stainless steel for maximum strength and durability.

* Transducer Electronic Data Sheet

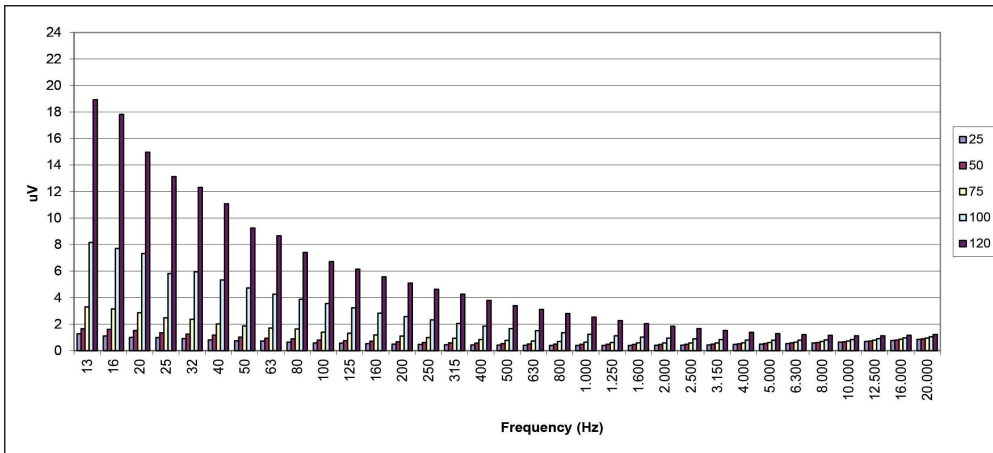
Frequency range (± 0.2 dB) with 18 pF microphone dummy	Hz	2.5 to 200 k
Slew rate	V/ μ s	20
Input impedance	G Ω // pF	20 // 0.4
Output impedance	Ω	< 50
Output Voltage Swing, min. @ 24-28 V CCP voltage supply	Vp	8
Noise (A-Weighted) max.	μ V	2.5
Noise (A-Weighted) typ.	μ V	1.8
Noise (Linear 20 Hz – 20 kHz) max.	μ V	6
Noise (Linear 20 Hz – 20 kHz) typ.	μ V	3.5
Gain	dB	-0.30
Power supply (Constant Current Power)	mA	2 to 20 (typical 4)
DC bias voltage, typ.	V	12
Temperature range, operation	$^{\circ}$ C / $^{\circ}$ F	-30 to 120 / -22 to 248
Temperature range, storage	$^{\circ}$ C / $^{\circ}$ F	-40 to 85 / -40 to 185
Humidity range non condensing	% RH	0 - 95
TEDS UTID (IEEE 1451.4)		769 v. 0.9
Connector type		BNC
CE/RoHS compliant/WEEE registered		Yes / Yes / Yes
Weight	g / oz	26.0 / 0.92

Conditions: 23 $^{\circ}$ C Ambient temperature, 4 mA / 24 V open loop CCP voltage, 18 pF dummy microphone, 3 m output coax-cable.

The TEDS is guaranteed to work properly up to 85 $^{\circ}$ C. We have no indication that it will not work properly up to 120 $^{\circ}$ C, however we cannot guarantee that it will remain stable at this level.



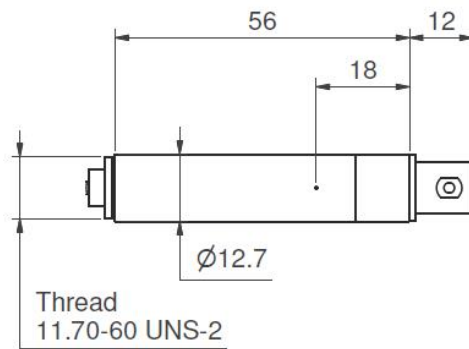
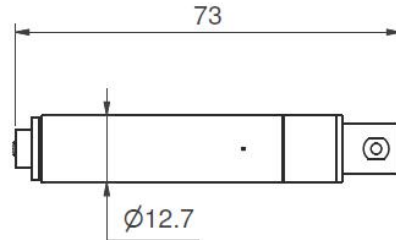
Noise vs. temperature, linear 20 Hz - 20 kHz



Typical noise level at 25, 50, 75, 100 and 120 °C, 1/3 octave bands.

GRAS Sound & Vibration reserves the right to change specifications and accessories without notice.

Dimensions in mm



Optional items

GRAS AA0018	3 m BNC - Microdot Cable, High Temperature
GRAS AA0095-CL	Customized Length BNC - BNC Cable, High Temperature
GRAS AE0046	BNC male - Microdot female Adapter
GRAS AL0012	1/2" Microphone Holder, Stainless Steel
GRAS RA0019	Adapter for 1/4" microphone and 1/2" preamplifier
GRAS RA0073	Adapter for 1" microphone and 1/2" preamplifier
GRAS RA0190	Right-angled (90°) Adapter for 1/2" Microphone and 1/2" Preamplifier
GRAS 12AL	1-Channel CCP Power Module with A-weighting filter
GRAS 12AQ	2-Channel Universal Power Module with signal conditioning and PC interface

GRAS Sound & Vibration reserves the right to change specifications and accessories without notice.

GRAS Worldwide

Subsidiaries and distributors in more
than 40 countries

HEAD OFFICE, DENMARK
GRAS SOUND & VIBRATION
Skovlytoften 33
2840 Holte
Denmark
Tel: +45 4566 4046
www.gras.dk
gras@gras.dk

USA
GRAS SOUND & VIBRATION
5750 S.W. Arctic Drive
Beaverton, OR 97005
Tel: 503-627-0832
Toll Free: 800-231-7350
www.gras.us
sales@gras.us

CHINA
GRAS SOUND & VIBRATION
Room 303, Building T6
Hongqiaohui, 990, Shenchang Road
Minhang District, Shanghai
China, 201106
Tel: +86 21 64203370
www.gras.com.cn
cnsales@gras.dk



ABOUT GRAS SOUND & VIBRATION

GRAS is a worldwide leader in the sound and vibration industry. We develop and manufacture state-of-the-art measurement microphones to industries where acoustic measuring accuracy and repeatability is of utmost importance in R&D, QA and production. This includes applications and solutions for customers within the fields of aerospace, automotive, audiology, and consumer electronics. GRAS microphones are designed to live up to the high quality, durability and accuracy that our customers have come to expect and trust.

GRAS Sound
& Vibration