

GRAS 26AG

1/2" Insert Voltage
Preamplifier with Integrated
Connector



Freq range: 2.5 Hz - 200 kHz
Noise: 1.8 μ V
Gain: -0.25 dB
Special feature: Insert voltage for
determining open-circuit sensitivity of a
microphone

The GRAS 26AG is a small robust preamplifier with insert voltage calibration facility. It has a very low inherent noise level, a wide dynamic range and a frequency response from below 2 Hz to above 200 kHz.

Typical application & use

Precision measurements

Low-pressure measurements

General-purpose preamplifiers

Design

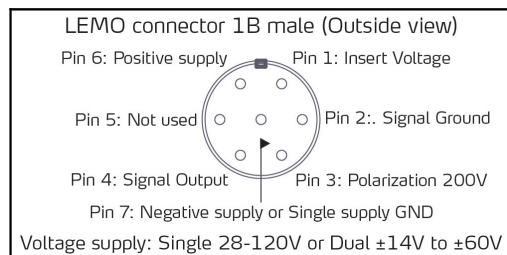
All GRAS microphone preamplifiers are based on a small ceramic thick film substrate with a very high input impedance. The ceramic substrate is shielded by a guard ring to minimise the influence of stray capacitance and microphonic interference. The casing is made of stainless steel for maximum strength and durability. The small dimensions of the 26AG preamplifier ensures reliable operation under humid conditions owing to the heat generated by internal power dissipation.

Compatibility

The 26AG preamplifier is compatible with ½-inch microphones as defined in international standard IEC1094 Measurement Microphones, Part 4: Specifications for working standard microphones. The mounting thread (11.7 mm - 60 UNS-2) is compatible with other available makes of similar microphone preamplifiers.

The 26AG is integrated with a 7-pin LEMO series 1B plug and comes with an insert-voltage calibration facility for determining the open-circuit sensitivity of condenser microphones.

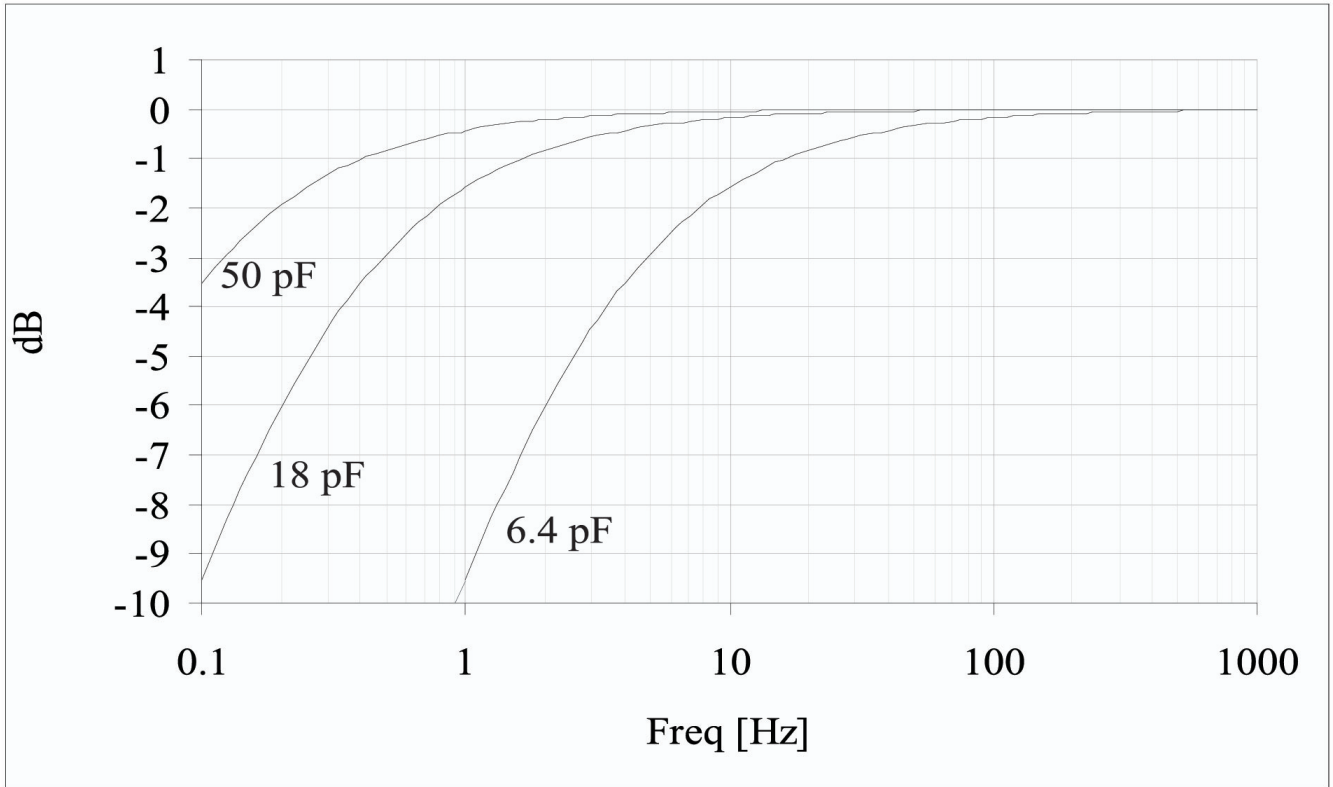
Connector



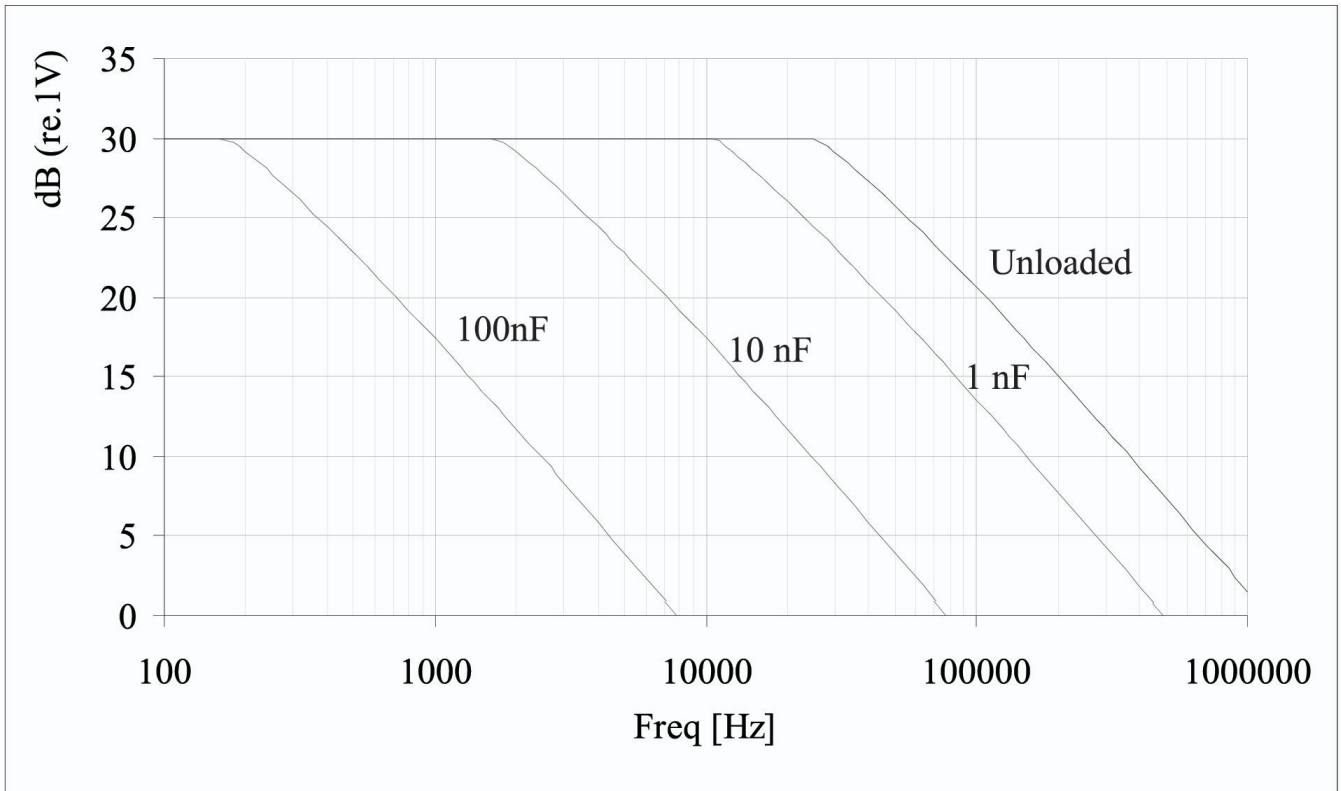
7-pin LEMO 1B male (ext. view)

Frequency range (± 0.2 dB) with 18 pF microphone dummy	Hz	2.5 to 200 k
Slew rate	V/ μ s	20
Input impedance	G Ω // pF	20 // 0.4
Output impedance	Ω	75
Output Voltage Swing, max. @ ± 14 V/+28V power supply	V _p	12
Output Voltage Swing, max. @ ± 60 V/+120V power supply	V _p	50
Noise (A-Weighted) max.	μ V	2.5
Noise (A-Weighted) typ.	μ V	1.8
Noise (Linear 20 Hz – 20 kHz) max.	μ V	6
Noise (Linear 20 Hz – 20 kHz) typ.	μ V	3.5
Gain	dB	-0.25
Power supply, single	V	28 to 120
Power supply, balanced	V	± 14 to ± 60
DC-offset, min., single supply	V	$0.5 \times V_s - 1$
DC-offset, max., single supply	V	$0.5 \times V_s + 4$
DC-offset, balanced supply	V	-1 to 4
Temperature range, operation	$^{\circ}$ C / $^{\circ}$ F	-30 to 70 / -22 to 158
Temperature range, storage	$^{\circ}$ C / $^{\circ}$ F	-40 to 85 / -40 to 185
Humidity range non condensing	% RH	0 to 95
Connector type		7-pin LEMO (FGG.1B.307)
CE/RoHS compliant/WEEE registered		Yes / Yes, Yes
Weight	g / oz	34.0 / 1.24

Conditions: 23 $^{\circ}$ C Ambient temperature, ± 60 V/+120V power supply, 18 pF dummy microphone, 3 m output cable.



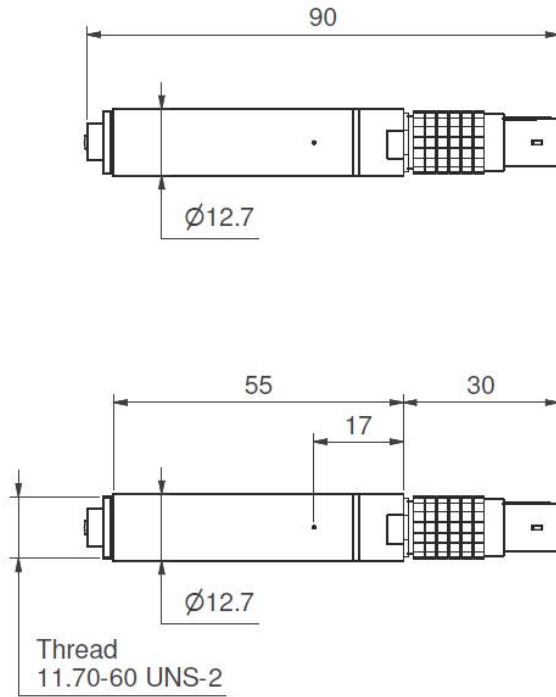
Low frequency response for various microphone capacities



Max. RMS output signal for various cable loads with 120 V supply

GRAS Sound & Vibration reserves the right to change specifications and accessories without notice.

Dimensions in mm



Optional items

GRAS AA0008	3 m LEMO 7-pin - LEMO 7-pin Cable
GRAS AA0020- CL	Customized Length LEMO 7-pin - LEMO 7-pin Cable

GRAS Sound & Vibration reserves the right to change specifications and accessories without notice.

GRAS Worldwide

Subsidiaries and distributors in more
than 40 countries

HEAD OFFICE, DENMARK
GRAS SOUND & VIBRATION
Skovlytoften 33
2840 Holte
Denmark
Tel: +45 4566 4046
www.gras.dk
gras@gras.dk

USA
GRAS SOUND & VIBRATION
5750 S.W. Arctic Drive
Beaverton, OR 97005
Tel: 503-627-0832
Toll Free: 800-231-7350
www.gras.us
sales@gras.us

CHINA
GRAS SOUND & VIBRATION
Room 303, Building T6
Hongqiaohui, 990, Shenchang Road
Minhang District, Shanghai
China, 201106
Tel: +86 21 64203370
www.gras.com.cn
cnsales@gras.dk



ABOUT GRAS SOUND & VIBRATION

GRAS is a worldwide leader in the sound and vibration industry. We develop and manufacture state-of-the-art measurement microphones to industries where acoustic measuring accuracy and repeatability is of utmost importance in R&D, QA and production. This includes applications and solutions for customers within the fields of aerospace, automotive, audiology, and consumer electronics. GRAS microphones are designed to live up to the high quality, durability and accuracy that our customers have come to expect and trust.

GRAS Sound
& Vibration