

# MAXEON 3 SOLAR PANEL

410–420 W | Up to 22.2% Efficient



Ideal for residential applications



Black backsheet, black frame

## More Lifetime Energy

Designed to maximise energy generation through leading efficiency, enhanced performance in high temperatures, and higher energy conversion in low-light conditions like mornings, evenings and cloudy days.

## Uncompromising Durability

Engineered to power through all types of weather conditions with crack-resistant cells and reinforced connections that protect against fatigue and corrosion, to an electrical architecture that mitigates the impact of shade and prevents hot-spot formation.



## Superior Sustainability

Clean ingredients, responsible manufacturing, and lasting energy production for 40 years make SunPower Maxeon panels the most sustainable choice in solar.

SUNPOWER



## The Industry's Longest Warranty

SunPower Maxeon panels are covered by a 40-year warranty<sup>1</sup> backed by extensive third-party testing and field data from more than 33 million panels deployed worldwide.

|                                 |          |
|---------------------------------|----------|
| Product and power coverage      | 40 Years |
| Year 1 minimum warranted output | 98.0%    |
| Maximum annual degradation      | 0.25%    |



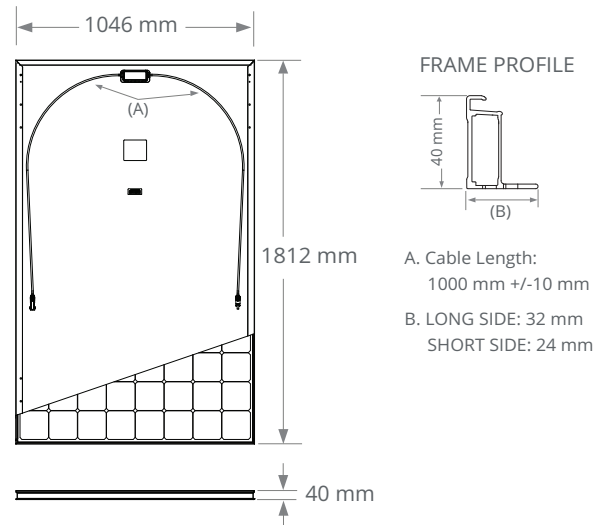
Learn more about the SPR-MAX3-XXX-BLK  
[sunpower.maxeon.com](https://sunpower.maxeon.com)

**MAXEON 3 POWER: 410–420 W | EFFICIENCY: Up to 22.2%**

| Electrical Data                   |                  |                  |                  |
|-----------------------------------|------------------|------------------|------------------|
|                                   | SPR-MAX3-420-BLK | SPR-MAX3-415-BLK | SPR-MAX3-410-BLK |
| Nominal Power (Pnom) <sup>2</sup> | 420 W            | 415 W            | 410 W            |
| Power Tolerance                   | +5/0%            | +5/0%            | +5/0%            |
| Panel Efficiency                  | 22.2%            | 21.9%            | 21.6%            |
| Rated Voltage (Vmpp)              | 71.3 V           | 70.8 V           | 70.4 V           |
| Rated Current (Impp)              | 5.89 A           | 5.86 A           | 5.82 A           |
| Open-Circuit Voltage (Voc)        | 81.5 V           | 81.4 V           | 81.4 V           |
| Short-Circuit Current (Isc)       | 6.33 A           | 6.32 A           | 6.31 A           |
| Max. System Voltage               | 1000 V IEC       |                  |                  |
| Maximum Series Fuse               | 20 A             |                  |                  |
| Power Temp Coef.                  | -0.27% / °C      |                  |                  |
| Voltage Temp Coef.                | -0.236% / °C     |                  |                  |
| Current Temp Coef.                | 0.058% / °C      |                  |                  |

| Operating Condition And Mechanical Data |   |
|---|---|
| Temperature                             | -40°C to +85°C  |
| Impact Resistance                       | 25 mm diameter hail at 23 m/s   |
| Solar Cells                             | 112 Monocrystalline Maxeon Gen 3  |
| Tempered Glass                          | High-transmission tempered anti-reflective  |
| Junction Box                            | IP-68, Stäubli (MC4), 3 bypass diodes   |
| Weight                                  | 21.2 kg   |
| Max. Load <sup>6</sup>                  | Wind: 2400 Pa, 244 kg/m <sup>2</sup> front & back<br>Snow: 5400 Pa, 550 kg/m <sup>2</sup> front |
| Frame                                   | Class 1 black anodized (highest AAMA rating)  |

| Warranties, Certifications and Compliance |  |
|---|--|
| Standard Tests <sup>3</sup>               | IEC 61215, IEC 61730   |
| Quality Management Certs                  | ISO 9001:2015, ISO 14001:2015  |
| Ammonia Test                              | IEC 62716  |
| Desert Test                               | IEC 60068-2-68, MIL-STD-810G   |
| Salt Spray Test                           | IEC 61701 (maximum severity)   |
| PID Test                                  | 1000 V: IEC 62804  |
| Available Listings                        | TUV  |
| IFLI Declare Label                        | First solar panel labeled for ingredient transparency and LBC-compliance. <sup>4</sup>   |
| Cradle to Cradle Certified™ Bronze        | First solar panel line certified for material health, water stewardship, material reutilization, renewable energy & carbon management, and social fairness. <sup>5</sup> |
| Green Building Certification Contribution | Panels can contribute additional points toward LEED and BREEAM certifications.   |
| EHS Compliance                            | RoHS, OHSAS 18001:2007, Recycle Scheme, REACH SVHC-163   |



Please read the safety and installation instructions. Visit [www.sunpower.maxeon.com/int/PVInstallGuideIEC](http://www.sunpower.maxeon.com/int/PVInstallGuideIEC). Paper version can be requested through [techsupport.ROW@maxeon.com](mailto:techsupport.ROW@maxeon.com).

1 40-year warranty is not available in all countries or all installations and requires registration, otherwise our 25-year warranty applies. Service availability varies by country and installation provider.

2 Standard Test Conditions (1000 W/m<sup>2</sup> irradiance, AM 1.5, 25° C). NREL calibration Standard: SOMS current, LACCS FF and Voltage.

3 Class C fire rating per IEC 61730.

4 Maxeon DC panels first received the International Living Future Institute Declare Label in 2016.

5 Maxeon DC panels are Cradle to Cradle Certified™ Bronze - [www.c2ccertified.org/products/scorecard/e-series\\_xseries\\_solar\\_panels\\_-\\_sunpower\\_corporation](http://www.c2ccertified.org/products/scorecard/e-series_xseries_solar_panels_-_sunpower_corporation).

Cradle to Cradle Certified™ is a certification mark licensed by the Cradle to Cradle Products Innovation Institute.

6 Safety factor 1.5 included.

Made in Philippines (Cells)

Assembled in Malaysia (Module)

Specifications included in this datasheet are subject to change without notice.

©2022 Maxeon Solar Technologies. All Rights Reserved.

View warranty, patent and trademark information at [maxeon.com/legal](http://maxeon.com/legal).

**SUNPOWER**  
FROM MAXEON SOLAR TECHNOLOGIES

544456 REV A / A4\_EN  
Publication Date: April 2022