

SunPower® E-Series Residential Solar Panels | E20-327

More than 20% Efficiency

Ideal for roofs where space is at a premium or where future expansion might be needed.

High Performance

Delivers excellent performance in real-world conditions, such as high temperatures, clouds and low light.^{1,2,4}

Proven Value

Designed for residential rooftops, E-Series panels deliver the features, value and performance for any home.



Maxeon™ Solar Cells: Fundamentally better

Engineered for performance, designed for durability.

Engineered for Peace of Mind

Designed to deliver consistent, trouble-free energy over a very long lifetime.^{3,4}

Designed for Durability

The SunPower Maxeon Solar Cell is the only cell built on a solid copper foundation. Virtually impervious to the corrosion and cracking that degrade conventional panels.³

#1 Rank in Fraunhofer durability test.⁹

100% power maintained in Atlas 25+ comprehensive durability test.¹⁰

High Performance & Excellent Durability



SPR-E20-327



High Efficiency⁵

Generate more energy per square meter

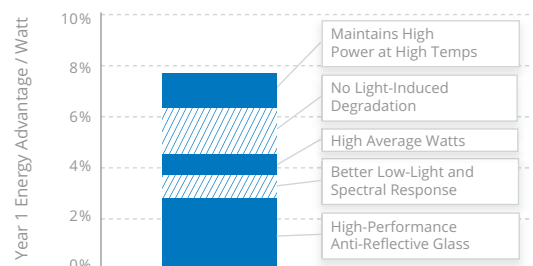
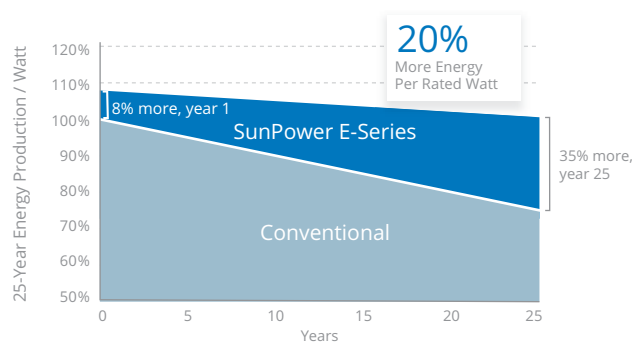
E-Series residential panels convert more sunlight to electricity by producing 31% more power per panel¹ and 60% more energy per square meter over 25 years.^{1,2,3}

High Energy Production⁶

Produce more energy per rated watt

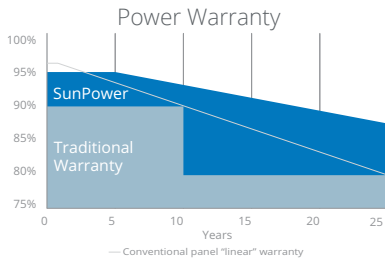
High year-one performance delivers 7–9% more energy per rated watt.²

This advantage increases over time, producing 20% more energy over the first 25 years to meet your needs.³

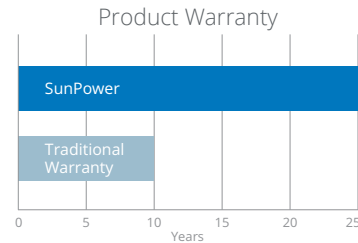


SunPower® E-Series Residential Solar Panels | E20-327

SunPower Offers The Best Combined Power And Product Warranty



More guaranteed power: 95% for first 5 years, -0.4%/yr. to year 25⁷



Combined Power and Product defect 25-year coverage⁸

Electrical Data

	SPR-E20-327	SPR-E19-320
Nominal Power (P _{nom}) ¹¹	327 W	320 W
Power Tolerance	+5/-0%	+5/-0%
Avg. Panel Efficiency ¹²	20.4%	19.9%
Rated Voltage (V _{mpp})	54.7 V	54.7 V
Rated Current (I _{mp})	5.98 A	5.86 A
Open-Circuit Voltage (V _{oc})	64.9 V	64.8 V
Short-Circuit Current (I _{sc})	6.46 A	6.24 A
Max. System Voltage	1000 V IEC & 600 V UL	
Maximum Series Fuse	15 A	
Power Temp Coef.	-0.35% / °C	
Voltage Temp Coef.	-176.6 mV / °C	
Current Temp Coef.	2.6 mA / °C	

Tests And Certifications

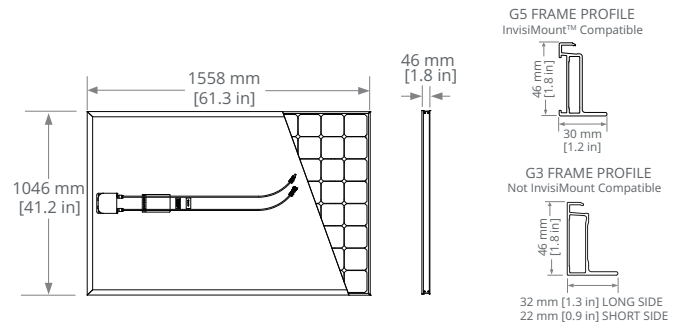
Standard Tests ¹³	IEC 61215, IEC 61730, UL1703 (Type 2 Fire Rating)
Quality Certs	ISO 9001:2008, ISO 14001:2004
EHS Compliance	RoHS, OHSAS 18001:2007, lead free, PV Cycle, REACH SVHC-163
Sustainability	Cradle to Cradle Certified™ Silver
Ammonia Test	IEC 62716
Desert Test	10.1109/PVSC.2013.6744437
Salt Spray Test	IEC 61701 (maximum severity)
PID Test	Potential-Induced Degradation free: 1000 V ⁹
Available Listings	TUV, UL, MCS, FSEC, CEC

Operating Condition And Mechanical Data

Temperature	-40° C to +85° C
Impact Resistance	25 mm diameter hail at 23 m/s
Appearance	Class A
Solar Cells	96 Monocrystalline Maxeon Gen II
Tempered Glass	High-transmission tempered anti-reflective
Junction Box	IP-65 Rated, Multi-Contact (MC4)
Weight	18.6 kg
Max. Load	G5 Frame: Wind: 3000 Pa, 305 kg/m ² Snow: 6000 Pa, 611 kg/m ²
	G3 Frame: Cyclonic Wind: 7500 Pa, 764 kg/m ² ¹⁴ Snow: 5400 Pa, 550 kg/m ²
	Frame

REFERENCES:

- All comparisons are SPR-E20-327 vs. a representative conventional panel: 250 W, approx. 1.6 m², 15.3% efficiency.
- Typically 7-9% more energy per watt, BEW/DNV Engineering "SunPower Yield Report," Jan 2013.
- SunPower 0.25%/yr degradation vs. 1.0%/yr conv. panel. Campeau, Z. et al. "SunPower Module Degradation Rate," SunPower white paper, Feb 2013; Jordan, Dirk "SunPower Test Report," NREL, Q1-2015.
- "SunPower Module 40-Year Useful Life" SunPower white paper, May 2015. Useful life is 99 out of 100 panels operating at more than 70% of rated power.
- Second highest, after SunPower X-Series, of over 3,200 silicon solar panels, Photon Module Survey, Feb 2014.
- 8% more energy than the average of the top 10 panel companies tested in 2012 (151 panels, 102 companies), Photon International, Feb 2013.
- Compared with the top 15 manufacturers. SunPower Warranty Review, May 2015.
- Some restrictions and exclusions may apply. See warranty for details..
- 5 of top 8 panel manufacturers tested in 2013 report, 3 additional panels in 2014. Ferrara, C., et al. "Fraunhofer PV Durability Initiative for Solar Modules: Part 2". Photovoltaics International, 2014.
- Compared with the non-stress-tested control panel. Atlas 25+ Durability test report, Feb 2013.
- Standard Test Conditions (1000 W/m² irradiance, AM 1.5, 25° C). NREL calibration Standard: SOMS current, LACCS FF and Voltage.
- Based on average of measured power values during production.
- Type 2 fire rating per UL1703:2013, Class C fire rating per UL1703:2002.
- AS/NZS4040.2 Static strength test regime, AS/NZS1170.2 Structural Design Actions - Wind Actions.



Please read the safety and installation guide.

See www.sunpower.com/facts for more reference information.
For more details, see extended datasheet: www.sunpower.com.au/datasheets.

Document # 505813 Rev E /A4_UK_AUS