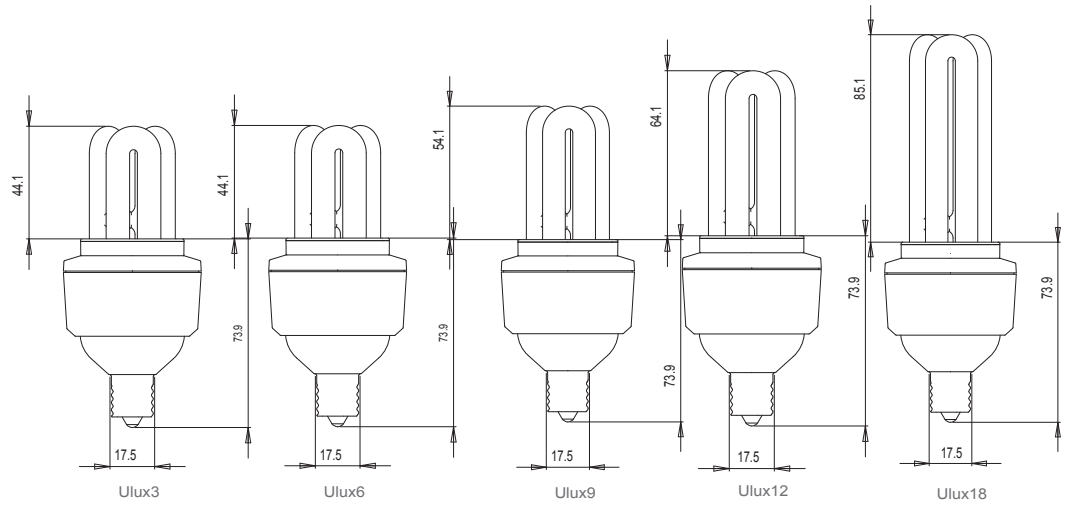


## General Specifications

Product name <input type="checkbox"/>	<input type="checkbox"/> Ulux
Product description <input type="checkbox"/>	<input type="checkbox"/> 12VDC Compact Fluorescent Lamp base with integrated <input type="checkbox"/> <input type="checkbox"/> <input type="checkbox"/>
<input type="checkbox"/>	<input type="checkbox"/> preheat inverter, and interchangeable available in 2 color lampshader,
<input type="checkbox"/>	<input type="checkbox"/> Cool Daylight and Warm White fluorescent tube.
<input type="checkbox"/>	<input type="checkbox"/> For use with standard e17 range only.

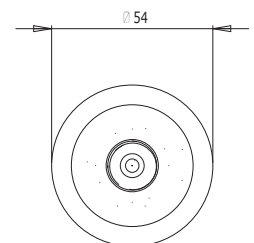
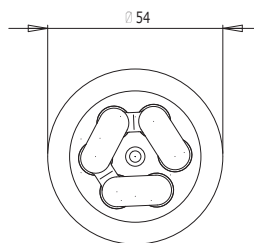
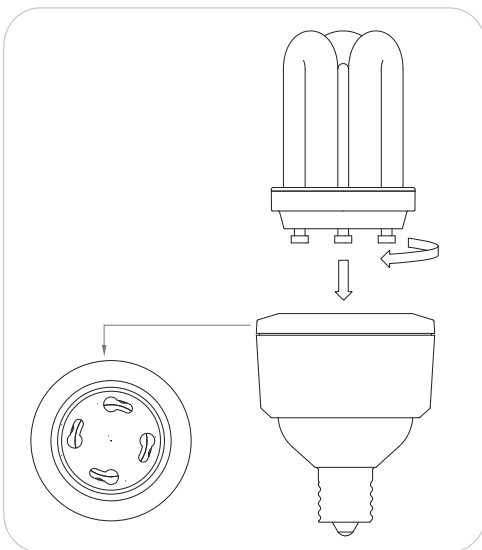


## Electrical Specifications

Available types <input type="checkbox"/>	<input type="checkbox"/> Ulux3 (3 Watt) <input type="checkbox"/>	<input type="checkbox"/> Ulux6 (6 Watt) <input type="checkbox"/>	<input type="checkbox"/> Ulux9 (9 Watt) <input type="checkbox"/>	<input type="checkbox"/> Ulux12 (12 Watt) <input type="checkbox"/>	<input type="checkbox"/> Ulux18 (18 Watt) <input type="checkbox"/>
Nominal operating voltage <input type="checkbox"/>	<input type="checkbox"/> 12.0 VDC <input type="checkbox"/>	<input type="checkbox"/> 12.0 VDC <input type="checkbox"/>	<input type="checkbox"/> 12.0 VDC <input type="checkbox"/>	<input type="checkbox"/> 12.0 VDC <input type="checkbox"/>	<input type="checkbox"/> 12.0 VDC <input type="checkbox"/>
Minimum operating voltage <input type="checkbox"/>	<input type="checkbox"/> 10.0 VDC <input type="checkbox"/>	<input type="checkbox"/> 10.0 VDC <input type="checkbox"/>	<input type="checkbox"/> 10.0 VDC <input type="checkbox"/>	<input type="checkbox"/> 10.0 VDC <input type="checkbox"/>	<input type="checkbox"/> 10.0 VDC <input type="checkbox"/>
Maximum operating voltage <input type="checkbox"/>	<input type="checkbox"/> 14.5 VDC <input type="checkbox"/>	<input type="checkbox"/> 14.5 VDC <input type="checkbox"/>	<input type="checkbox"/> 14.5 VDC <input type="checkbox"/>	<input type="checkbox"/> 14.5 VDC <input type="checkbox"/>	<input type="checkbox"/> 14.5 VDC <input type="checkbox"/>
Nominal operating current <input type="checkbox"/>	<input type="checkbox"/> 0.21 Amp <input type="checkbox"/>	<input type="checkbox"/> 0.43 Amp <input type="checkbox"/>	<input type="checkbox"/> 0.64 Amp <input type="checkbox"/>	<input type="checkbox"/> 0.86 Amp <input type="checkbox"/>	<input type="checkbox"/> 1.29 Amp <input type="checkbox"/>
Maximum operating current <input type="checkbox"/>	<input type="checkbox"/> 0.25 Amp <input type="checkbox"/>	<input type="checkbox"/> 0.50 Amp <input type="checkbox"/>	<input type="checkbox"/> 0.75 Amp <input type="checkbox"/>	<input type="checkbox"/> 1.00 Amp <input type="checkbox"/>	<input type="checkbox"/> 1.50 Amp <input type="checkbox"/>
Lumen output <input type="checkbox"/>	<input type="checkbox"/> >120 lumen <input type="checkbox"/>	<input type="checkbox"/> >240 lumen <input type="checkbox"/>	<input type="checkbox"/> >360 lumen <input type="checkbox"/>	<input type="checkbox"/> >510 lumen <input type="checkbox"/>	<input type="checkbox"/> >800 lumen <input type="checkbox"/>
Nominal operating frequency <input type="checkbox"/>	<input type="checkbox"/> 48 kHz <input type="checkbox"/>				
Life time of tube (on-off cycles) <input type="checkbox"/>	<input type="checkbox"/> >100,000 cycles <input type="checkbox"/>				
Life time of tube (burning hours) <input type="checkbox"/>	<input type="checkbox"/> >10,000 hrs <input type="checkbox"/>				
Other functionality <input type="checkbox"/>	<input type="checkbox"/> Reverse polarity protection <input type="checkbox"/>				
<input type="checkbox"/>	<input type="checkbox"/> Replaceable tube with bayonet type connector <input type="checkbox"/>				
<input type="checkbox"/>	<input type="checkbox"/> Protection for operation without tube <input type="checkbox"/>				

## Mechanical Specifications

Lamp Base Materials <input type="checkbox"/>	<input type="checkbox"/> White ABS (flame retardant UV stabilized) <input type="checkbox"/>				
Screw fitting material <input type="checkbox"/>	<input type="checkbox"/> Brass / Nickel plated (low resistance) <input type="checkbox"/>				
Product dimensions (HxDia) <input type="checkbox"/>	<input type="checkbox"/> 118mm x 55mm <input type="checkbox"/>	<input type="checkbox"/> 118mm x 55mm <input type="checkbox"/>	<input type="checkbox"/> 128mm x 55mm <input type="checkbox"/>	<input type="checkbox"/> 138mm x 55mm <input type="checkbox"/>	<input type="checkbox"/> 159mm x 55mm <input type="checkbox"/>
Nett product weight <input type="checkbox"/>	<input type="checkbox"/> 0.078 kg <input type="checkbox"/>	<input type="checkbox"/> 0.078 kg <input type="checkbox"/>	<input type="checkbox"/> 0.082 kg <input type="checkbox"/>	<input type="checkbox"/> 0.086 kg <input type="checkbox"/>	<input type="checkbox"/> 0.094 kg <input type="checkbox"/>



**Ulux** Specifications sheet

Because of continuous research and development of our products the information and specifications in this data sheet are subject to change without prior notice.