

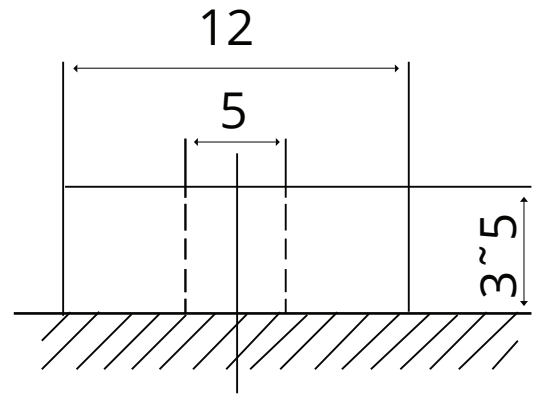
# SENTRY<sup>®</sup> LITHIUM

LiFePO<sub>4</sub> Battery

SL12V15H



## Terminal M5 Insert



## Sentry Lithium Specification Sheet

The Sentry Lithium 12V range has been specifically designed for replacement of similar size Lead acid batteries. The family comprises of the popular sizes found in the lead acid range but with the added benefits of Lithium Iron Phosphate (LiFePO<sub>4</sub>) technology and is ideally suited to those lower power, longer run time applications.

## Features & Benefits

- In built protection against over and undercharge, over temperature as well as internal cell balancing – Ensuring the highest safety
- Greater number of cycles (>2500) along with greater usage of available capacity (up to 100%) when compared to SLA – lowering total cost of ownership
- High energy density means close to half the weight of equivalent SLA – Ideal for mobile applications or where weight is an issue.
- Can be charged using most standard SLA chargers (Set to AGM/Gel setting) – utilise your existing charging infrastructure.
- UL1642 at cell level

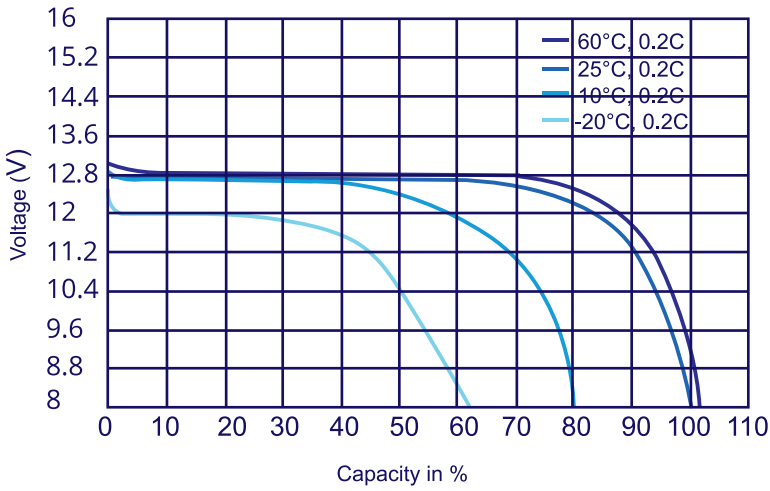
## Applications

- Mobility Applications including Golf Carts, Scooters, medical equipment etc.
- Caravan and camping
- Solar energy storage
- UPS and critical power

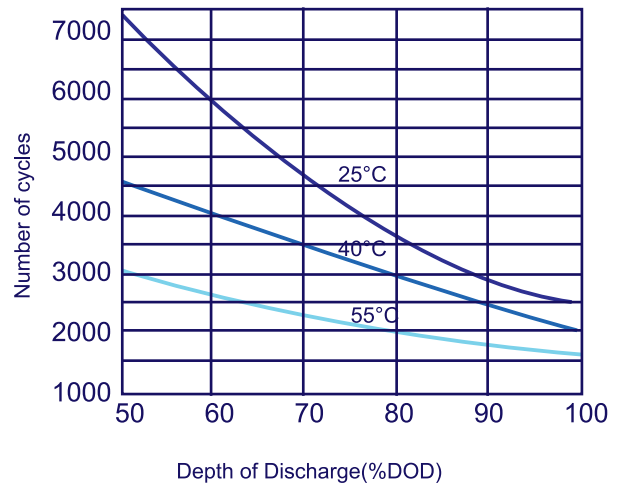
## Performance Specification

Nominal Voltage	12.8V
Nominal Capacity (25°C, 0.2C)	15AH
Terminal	M5 Insert
Dimensions	
Length	181mm
Width	77mm
Height	163mm
Total Height (Including Terminal)	167mm
Approximate Weight	2.7kg
Voltage Window	9.2V to 14.6V
Float Charge Voltage	13.8V
Max. Continuous Discharge Current	30A
Max. Pulse Discharge Current	80A 10Sec
Max. Continuous Charge Current	15A
Cycle Life (+20°C 0.2C 100% DOD)	>2500 Cycles
Operating Temperature Charge	0°C to 60°C
Operating Temperature Discharge	-30°C to 60°C
Storage Temperature	0°C to 30°C
Storage Duration (25°C)	12months
Maximum Parallel Configuration	3
Maximum Series Configuration	2

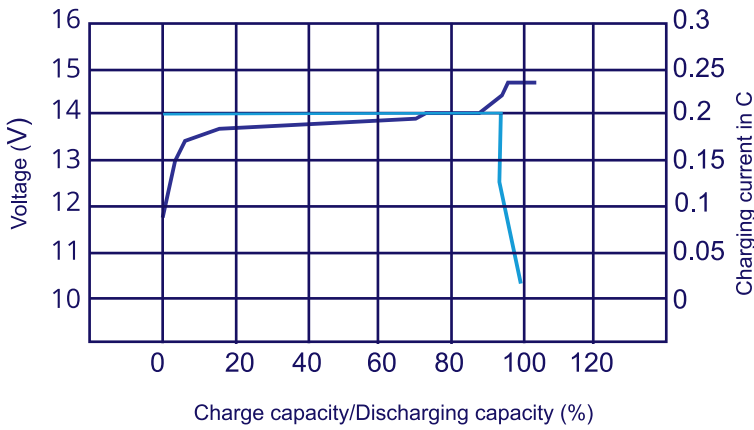
### Discharge Voltage Curves (at various ambient temperatures)



### Cycle life vs DOD at 0.2C



### Charging Characteristics (0.2C@25°C)



### Self-discharging characteristic

