

# DINGO 20/20 TYPICAL INSTALLATION DIAGRAMS

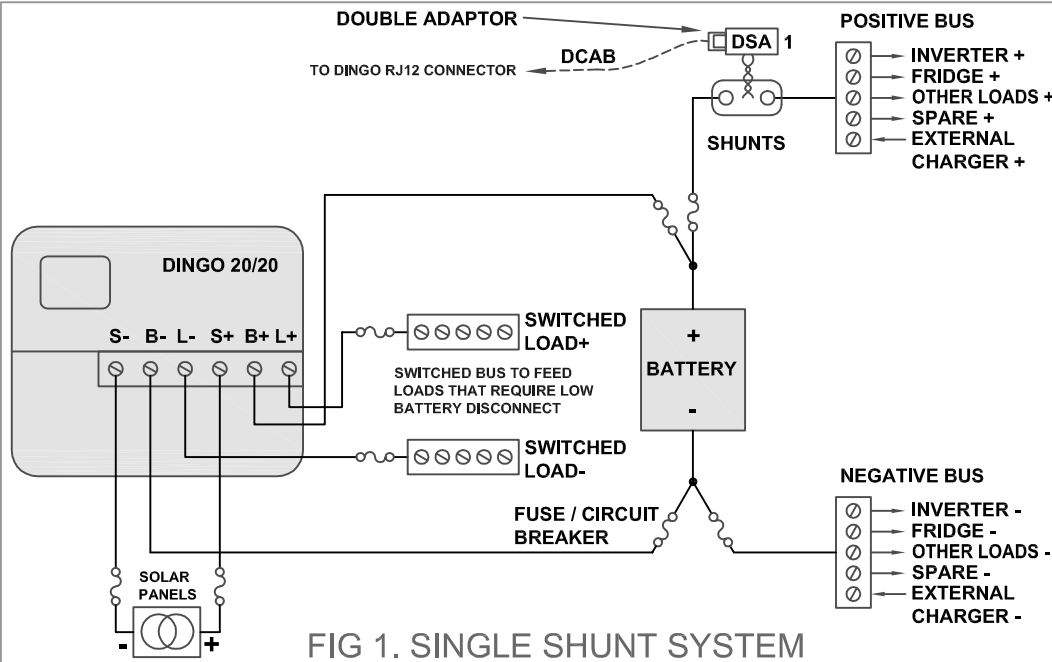


FIG 1. SINGLE SHUNT SYSTEM

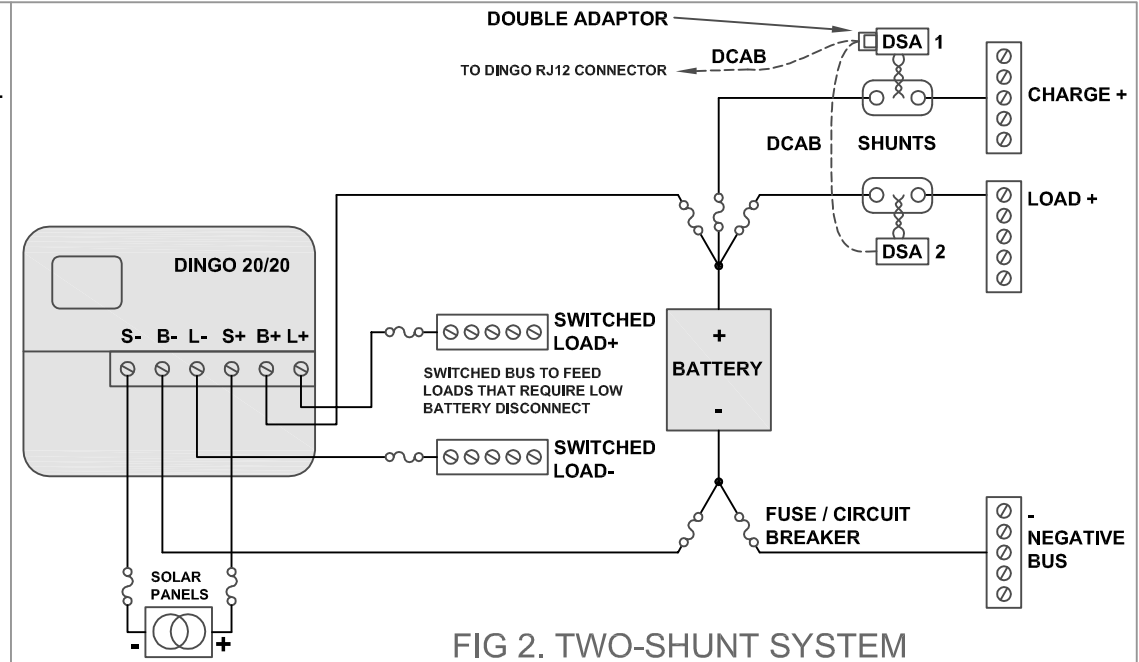


FIG 2. TWO-SHUNT SYSTEM

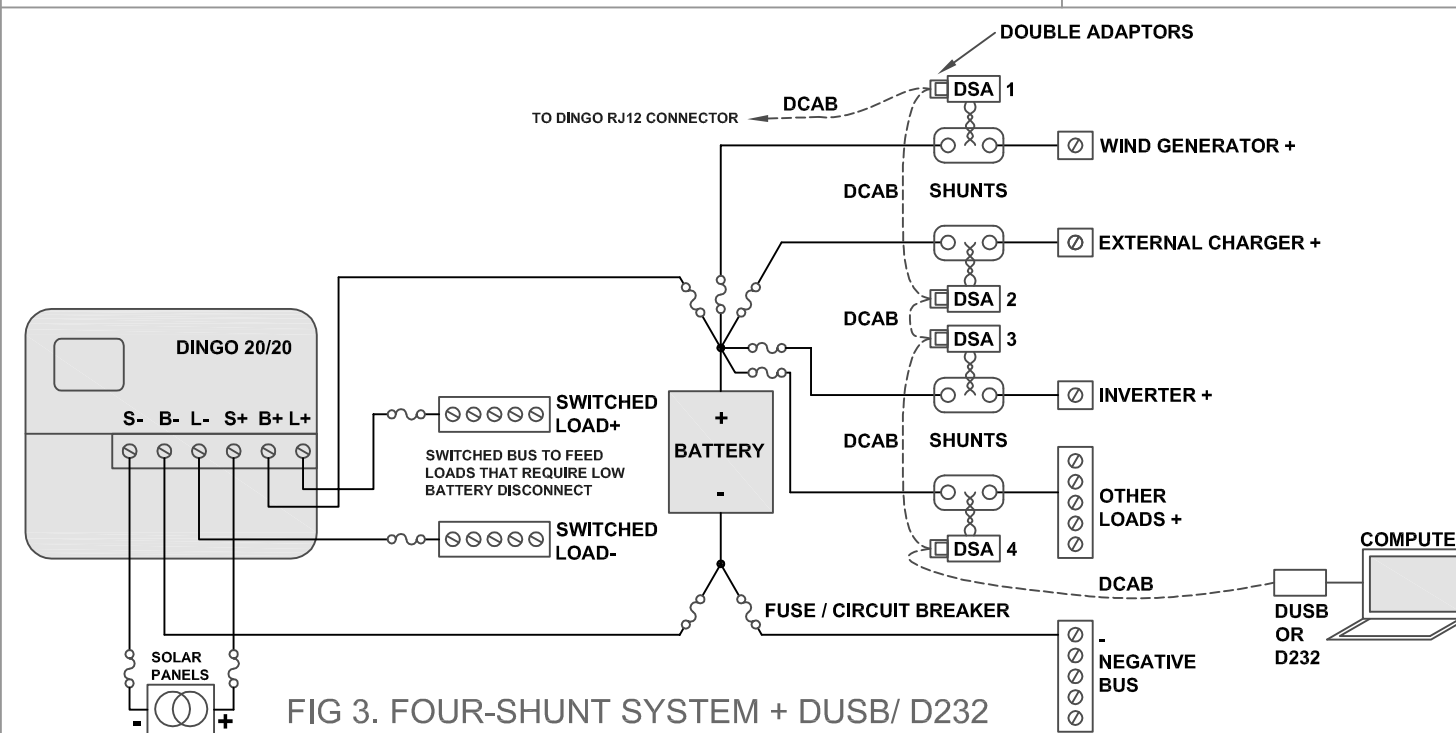


FIG 3. FOUR-SHUNT SYSTEM + DUSB/ D232

## NOTES

1. THIS DIAGRAM IS FOR REFERENCE ONLY.
2. WIRING AND FUSES ETC. MUST BE INSTALLED AS SPECIFIED BY THE RELEVANT AUSTRALIAN STANDARDS.
3. MAXIMUM OF FOUR DINGO SHUNT ADAPTORS (DSA) ON THE COMMUNICATIONS BUS.
4. EACH DSA MUST BE SET TO A DIFFERENT ADDRESS (1 - 4).
5. SHUNTS MAY BE INSTALLED IN THE POSITIVE BUS WIRE OR THE NEGATIVE BUS WIRE.
6. IN FIG 1, DSA/SHUNT READS 'BALANCE' OF LOAD/CHARGE CURRENT SINCE SOME EXTERNAL CHARGE CURRENT MAY BE 'TAKEN' BY LOAD AND NOT GO THROUGH SHUNT.
7. IN FIG 2, DSA1 READS TOTAL EXTERNAL CHARGE CURRENT AND DSA2 READS TOTAL EXTERNAL LOAD CURRENT.
8. IN FIG 3, DSA1 READS WIND GENERATOR CHARGE CURRENT, DSA2 READS EXTERNAL CHARGER CURRENT, DSA3 READS INVERTER LOAD CURRENT AND DSA4 READS OTHER LOAD CURRENTS.
9. DCAB IS 6 CORE MULTI-STRAND, INSULATED CABLE WITH A BLACK SHEATH.
10. DOUBLE ADAPTORS (DA) ARE 6 PIN 2 FEMALE 1 MALE RJ12 CONNECTORS.