

Series 550 Pump

Model: 55XX-XX01-B636

Flow Range: Open Flow = 2.7-5.3 GPM

At 70 PSI = 1.1-3.0 GPM

COMPLETING THE PART NUMBER:

55XX-XX01-B636

DESIRED SHUT-OFF PRESSURE

0 = NONE B = 40PSI D = 50PSI F = 70PSI
A = 30PSI C = 45PSI E = 60PSI

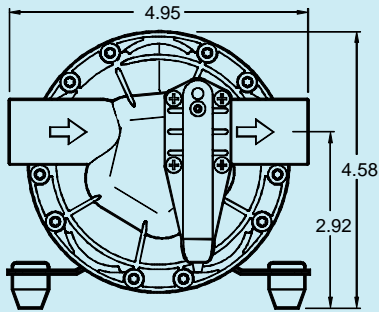
0 = NO CONTROL (WAIVER REQUIRED)

1 = PRESSURE SWITCH CONTROL (STANDARD)

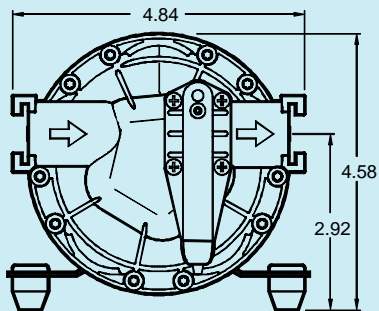
SELECT MODEL FROM PERFORMANCE DATA CHART

0 = QUICK DISCONNECT PORT

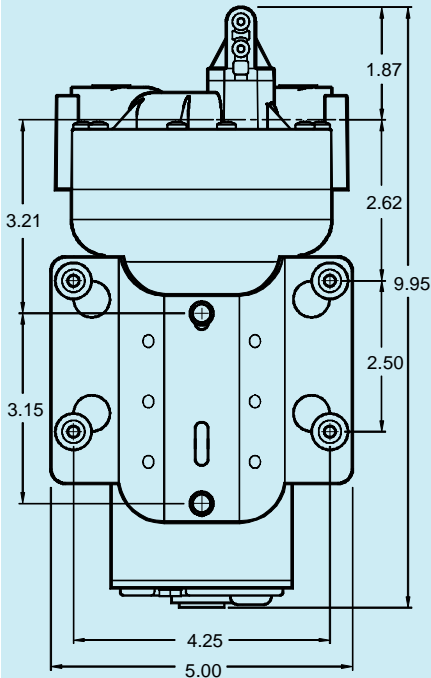
1 = 1/2" NPT (FEMALE) PORT



MODEL 551X



MODEL 550X



WEIGHT: 8 lbs.

MOTOR:

TYPE:

12 VDC, Permanent Magnet,
Totally Enclosed, Non-Ventilated

LEADS:

14 AWG, 12" LONG

TEMP. LIMITS:

This Motor is Not Equipped with Thermal Protection. For User Safety, Optimal Performance, and Maximum Motor Life, The Motor Surface Temperature Should Not Exceed 150°F (66°C), as Shown on the Heat Rise Graph.

DUTY CYCLE:

See Heat Rise Graph

PUMP DESIGN:

5 Chamber Diaphragm Pump, Self Priming,
Capable of Being Run Dry

TYPICAL APPLICATION:

Industrial Grade Water Transfer

MATERIALS:

HOUSINGS:

Nylon

VALVES:

EPDM

DIAPHRAGM:

Santoprene

FASTENERS:

Stainless Steel

LIQUID TEMPERATURE:

170°F (77°C) Max.

PUMP CERTIFICATIONS:

NSF Standard 58

PRIMING CAPABILITIES:

	55X0	55X1	55X2	55X3
PRIME (FEET)	7	8	11	13

FITTINGS:

TYPE	SHAPE	HOSE BARB SIZE		
		1/2"	5/8"	3/4"
QUICK DISCONNECT	STRAIGHT	QBS-554	QBS-555	QBS-556
(MODEL 550X)	ELBOW	QBE-554	QBE-555	QBE-556
NPT (FEMALE)	STRAIGHT	MPS-554	MPS-555	MPS-556
(MODEL 551X)	ELBOW	MPE-554	MPE-555	MPE-556



Aquatec Water Systems, Inc.
17422 Pullman
Irvine, CA 92614
Sales: 949-225-2200
Fax: 949-225-2222

DOCUMENT:
ISSUED:
REVISED:

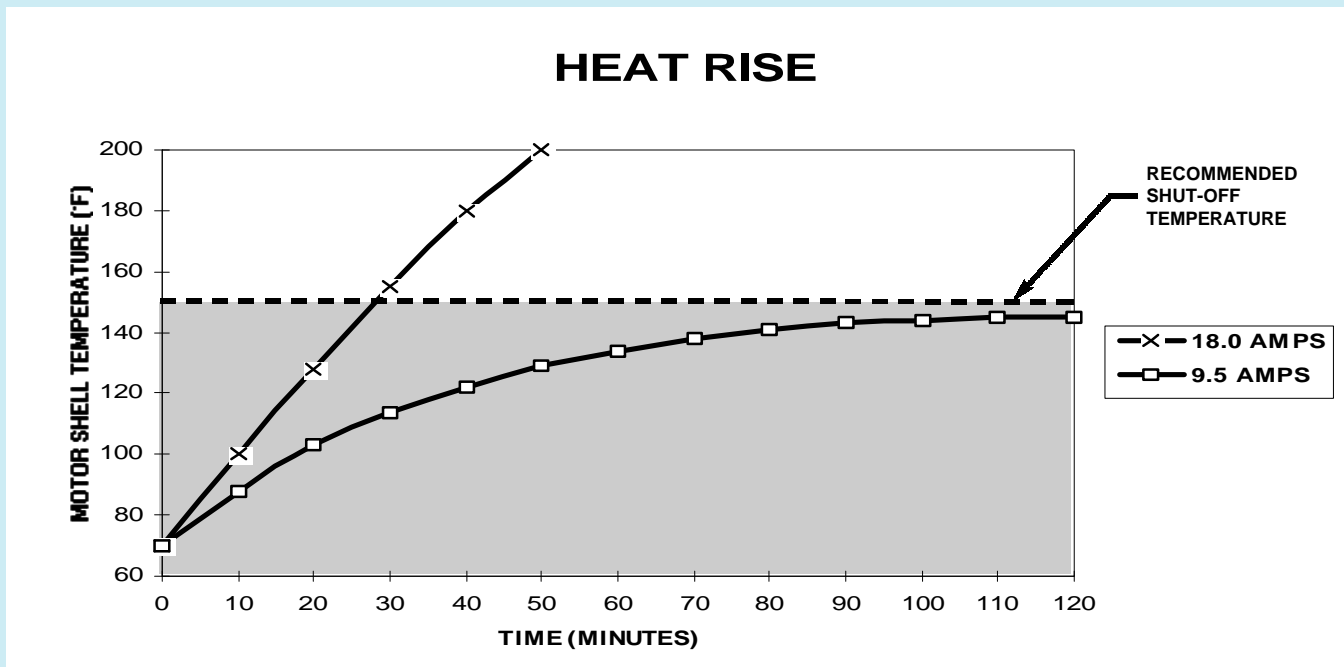
DS55XX-XX01-B636
11/12/99
2/26/01

Series 550 Pump

Model: 55XX-XX01-B636

PERFORMANCE DATA								
DISCHARGE	PUMPHEAD							
PRESSURE	55X0		55X1		55X2		55X3	
(PSI)	FLOW (GPM)	CURRENT (AMPS)	FLOW (GPM)	CURRENT (AMPS)	FLOW (GPM)	CURRENT (AMPS)	FLOW (GPM)	CURRENT (AMPS)
70	1.10	7.20	1.80	11.20	2.50	15.00	3.00	18.00
60	1.25	7.00	2.00	10.50	2.65	14.00	3.20	16.30
50	1.40	6.60	2.10	9.50	2.80	12.80	3.55	14.60
40	1.60	6.20	2.30	8.50	3.00	11.20	3.80	13.00
30	1.80	5.20	2.50	7.20	3.25	9.80	4.10	11.00
20	2.10	4.60	2.75	5.80	3.50	8.00	4.50	9.00
10	2.40	3.60	3.05	4.60	3.90	6.20	4.90	7.00
OPEN	2.75	2.50	3.35	3.20	4.25	5.00	5.30	5.50

PERFORMANCE MEASURED WITH FLOODED INLET (0 PSI), 70°F (21°C) AMBIENT AND WATER TEMPERATURE, AND VOLTAGE CONTROLLED AT 12 VDC. POSITIVE INLET PRESSURE WILL INCREASE THE DISCHARGE PRESSURE BY A SIMILAR AMOUNT, FOR A GIVEN FLOW. MAXIMUM INLET PRESSURE IS 60 PSI.



The shaded area in both the Performance Data and Heat Rise charts, contains pumps with current levels that are capable of running without periodic cool down. Pumps in this category will generally transfer more water over sustained periods than those in the un-shaded areas, which are required to shut down while the motor cools. Some applications require maximum flows at high pressures for relatively short periods, however, so an explanation of thermal protection follows:

1. The Heat Rise graph plots the highest current that can run without ever leaving the shaded area, in this case ,9.50 amps. All pumps with lower operating currents may also run continuously, unless the surrounding air temperature exceeds 70°F (21°C).
2. The other curve shown is the highest flow and pressure model offered, the 55X3. At 70 PSI, this pump will flow 3.0 GPM, drawing 18.00 amps.
3. The motor driving all of these pump models DOES NOT have built in means of limiting temperature. Instead the user must be aware of the consequences of exceeding a recommended 150°F surface temperature, and of the approximate heating and cooling duration for safe operation. After the initial room temperature heat rise as shown, the model 55X3 reaches the recommended shut off temperature after about 8 minutes of run time, pumping about 24 gallons of water at 70 PSI.
4. Motors of this size and construction require over 40 minutes to cool to 120°F, where it is practical to re-energize the pump. Lower current levels heat more slowly, allowing longer run times, but the cool down time still averages about 30 minutes.
5. Your application may call for short bursts of water, consuming far less than the 8 minutes of sustained operation. Start up current exceeds normal running current, however, so cycling should be limited to 6 times per minute.

ALL PERFORMANCE AND HEAT RISE FIGURES ARE APPROXIMATE. ACTUAL VALUES WILL VARY WITH AMBIENT CONDITIONS.