



## Perfect Arch Guide

Included: Original Arch Shade with Trimming Scale & Arch Holder

FAQ [redishade.com/faq](http://redishade.com/faq)

### 1 Measure

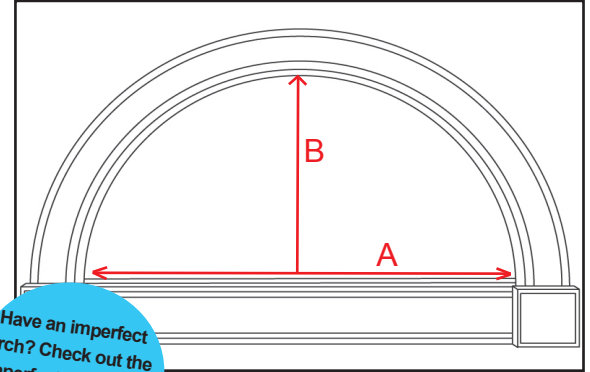
Our trimming scale is designed only for **perfect arches**

To determine if your window is a perfect arch, follow these steps:

- 1) Measure the width (A) and the height (B) to the nearest 1/4" from the inside of the window casing
- 2) If the width (A) is exactly double the height (B) you have a perfect arch window

*Example: If you have a window with a width of 30" and a height of 15", it is a perfect arch. If the height measurement is any larger or smaller than 15" it is an imperfect arch.*

Once you have confirmed you have a **perfect arch**, use the trimming scale on the shade to trim your shade. If you do not have a perfect arch, check the back of this page to see if the Imperfect Arch Guide will work for you.



Have an imperfect arch? Check out the imperfect arch guide on the back for tips!

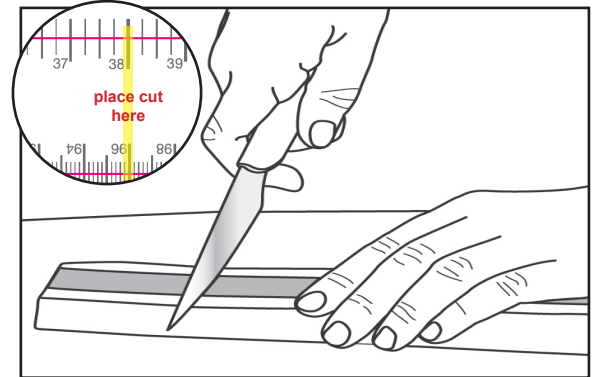
### 2 Trim

Using the exact width (A) from the measurement above, position a straight edge knife blade on the trimming scale at the line matching your width measurement, then trim your shade.

*Note: our patented trimming scale already takes into account size of the shade when fanned to a full width and the clearance deduction for a proper fit inside your window.*

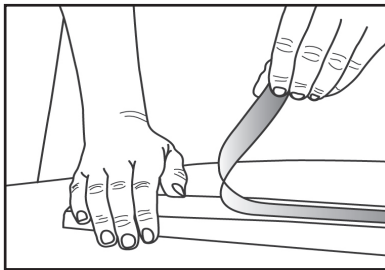
#### Wondering where to place your cut?

With the red instructional text on the left, locate the measurement of your window base to the right of the text (example: window base is 38", trim at the 38" mark).

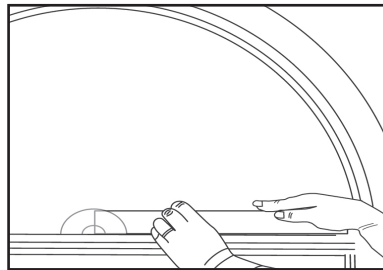


### 3 Install

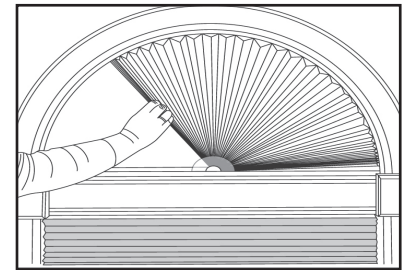
Be sure to install the trimmed section of the shade that has red instructional text rather than the trimmed excess which can be discarded. Adhesive is not recommended for use on varnished, lacquered, or freshly painted surfaces.



1) Peel to remove liner



2) Place shade in included arch holder



3) Fan shade open in window

### 4 Cleaning & Care

Lightly dust or vacuum with brush attachment. To spot clean the fabric arch lightly blot with mild detergent and warm water. The shade is not intended for dry cleaning, spot removers, strong detergent or full water immersion.



## Imperfect Arch Guide

*Please note: Our trimming scale is designed for perfect arches only. This method is for modifying Original Arch shades for slightly imperfect arches. If you have a significantly wide, narrow, or eyebrow arch this product and guide may not work for you. If you do have a specialty arch, we would recommend a custom window treatment.*

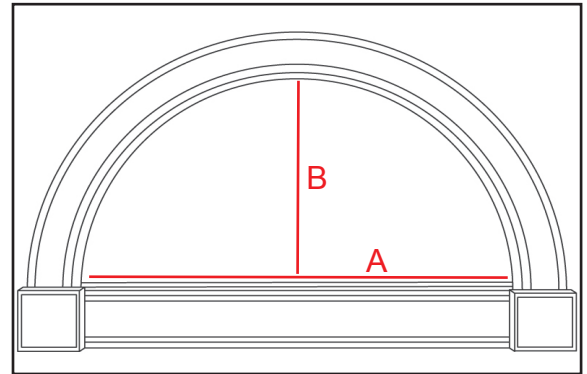
### 1 Measure Your Imperfect Arch

If the other side of these instructions revealed that you have an imperfect arch, follow these steps:

To determine where to cut, take your width (A) and height (B) and compare half of A to B. If half of A is larger than B, trim at the original width measurement. If B is larger than half of A, trim at 2x the width measurement.

*Example: If your window is 30" wide and 14" tall, trim the shade at the 30" mark on the cutting guide. If your window is 30" wide and 16" tall, trim the shade at the 32" mark on the cutting guide.*

We trim at the larger of the two measurements to allow for room to work with when trimming off excess whether your window is taller or wider than a perfect arch.

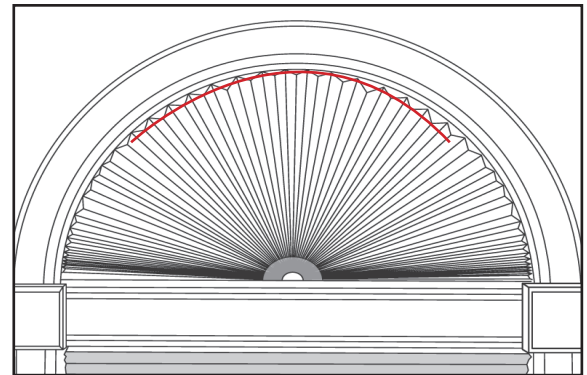


### 2 Trace

With the initial cut made, fan the shade open in the window. **DO NOT** adhere the shade. With a pencil or pen, trace the curvature of the arch on the excess material.

This traced line will allow you to cut off the excess at the top or sides of your shade to make for a perfect fit in your imperfect arch window.

*Example: For this window, half the base is slightly larger than the height. We would trace the curvature of the top of the window to trim the slight excess at the top of the shade.*



### 3 Trim & Install

Remove the traced shade from the window. Using a pair of sharp scissors, cut along the line you made to remove the excess material.

Once the shade has been trimmed, place the shade in the window to ensure it is properly trimmed. Then, install the shade as shown on page 1.

