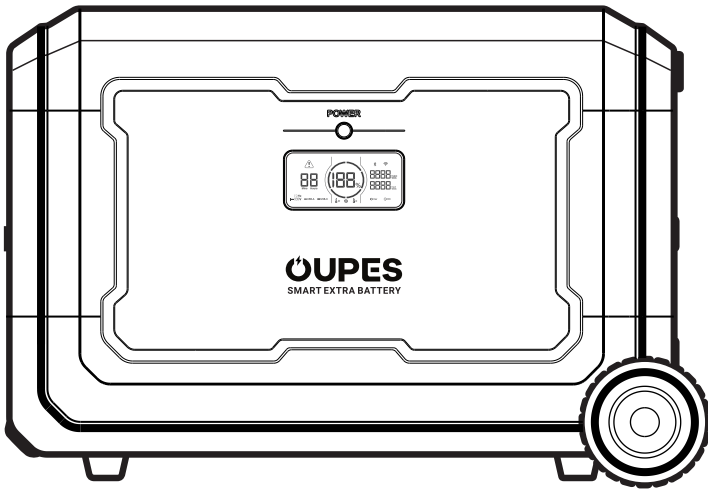


OUPES

OUPES Mega5

SMART EXTRA BATTERY



5040Wh

User Manual

Content

Disclaimer	1
Product List	2
Product Description	3-4
Parameter Specifications	3
Function Description	4
LCD Screen Description	4
Instructions for use	5-6
FAQ	7-8
Fault Code and Trouble Shooting	9
Storage & Maintenance	10

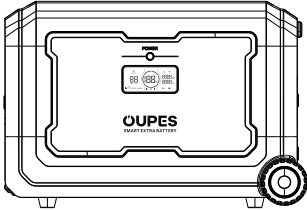
Disclaimer

Please read and fully understand this product user manual before use. And keep it well for future reference. If not use this product correctly, you would cause serious injury to yourself or others, or result in product damage and property damage. Once you use this product, you are deemed to have understood, recognized and accepted all terms and content of this user manual. You are solely responsible for your actions and all consequences arising therefrom. OUPES is not responsible for all the losses caused by the user's failure to use the product in accordance with the User Manual.

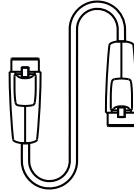
In compliance with laws and regulations, OUPES reserves the right of final interpretation of this document and all related documents of this product. Subject to update, revision or termination without prior notice, please visit official website for the latest product information.

- The Company is not responsible for any damage caused by force majeure (e.g. fire, typhoon, flood, earthquake or customer's negligence, abuse or use in other unusual circumstances).
- The Company is not responsible for the loss caused by the use of non-standard connectors.
- The Company is not responsible for any damages caused by the wrong operation which don't follow the instructions of user manual.

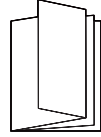
Product List



OUPES Mega5
Smart Extra Battery



Extra Battery Cable



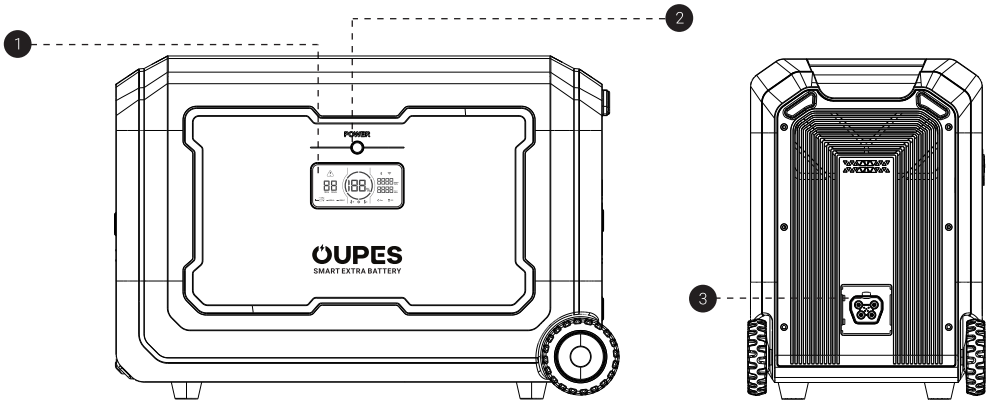
User Manual &
Warranty Card

Product Description

Parameter Specifications

General Info	
Capacity	5040Wh
Dimensions	25.2*11.9*17.2in (641.5*304.5*437.5mm)
Net Weight	43.85KG(96.67lb)
Input	
Extra Battery Port Input	48Vdc 5040W Max
Output	
Extra Battery Port Output	45~54Vdc 5040W Max
Battery Info	
Cell Chemistry	LiFePO ₄
Cycle Life	3500+ cycles
Other	
Working Temperature	0~40°C
Best environmental temperature	20°C~30°C

Function Description

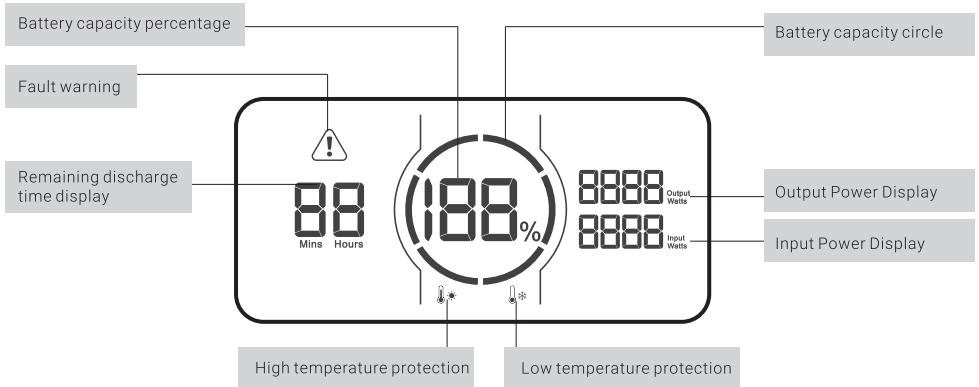


1. LCD Screen

2. Main Power On/Off Switch

3. Fuel Pack Connection Port

LCD Screen Description

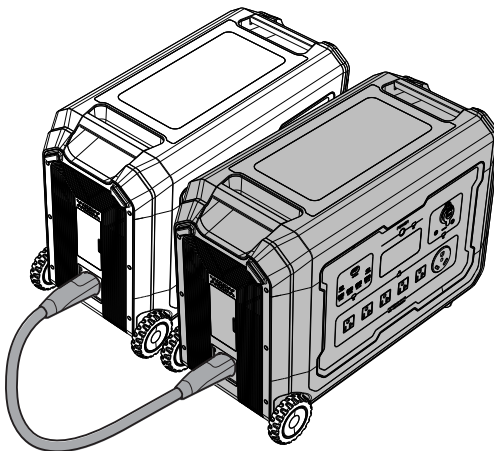


Instructions for use

The LCD Battery Capacity Circle indicates the remaining capacity. The circle has been divided into 6 equal segments, accounting for about 17%~35%~51%~68%~85%~100%.

When discharging, the blue segments of the circle will disappear to the real-time remaining capacity. When recharging, the blue circle will be flashed clockwise along the trajectory, and the digital number on the right of the circle will show you the real-time input charging power. After full charge, the whole blue circle will light up and remain stable. When charging is complete, please unplug the adapter.

Long press the power button, the power station is turned on, the LCD screen lights up, and the power button enters the white light breathing status; long press the power button (about 3 seconds or more), the product shuts down, and the LCD screen goes out.



Notice:

1. Please make sure that both the power pack and the product are turned off before connecting the power pack to this product.
2. After this product is connected to the power pack, make sure that the LCD display of this product shows the input power, and then start to use.
3. Do not directly connect or remove the power pack during the charging and discharging process. If you need to connect or remove the power pack when using, please turn off the power before operating.
4. Do not use your hands or other objects to touch the metal terminals at the connection port of the power pack. If there are foreign objects attached to the metal terminals, please lightly wipe with a dry cloth.
5. This product must be connected to the host to charge.

FAQ

1. What battery does the product use?

It uses high-quality lithium iron phosphate batteries(LiFePO4).

2. What devices can the product's AC output port power?

With 4000W rated power and 7000W peak power, the product's AC output port can power most household appliances. Before you use it, we recommend that you confirm the power of the appliances first and ensure the power sum of all loaded appliances is lower than the rated power.

3. How long can the product charge my devices?

The charging time is shown on the product's LCD Screen, which can be used to estimate the charging time of most appliances with stable power usage.

4. How can I know if the product is charging?

When it's charging, the remaining charging time will be shown on the LCD Screen. Meanwhile, the charging indicator icon begins to rotate with the remaining battery percentage and the input power shown on the right of the circle.

5. How to clean the product?

Please gently wipe it with a dry, soft, clean cloth or paper towel.

6. How to store the product?

Before storing, please turn off the product first, and then store it in a dry, ventilated place at room temperature. Do not place it near water sources. For long-term storage, please discharge and charge it every three months to extend its battery life.






7. Can this product be taken on the plane?

No.

8. Is the actual output capacity of the product consistent with the capacity stated in the user manual?

The capacity indicated in the user manual is the rated capacity of the battery pack of this product. Since this product has a certain efficiency loss during the charging and discharging process, the actual output capacity of the product is lower than the capacity specified in the user manual.

Fault Code and Trouble Shooting

Code	Description	Performance	Trouble Shooting
E002	AC battery low power protection	The corresponding port has no output	Restart the corresponding function button to restore the function and charge in time
E021	Single cell of the battery over-voltage	Capacity percentage flashing	Put the device aside and wait for the cell voltage to recover automatically.
E022	Single cell of the battery low-voltage	Capacity percentage flashing	Connect the AC charging cable and charge until the voltage returns to normal.
E023	The total voltage of the battery is too high	E023 code flashing, but does not turn off the output.	Put the device aside and wait for the cell voltage to recover automatically.
E024	The total voltage of the battery is too low	 flashing, no output	Connect the AC charging cable and charge until the voltage returns to normal.
E025	Battery cell over-temperature	  flashing, no output	Temperature recovery automatic recovery
E026	Battery cell low-temperature	  flashing, no output	Temperature recovery automatic recovery
E027	system overload	The AC icon flashes to turn off the AC function, and the DC output is normal AC load is higher than 4500W or AC+DC loads are higher than 4500W	Need to manually press the AC ON/OFF switch to restore

Storage & Maintenance

1. Please store the product away from water, heat, and metal objects.
2. In order to prolong the service life of the battery, it is recommended to use or store this product in an environment temperature between 20°C to 30°C .
3. For long-term storage, please charge and discharge the product once every 3 months (discharge to 0% first, then fully charge, and then discharge to 60% for long-term storage). Products that have not been charged and discharged for more than 6 months will not be covered under warranty.
4. For safety, do not store this product in an environment temperature above 45°C or below -10°C for a long time.
5. If the product has been idle for too long and the battery is severely low, it will enter a deep sleep protection mode. In such case, please charge the product before using it again.

OUPEŠ