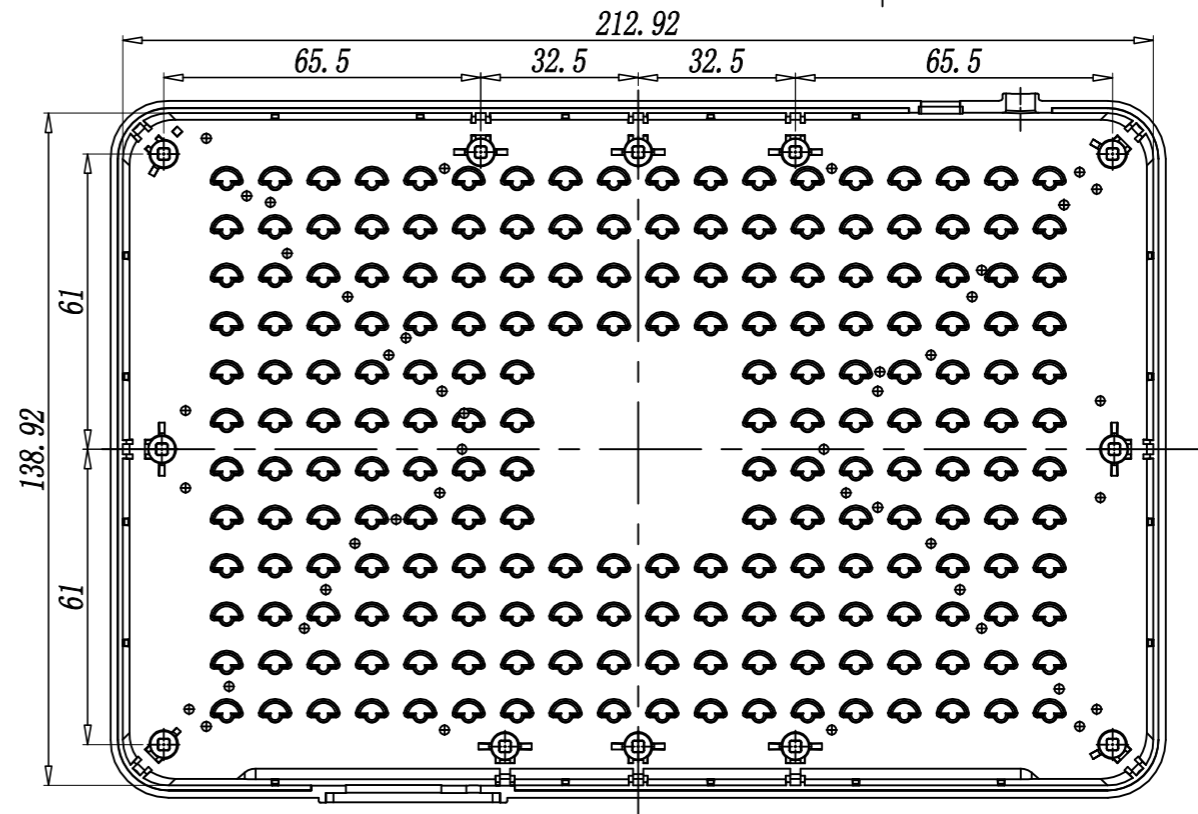
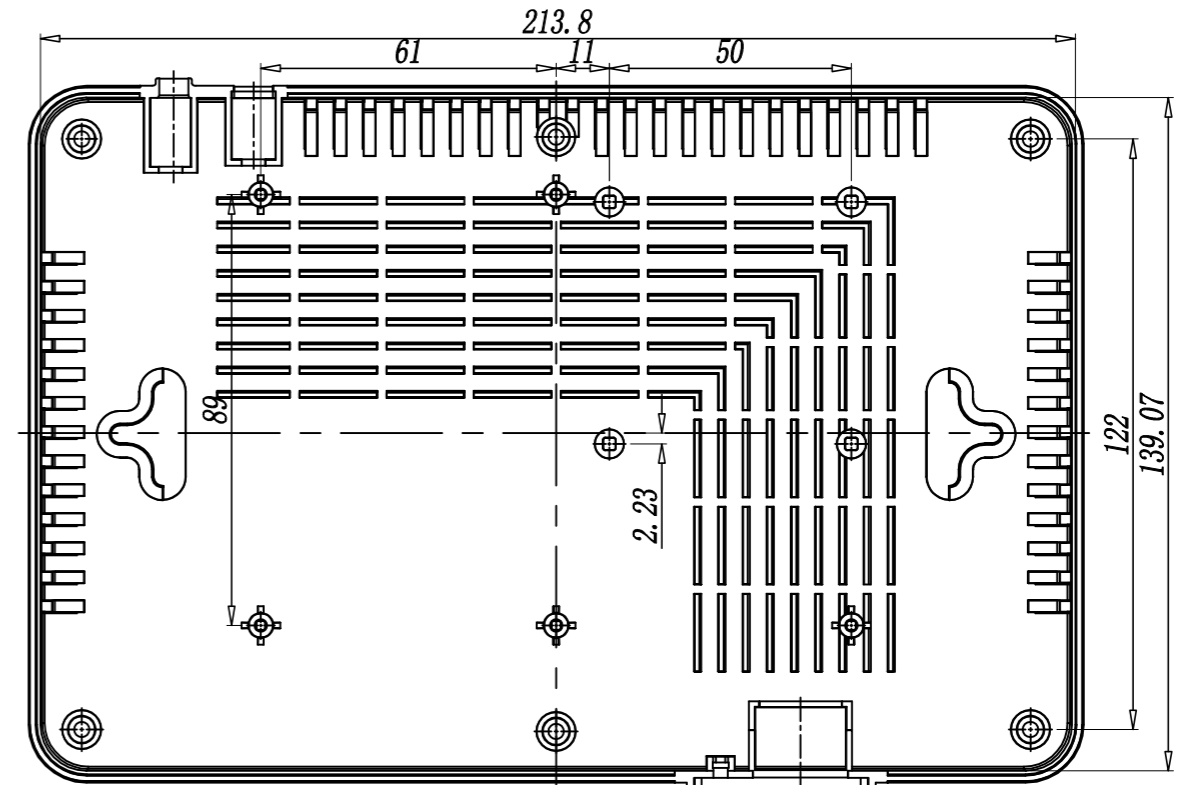
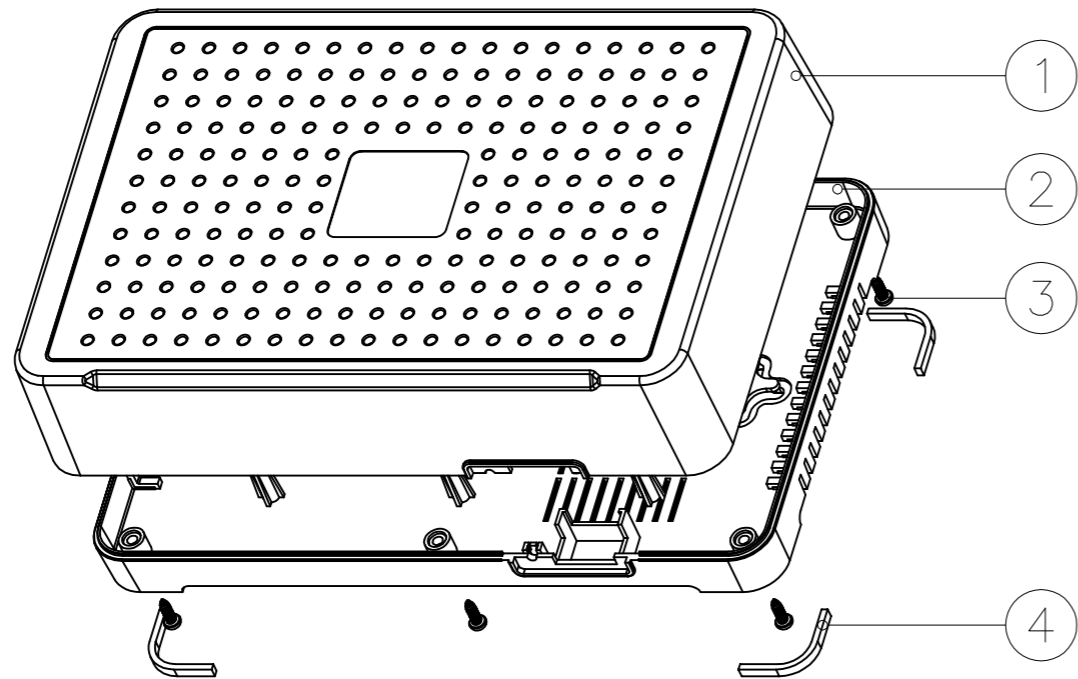


SECTION A-A



4	foot pad	TPE	4	30004-C1
3	screws	STD	4	PA2.6X12
2	bottom cover	ABS	1	30004-B1
1	Uppre cover	ABS	1	30004-A1

Drawing	Auditing	Confirm	Product Name	Desk-top Enclosure	Project View		A
			Product Type	BDC 30004	Drawing Scale	1:1 (MM)	



**BAHAR ENCLOSURE GmbH**